

Non-Clog
Flow-Through
of Solids

CECO Fybroc

FYBROC[®] SERIES 3000

RECESSED IMPELLER HORIZONTAL PUMPS

Corrosion

Resistant FRP

- ✓ Fiberglass Reinforced VR-1 Vinyl Ester

6 Sizes

- ✓ Flows to 2400 GPM
- ✓ Heads to 130 feet TDH

For Heavy Duty

Pumping

Applications

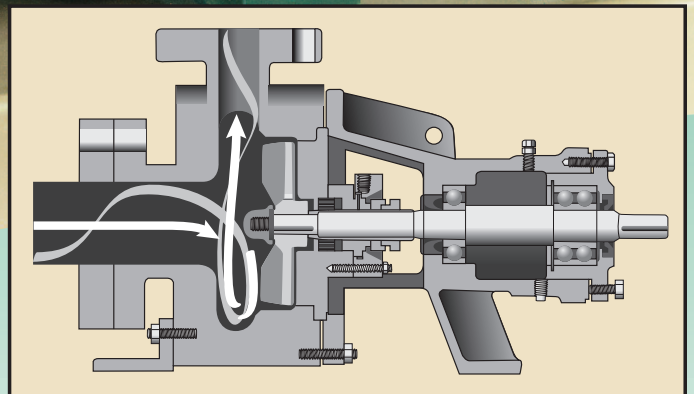
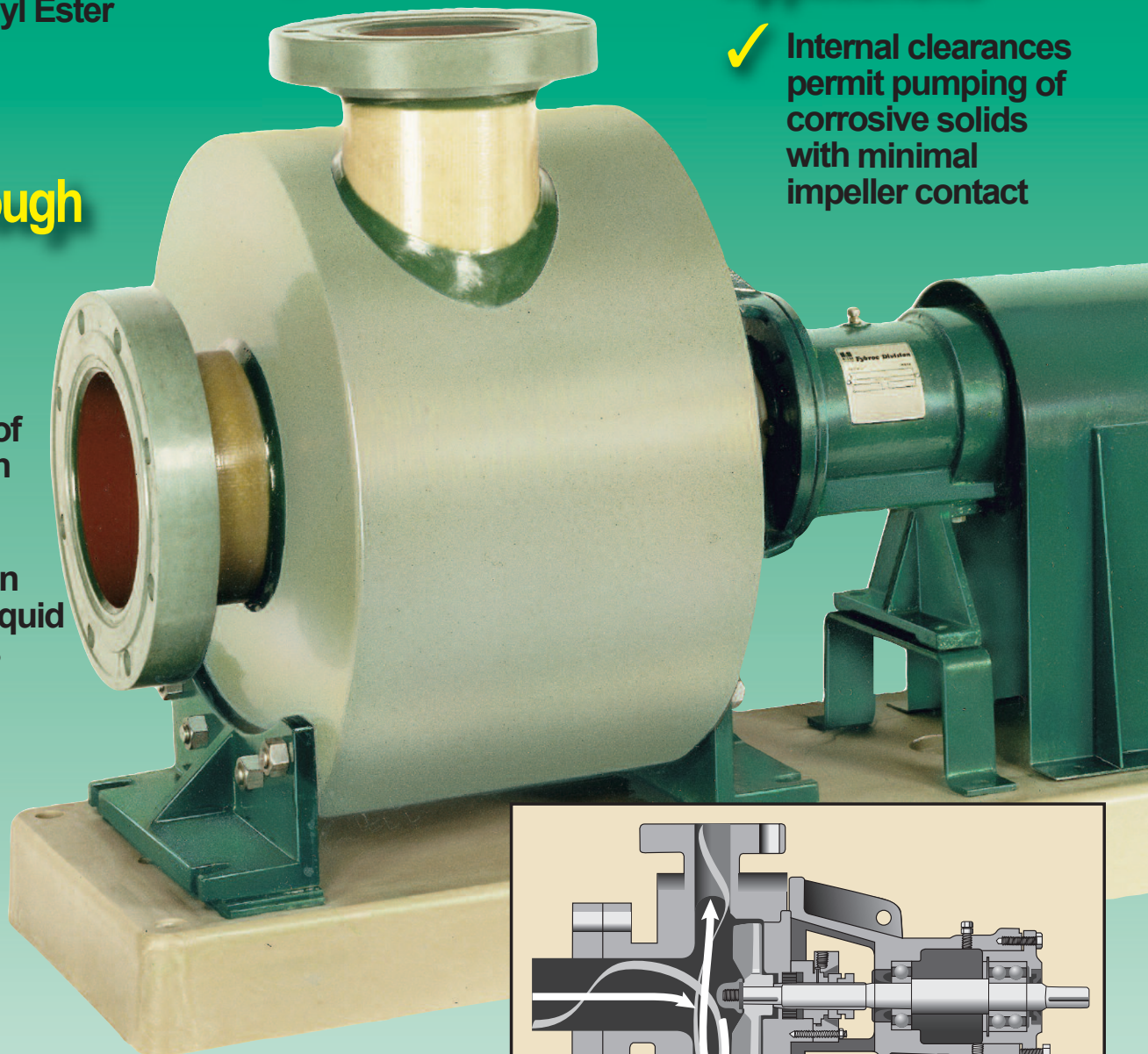
- ✓ Internal clearances permit pumping of corrosive solids with minimal impeller contact

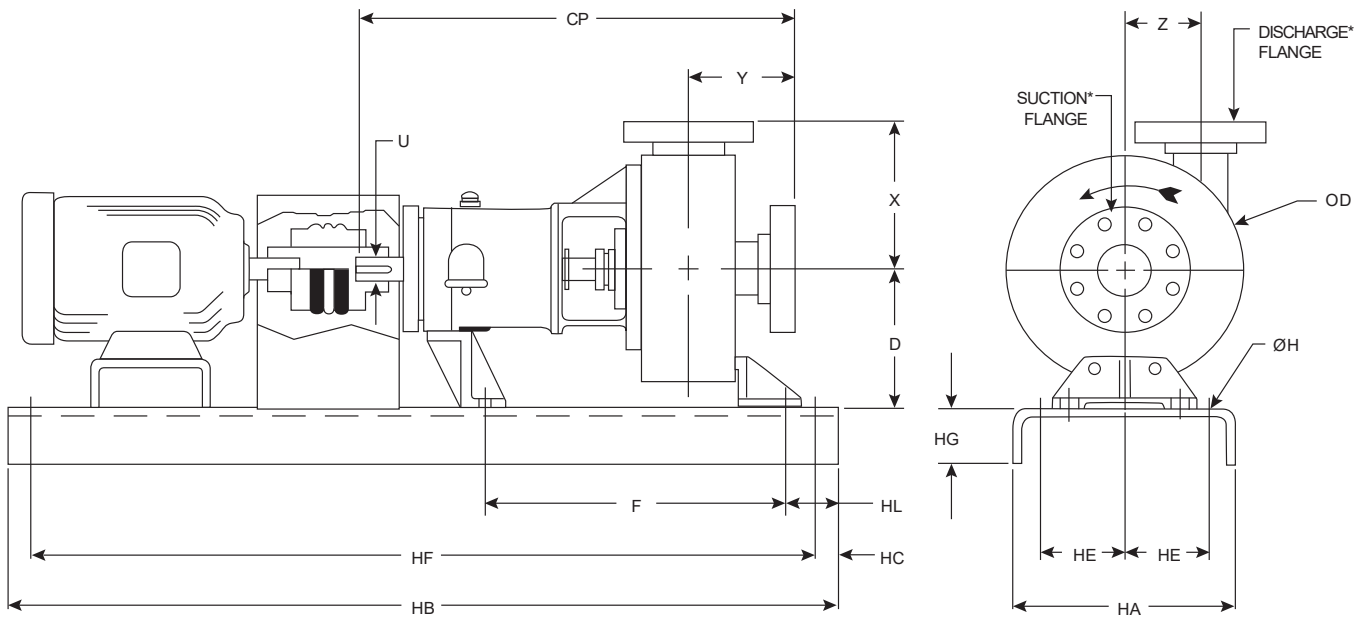
Smooth

Flow-Through

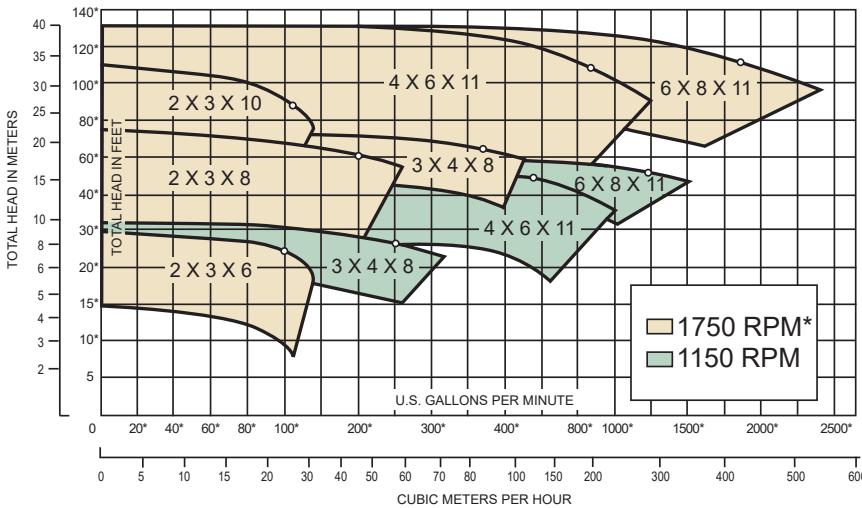
Pumping

- ✓ Impeller located outside of flow path
- ✓ Less than 10% of liquid contacts impeller





PUMP SIZE	SUCT.	DISCH.	D	F	U	X	Y	Z	CP	OD	MOTOR FRAME	HA	HB	HC	HE	HF	HG	HL	H
2X3X6	3	2	5 ¹ / ₄	13 ⁷ / ₁₆	7 ⁷ / ₈	7	4 ¹ / ₂	3	19 ³ / ₄	10	143T-145T	10	39	1 ¹ / ₄	4	36 ¹ / ₂	2 ⁵ / ₈	2 ¹⁵ / ₁₆	3 ³ / ₄
											182T-184T					38 ¹ / ₂			
											213T-215T					40 ¹ / ₂			
2X3X8	3	2	8 ¹ / ₄	19 ⁷ / ₈	1 ¹ / ₈	9 ¹ / ₂	5 ¹ / ₂	4 ¹ / ₄	27 ³ / ₈	14	182T-215T	15	52	1 ¹ / ₄	6	49 ¹ / ₂	3 ¹ / ₂	4	3 ³ / ₄
											254T-256T					55 ¹ / ₂			
											182T-215T					57 ¹ / ₂			
3X4X8	4	3	8 ¹ / ₄	20 ⁵ / ₁₆	1 ¹ / ₈	11	6	4 ¹ / ₂	28 ⁵ / ₈	15	182T-215T	15	52	1 ¹ / ₄	6	49 ¹ / ₂	3 ¹ / ₂	3 ¹ / ₂	3 ³ / ₄
											254T-256T					60			
											182T-215T					57 ¹ / ₂			
2X3X10	3	2	9	18 ¹ / ₈	1 ³ / ₈	11	5	5 ³ / ₈	25 ¹ / ₂	16 ¹ / ₄	182T-184T	15	48	1 ¹ / ₂	6	45	3 ¹ / ₂	2 ¹³ / ₁₆	3 ³ / ₄
											213T-256T					55			
											254T-256T					52			
4X6X11	6	4	11	23 ³ / ₄	1 ⁵ / ₈	12 ¹ / ₂	7	6	32 ¹ / ₈	20 ¹ / ₂	254T-256T	18	68 ¹ / ₂	1 ¹ / ₄	7 ¹ / ₂	66	4	4 ⁵ / ₈	3 ³ / ₄
											284T-326T					70			
											254T-256T					67 ¹ / ₂			
6X8X11	8	6	12 ¹ / ₂	27 ³ / ₄	1 ⁵ / ₈	15 ¹ / ₂	10 ¹ / ₂	5 ³ / ₄	37 ¹³ / ₁₆	23	284T-326T	26	70	2 ¹ / ₂	11	65 ¹ / ₂	4	3	1



Specifications

- ✓ Free-standing concentric casing
- ✓ 150 lb. flanged connection
- ✓ Tangential discharge
- ✓ Semi-open, radial-vaned, non-clog recessed impeller keyed to pump shaft
- ✓ Heavy duty power frame
- ✓ Back pullout design



700 Emlen Way • Telford, PA 18969
 P: 215.723.8155 • TOLL-FREE: 800.392.7621 • F: 215.723.2197
 infoFHS@OneCECO.com • www.cecoenviro.com/fybroc

