



80 SERIES®

*Heavy-Duty Self-Priming
Centrifugal Pumps*



The Pump People®



80 SERIES®

Heavy-Duty Self-Priming Centrifugal Pumps

Gorman-Rupp 80 Series® medium head, mild solids-handling, self-priming centrifugal pumps are designed for non-stop work loads.

The straight-in-suction design of these high efficiency pumps guarantees quick positive priming and allows them to operate at higher suction levels than most other self-priming centrifugal pumps.

The liquid being pumped enters directly into the eye of the impeller, and a suction check valve prevents in-line return flow when the pump is shut off.

And, because they have few moving parts, 80 Series pumps are easy to maintain and service, saving money in the long run.



80 Series® self-priming centrifugal pumps are available in a variety of configurations for all of your industrial, construction, mining, agricultural, municipal and petroleum fluid-handling needs.

High-Efficiency Impeller

80 Series® pumps come equipped with a multi-vane, open impeller for higher efficiencies. Depending on the model, the impeller design will handle up to 2½" solids. These pumps are perfect for mild-solids handling, medium head applications.



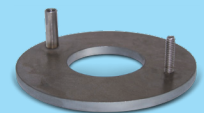
Multiple Seal Options

80 Series pumps are standard with mechanical shaft seals. Grease and gland seals are also available depending on the pumping application. Consult factory for details.



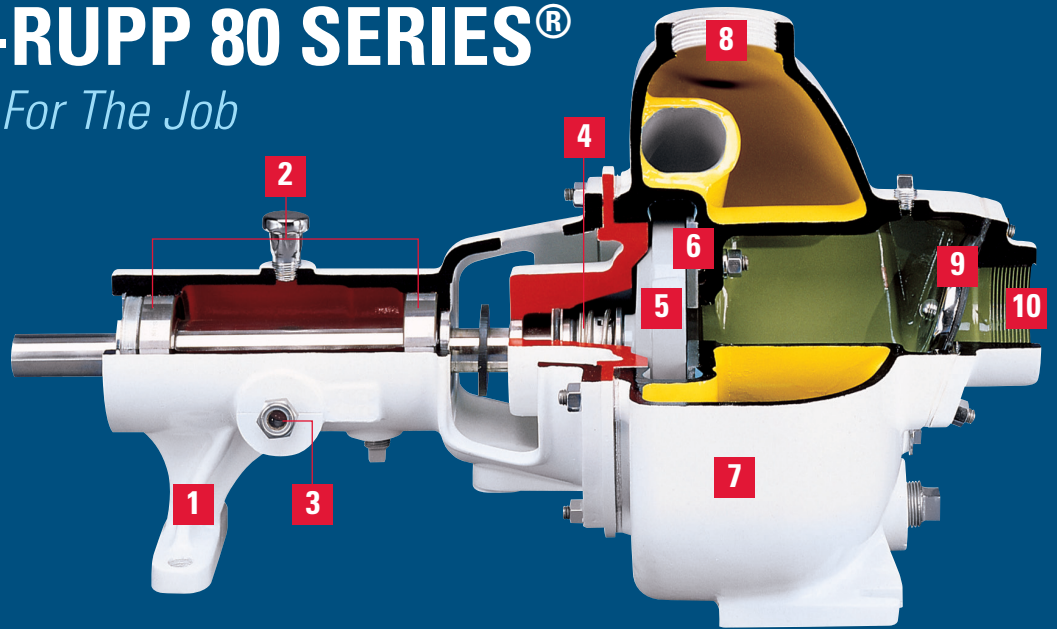
Replaceable Wearplate

The replaceable wearplate is vital in ensuring the pump is operating at peak efficiency around the clock and eliminates the need to replace expensive castings. Wearplates are of extra-thick construction allowing for an extended service life.



GORMAN-RUPP 80 SERIES®

The Right Pump For The Job



- 01** | Heavy-Duty Pedestal
- 02** | Ball Bearings
- 03** | Bearing Oil Monitor
- 04** | Mechanical Shaft Seal
- 05** | Balanced Impeller
- 06** | Replaceable Wearplate
- 07** | Volute
- 08** | Discharge Outlet
- 09** | Suction Check Valve
- 10** | Suction Inlet



OTS noted models are included in the Gorman-Rupp OTS pump program. These products are available anytime, anywhere.

Drive Variations



80 Series®
Basic pump
Size: 1.25" (30 mm) to 6" (150 mm)
Max Capacity: 1860 GPM (117.3 lps)
Max Head: 205' (62.5 m)
Max Solids: 2.5" (63.5 mm)
Seal Elastomer: Viton®
Material of Construction: Cast Iron*



80 Series®
Close-coupled
Shown with explosion-proof motor
Size: 1.25" (30 mm) to 1.5" (38 mm)
Max Capacity: 92 GPM (5.8 lps)
Max Head: 70' (21.3 m)
Seal Elastomer: Viton®
Material of Construction: Cast Iron*



80 Series®
Engine driven
Size: 2" (50 mm) to 6" (150 mm)
Max Capacity: 1860 GPM (117.3 lps)
Max Head: 210' (64.0 m)
Max Solids: 2.5" (63.5 mm)
Seal Elastomer: Viton®
Material of Construction: Cast Iron, Aluminum

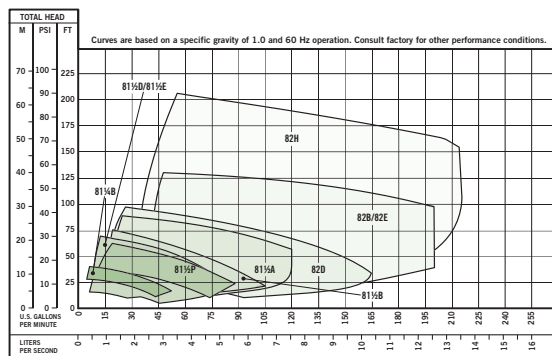


80 Series®
Shield-A-Spark portable engine driven
Size: 2" (50 mm) to 3" (75 mm)
Max Capacity: 395 GPM (24.9 lps)
Max Head: 140' (42.7 m)
Seal Elastomer: Viton®
Material of Construction: Aluminum
Engines: Gasoline, Diesel

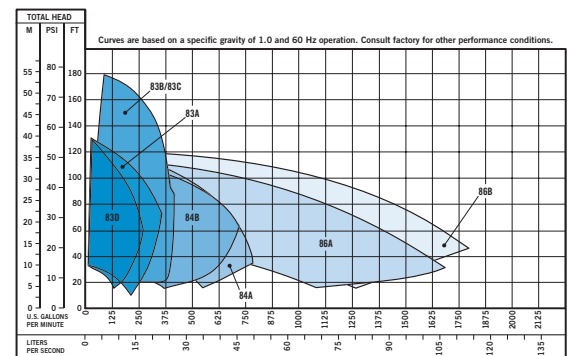
*Some models available in additional materials. Consult factory for details.

Pump Performance Data

1¼" to 2" Models



3" to 6" Models



Viton® is a registered trademark of DuPont Performance Elastomers. All rights reserved.

FLUID-HANDLING EQUIPMENT DESIGNED WITH YOUR NEEDS IN MIND



★ Manufacturing Facilities

● Distribution Centers

Gorman-Rupp USA
Mansfield, Ohio, USA

Gorman-Rupp Canada
St. Thomas, Ontario, Canada

Gorman-Rupp Europe
Waardenburg, Netherlands
Namur, Belgium

Gorman-Rupp Africa
Cape Town, South Africa
Durban, South Africa
Johannesburg, South Africa (Headquarters)

Distribution Centers

Dubai, United Arab Emirates
Grand Prairie, Texas, USA

Engineering and manufacturing superiority has been the hallmark of Gorman-Rupp since our inception in 1933. Today we bring our products to life in some of the most efficient, modern and state-of-the-art manufacturing facilities in the world. Gorman-Rupp has a selection of nearly 3,000 pump models, and our world-class team of distributors has worked closely with thousands of end users around the world. We have the proven expertise and the resources to specify, manufacture, test and service your pump, and to ensure reliable performance for the long haul.



GORMAN-RUPP PUMPS

P.O. BOX 1217

MANSFIELD, OHIO 44901-1217 | USA
TEL: 419.755.1011 | FAX: 419.755.1251

GRPUMPS.COM



The Pump People®

Product information is subject to change; consult factory for details. All images are for illustrative purposes only. Actual product may vary from printed representation.
© 2008-2020 The Gorman-Rupp Company. All rights reserved. Printed in the USA