



**TECHNICAL BROCHURE**

BeSV60 R4

# e-SV™ 60 Hz Technical Manual

E-SV SERIES VERTICAL MULTI-STAGE PUMPS

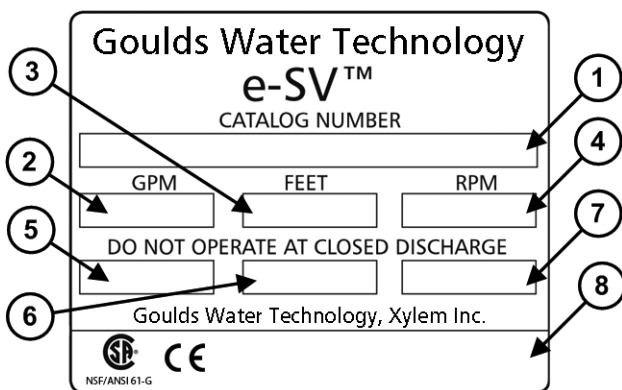
 **GOULDS**  
WATER TECHNOLOGY  
a xylem brand



### Contents

|   |       |
|---|-------|
| Coverage Curves . . . . .                                       | 4     |
| General Market Specifications . . . . .                         | 5     |
| Characteristics of 1-22SV Series . . . . .                      | 6     |
| Characteristics of 33-125SV Series . . . . .                    | 6     |
| General Characteristics . . . . .                               | 7     |
| Typical Applications of e-SV Pumps . . . . .                    | 8     |
| e-SV Nomenclature . . . . .                                     | 9-12  |
| 1-22SV Series Pump Cross Section and Main Components . . . . .  | 13-14 |
| 33-92SV Series Pump Cross Section and Main Components . . . . . | 15-16 |
| 125SV Series Pump Cross Section and Main Components . . . . .   | 17-18 |
| e-SV Mechanical Seals . . . . .                                 | 19    |
| Maximum Allowable Working Pressure Charts . . . . .             | 20    |
| Maximum Inlet Pressure / Motor Data - Starts Per Hour . . . . . | 21    |
| Motor Data . . . . .  | 21-25 |
| 3500 RPM Curves, Dimensions and Weights . . . . .               | 26-47 |
| 1750 RPM Curves, Dimensions and Weights . . . . .               | 48-69 |
| Horizontal Mounting Options . . . . .                           | 70-73 |
| Table of Hydraulic Performances at 3500 RPM . . . . .           | 74-79 |
| Table of Hydraulic Performances at 1750 RPM . . . . .           | 80-85 |
| Technical Appendix . . . . .                                    | 86-88 |

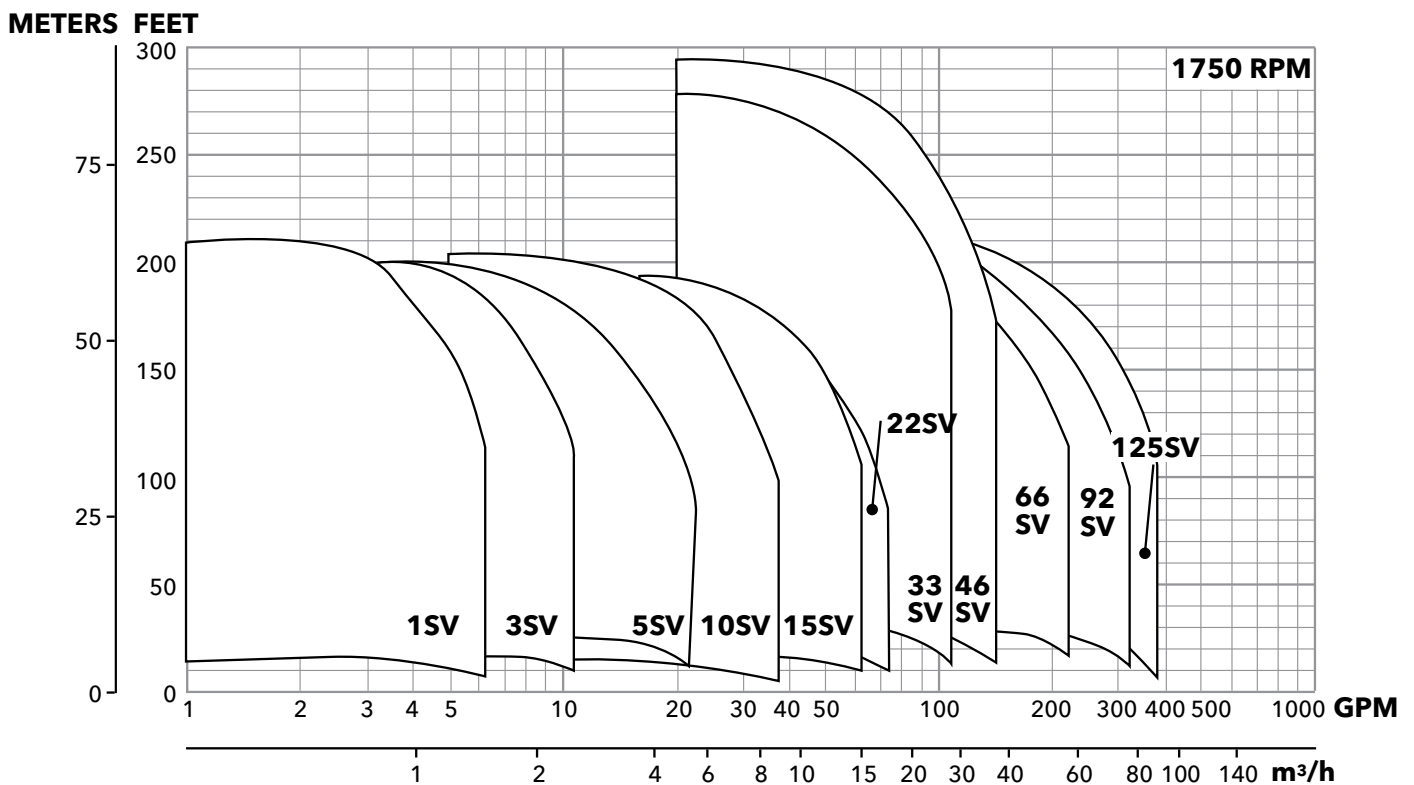
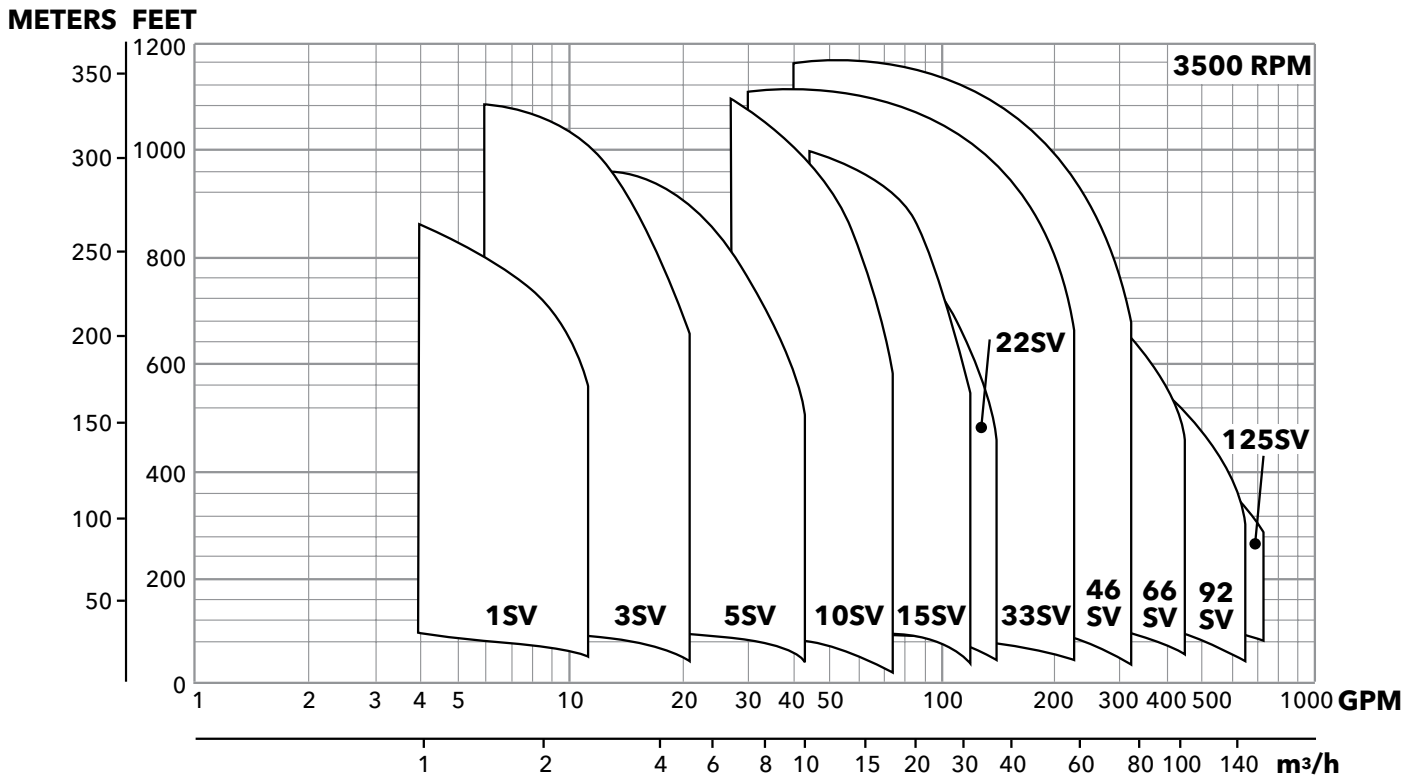
### e-SV Rating Plate



|   |  |
|---|--|
| 1 | Goulds Water Technology Catalog Number |
| 2 | Capacity Range                         |
| 3 | TDH Range                              |
| 4 | Rated Speed                            |
| 5 | Rated Horsepower                       |
| 6 | Maximum Operating Pressure             |
| 7 | Maximum Operating Temperature          |
| 8 | Pump Serial Number                     |

## Commercial Water

### e-SV Coverage Curve



### e-SV General Market Specifications

MUNICIPAL, AGRICULTURAL, LIGHT INDUSTRY,  
WATER TREATMENT, HEATING AND AIR CONDITIONING

#### Applications

- Handling of water, free of suspended solids, in the municipal, industrial and agricultural markets
- Pressure boosting and water supply systems
- Fire fighting jockey pumps
- Irrigation systems
- Wash systems
- Water treatment plants: reverse osmosis
- Handling of moderately aggressive liquids, demineralized water, water and glycol, etc.
- Circulation of hot and cold water for heating, cooling and conditioning systems
- Boiler feed

#### Specifications

##### PUMP

The e-SV pump is a non-self priming vertical multistage pump coupled to a standard motor.

The liquid end, located between the upper cover and the pump casing, is held in place by tie rods. The pump casing is available with different configurations and connection types.

- Delivery: up to 725 GPM
- Head: up to 1200 feet
- Temperature of pumped liquid:
  - 20°F to 250°F (-30°C to 120°C) standard version
- Optional temperature range up to 300°F (149°C) high temperature version
- Maximum operating pressure
  - SV1-22 with oval flanges: 230 PSI (16 bar)
  - SV1-22 with round flanges or Victaulic: 360 or 575 PSI (25 or 40 bar)
  - SV33, 46: 360 or 580 PSI (25 or 40 bar)\*
  - SV 66, 92: 360 or 580 PSI (25 or 40 bar)\*
  - SV 125: 360 or 580 PSI (25 or 40 bar)
- Direction of rotation: clockwise looking at the pump from the top down (marked with an arrow on the adapter and on the coupling).

##### MOTOR

- Standard NEMA TC Frame motors in open drip proof or totally enclosed fan cooled.
- 3500 RPM nominal
- Standard voltage:
  - Single phase version: 115-208/230 V, 60 Hz up to 3 HP or 208-230 V for 5 HP
  - Three phase version, 2 pole: 208-230/460 V, 60 Hz up 75 HP

\* Based on pump staging

### e-SV Characteristics

#### 1SV, 3SV, 5SV, 10SV, 15SV, 22SV Series

- Vertical multistage centrifugal pump. All metal parts in contact with the pumped liquid are made of stainless steel.
- The following versions are available:
  - F - ANSI flanges, in-line delivery and suction ports, AISI 304
  - T - Oval flanges (NPT), in-line delivery and suction ports, AISI 304
  - R - ANSI flanges, delivery port above the suction port, with four adjustable positions, AISI 304
  - N - ANSI flanges, in-line delivery and suction ports, AISI 316
  - P - Victaulic couplings, in-line delivery and suction ports, AISI 316
  - G - ANSI flange, in-line delivery and suction ports, Class 35/40B cast iron.
  - C - ISO clamp, AISI 316
- Innovative axial load compensation system on pumps with higher head. This ensures reduced axial thrusts and enables the use of standard NEMA TC motors that are easily found in the market.
- Seal housing chamber designed to prevent the accumulation of air in the critical area next to the mechanical seal
- Mechanical seal according to EN 12756 (ex DIN 24960) and ISO 3069
- Versions with ANSI flanges that can be coupled to ANSI raised face counter-flanges
- Threaded oval counter-flanges made of stainless steel are standard supply for the T versions
- Easy maintenance. No special tools required for assembly or disassembly
- Standard version for temperatures ranging from: -20°F to 250°F (30°C to 120°C)

#### 33SV, 46SV, 66SV, 92SV, 125SV Series

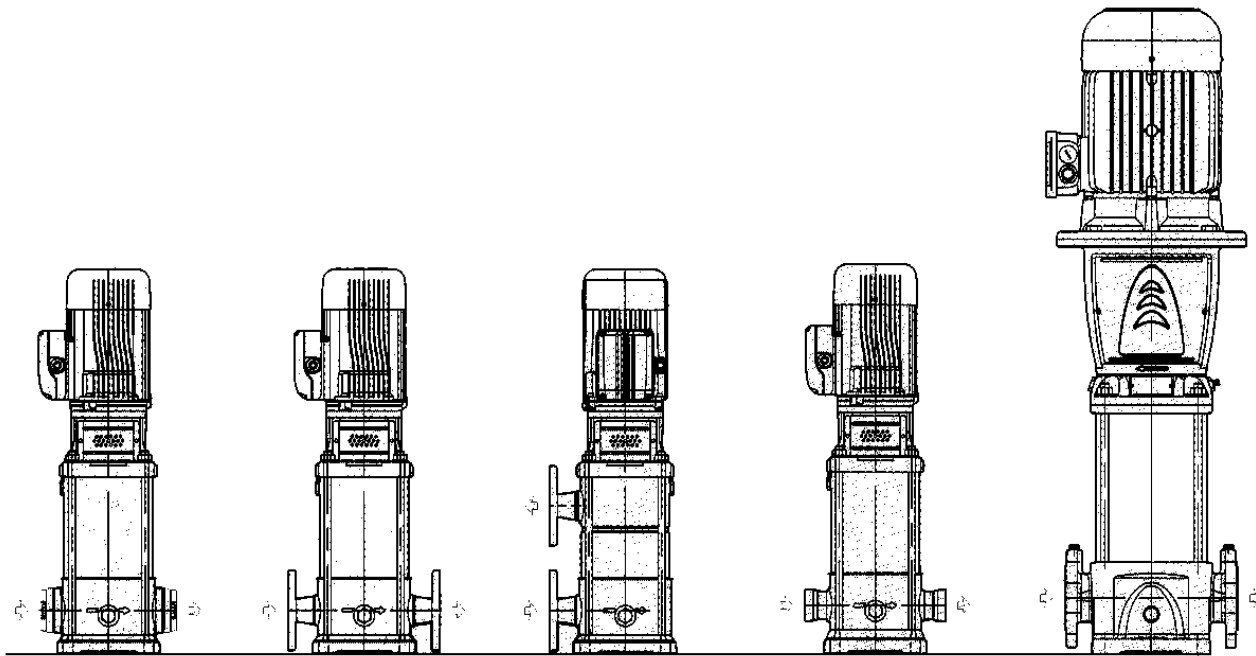
- Vertical multistage centrifugal pump with impellers, diffusers and outer sleeve made entirely of stainless steel, and with pump casing and motor adapter made of cast iron in the standard version
- Rotating components made entirely of AISI 316 stainless steel
- High heads and capacities five sizes: 33SV, 46SV, 66SV, 92SV, 125SV
- Re-designed liquid end provides improved efficiency and energy savings
- Innovative axial load compensation system on pumps with higher head. This ensures reduced axial thrusts and enables the use of standard NEMA TC motors that are easily found in the market.
- Balanced mechanical seal according to EN 12756 (ex DIN 24960) and ISO 3069, which can be replaced without removing the motor from the pump
- Seal housing chamber designed to prevent the accumulation of air in the critical area next to the mechanical seal
- Standard version for temperature ranging from: -20°F to 250°F (-30°C to 120°C)
- Pump body fitted with taps for installing pressure gauges on both suction and delivery flanges
- In-line ports with ANSI flanges that can be coupled to counter-flanges, in compliance with ANSI raised face.
- Mechanical sturdiness and easy maintenance. No special tools required for assembly or disassembly.

#### Optional Features

- Horizontal version
- Special voltages, 50 Hz frequency
- Special materials for the mechanical seal, gaskets and elastomers
- Tropicalized motors
- Premium E and explosion proof motors
- 1750 RPM, 4 pole motors
- Passivation

## Commercial Water

### General Characteristics - 2-pole



**SERIES SVT**  
1SV, 3SV, 5SV,  
10SV, 15SV, 22SV

**SERIES SVF, SVN**  
1SV, 3SV, 5SV,  
10SV, 15SV, 22SV

**SERIES SVR**  
1SV, 3SV, 5SV,  
10SV, 15SV, 22SV

**SERIES SVP**  
**VICTAULIC**  
1SV, 3SV, 5SV,  
10SV, 15SV, 22SV

**SERIES SVG, SVN**  
33SV, 46SV, 66SV,  
92SV, 125SV

| e-SV Product Range                     | 1SV                                    | 3SV         | 5SV         | 10SV       | 15SV       | 22SV                           | 33SV            | 46SV           | 66SV           | 92SV           | 125SV          |
|--|--|-------------|-------------|------------|------------|--------------------------------|-----------------|----------------|----------------|----------------|----------------|
| Nominal Flow (GPM)                     | 9                                      | 15          | 30          | 50         | 80         | 110                            | 150             | 220            | 350            | 450            | 600            |
| Flow Range(GPM)                        | 2-12                                   | 3-22        | 7-45        | 9-75       | 18-125     | 21-150                         | 30-195          | 45-285         | 70-420         | 90-580         | 120-700        |
| Max. Head (Ft)                         | 860                                    | 1085        | 975         | 1150       | 1060       | 880                            | 1125            | 1210           | 850            | 715            | 570            |
| Max. Working Pressure (PSIG)           | 580                                    |             |             |            |            | 360/580                        |                 |                |                |                |                |
| Temperature Range (°F)                 | Standard -20°F - 250°F (-30°C - 121°C) |             |             |            |            |                                |                 |                |                |                |                |
| High Temp Option                       | up to 300°F (150°C)                    |             |             |            |            |                                | -               |                |                |                |                |
| Motor Power [HP]                       | ½ - 5 HP                               | ½ - 7½      | ¾ - 10      | ¾ - 20     | 2 - 25     | 3 - 30                         | 3 - 60          | 7½ - 75        | 10 - 75        | 15 - 75        | 20 - 75        |
| Max Pump Efficiency                    | 51%                                    | 60%         | 70%         | 70%        | 70%        | 71%                            | 76%             | 78%            | 78%            | 80%            | 79%            |
| Materials of Construction              |  |             |             |            |            |                                |                 |                |                |                |                |
| SVT                                    | 304 SS                                 |             |             |            |            | -                              |                 |                |                |                |                |
| SVF                                    | 304 SS                                 |             |             |            |            | -                              |                 |                |                |                |                |
| SVN                                    | 316L SS                                |             |             |            |            | Cast Stainless Steel / 316L SS |                 |                |                |                |                |
| SVR                                    | 304 SS                                 |             |             |            |            | -                              |                 |                |                |                |                |
| SVP                                    | 316L SS                                |             |             |            |            | -                              |                 |                |                |                |                |
| SVC                                    | 316L SS                                |             |             |            |            | -                              |                 |                |                |                |                |
| SVG                                    | ASTM Class 35/40B Cast Iron / 304 SS   |             |             |            |            |                                |                 |                |                |                |                |
| Connection Sizes                       |  |             |             |            |            |                                |                 |                |                |                |                |
| SVT - Oval NPT                         | 1¼"                                    | 1¼"         | 1¼"         | 2"         | 2"         | 2"                             | -               |                |                |                |                |
| SVF - Round ANSI Size/Class            | 1¼"<br>300#                            | 1¼"<br>300# | 1¼"<br>300# | 2"<br>300# | 2"<br>300# | 2"<br>300#                     | -               |                |                |                |                |
| SVN - Round ANSI Size/Class            | 1¼"<br>300#                            | 1¼"<br>300# | 1¼"<br>300# | 2"<br>300# | 2"<br>300# | 2"<br>300#                     | 2½"<br>150/300# | 3"<br>150/300# | 4"<br>150/300# | 4"<br>150/300# | 5"<br>150/300# |
| SVR - Top/Bottom Round ANSI Size/Class | 1¼"<br>300#                            | 1¼"<br>300# | 1¼"<br>300# | 2"<br>300# | 2"<br>300# | 2"<br>300#                     | -               |                |                |                |                |
| SVP - Victaulic                        | 1¼"                                    | 1¼"         | 1¼"         | 2"         | 2"         | 2"                             | -               |                |                |                |                |
| SVC - Clamp                            | 1½"                                    | 1½"         | 1½"         | 2"         | 2"         | 2"                             | -               |                |                |                |                |
| SVG - Cast Iron Size/Class             | 1¼"<br>250#                            | 1¼"<br>250# | 1¼"<br>250# | 2"<br>250# | 2"<br>250# | 2"<br>250#                     | 2½"<br>125/250# | 3"<br>125/250# | 4"<br>125/250# | 4"<br>125/250# | 5"<br>125/250# |



## Commercial Water

### Typical Applications of e-SV Series Multi-Stage Pumps

#### Water Supply and Pressure Boosting

- Pressure boosting in buildings, hotels, residential complexes
- Pressure booster stations, supply of water networks
- Booster packages

#### Water Treatment

- Ultra filtration systems
- Reverse osmosis systems
- Water softeners and de-mineralization
- Distillation systems
- Filtration

#### Light Industry

- Washing and cleaning plants (washing and degreasing of mechanical parts, car and truck wash tunnels, washing of electronic industry circuits)
- Commercial washers
- Fire fighting system pumps

#### Irrigation and Agriculture

- Greenhouses
- Humidifiers
- Sprinkler irrigation

#### Heating, Ventilation and Air Conditioning (HVAC)

- Cooling towers and systems
- Temperature control systems
- Refrigerators
- Induction heating
- Heat exchangers
- Boilers
- Water recirculation and heating





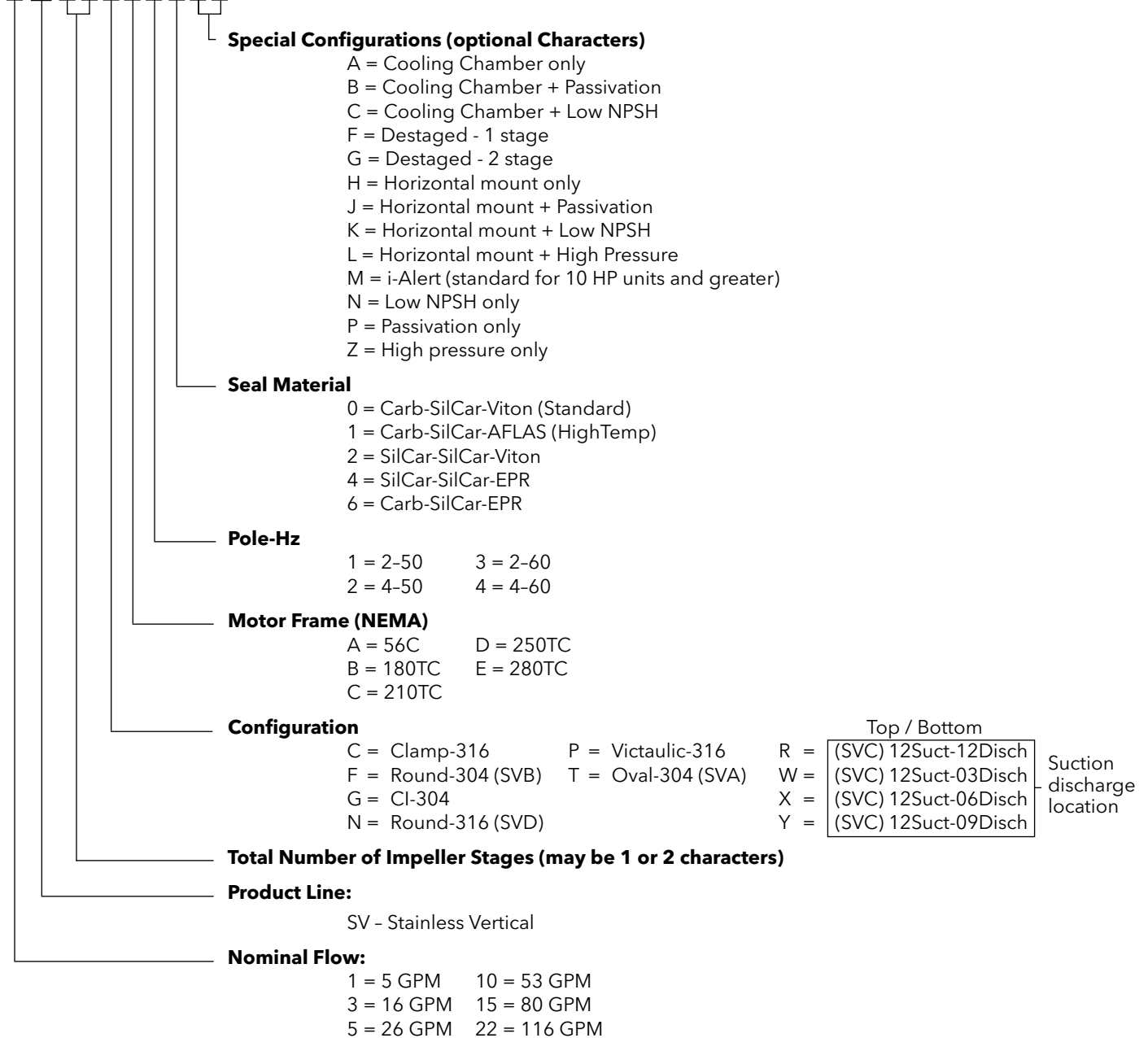
## Commercial Water

### e-SV Product Line Numbering System for 1 - 22SV Liquid End Only

The various versions of the e-SV line are identified by a product code number on the pump label. This number is also the catalog number for the pump. The meaning of each digit in the product code number is shown below.  
Note: Not all combinations are possible.

#### Example Product Code

22 SV 0 2 F E 3 0



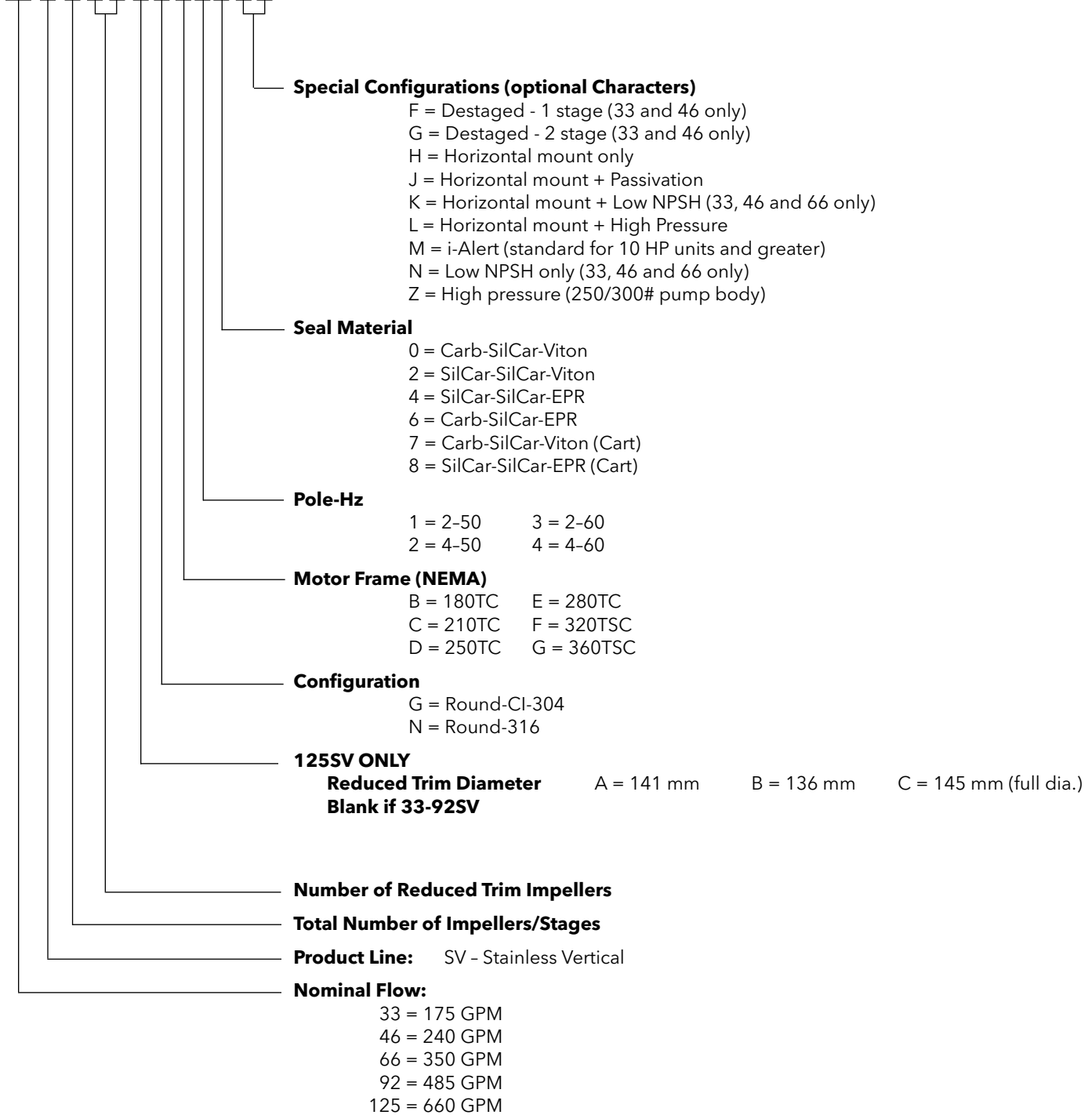
### e-SV Product Line Numbering System for 33 - 125SV Liquid End Only

The various versions of the e-SV line are identified by a product code number on the pump label. This number is also the catalog number for the pump. The meaning of each digit in the product code number is shown below.

Note: Not all combinations are possible.

#### Example Product Code

125 SV 8 1 2 B F E 2 0



## Commercial Water

### e-SV Product Line Numbering System for 1 - 22SV Pump & Motor Combination

The various versions of the e-SV line are identified by a product code number on the pump label. This number is also the catalog number for the pump. The meaning of each digit in the product code number is shown below.

Note: Not all combinations are possible.

#### Example Product Code

2 SV 2 2 F A 2 F 5 1 A H

#### Special Configurations (1 or 2 Characters)

A = Cooling Chamber only  
 B = Cooling Chamber + Passivation  
 C = Cooling Chamber + Low NPSH  
 F = Destaged - 1 stage  
 G = Destaged - 2 stage  
 H = Horizontal mount only  
 J = Horizontal mount + Passivation

K = Horizontal mount + Low NPSH  
 L = Horizontal mount + High Pressure  
 M = i-Alert (standard for 10 HP units and greater)  
 N = Low NPSH only  
 P = Passivation only  
 Z = High Press (250/300# pump body)

#### Seal Material

0 = Carb-SilCar-Viton  
 1 = Carb-SilCar-AFLAS (HighTemp)  
 2 = SilCar-SilCar-Viton

4 = SilCar-SilCar-EPR  
 6 = Carb-SilCar-EPR

#### Motor Enclosure

1 = ODP  
 2 = TEFC  
 3 = X-Proof  
 4 = WD - Tropical  
 5 = Prem-ODP  
 6 = Prem-TEFC  
 7 = Prem-XP  
 8 = Prem-WD  
 9 = Marine  
 A = Chem  
 B = Prem-Chem

#### Voltage

A = 115-230  
 B = 230  
 C = 230-460  
 D = 460  
 E = 575  
 F = 208-230/460  
 G = 200  
 H = 190/380  
 J = 115/208-230  
 K = 208  
 L = 208-230  
 M = 190/380/415  
 N = 380  
 P = 110/220  
 R = 220  
 S = 415  
 T = 220/380 WYE  
 U = 380-660 WYE  
 V = 208-230/460 WYE  
 W = 220/380/440

#### Pole-Hz-Phase

1 = 2-50-1  
 2 = 2-50-3  
 3 = 2-60-1  
 4 = 2-60-3  
 5 = 4-50-1  
 6 = 4-50-3  
 7 = 4-60-1  
 8 = 4-60-3

#### HP Rating

A = 0.50  
 B = 0.75  
 C = 1.00  
 D = 1.50  
 E = 2  
 F = 3  
 G = 5  
 H = 7.5  
 J = 10  
 K = 15  
 L = 20  
 M = 25  
 N = 30  
 P = 40

#### Configuration OPTION

C = Clamp-316  
 F = Round-304 (SVB)  
 G = CI-304  
 N = Round-316 (SVD)  
 P = Victaulic-316  
 T = Oval-304 (SVA)

Top / Bottom  
 R = (SVC) 12Suct-12Disch  
 W = (SVC) 12Suct-03Disch  
 X = (SVC) 12Suct-06Disch  
 Y = (SVC) 12Suct-09Disch

Suction discharge location

#### Total Number of Impeller Stages (may be 1 or 2 characters)

#### Product Line:

SV - Stainless Vertical

#### Nominal Flow:

1 = 5 GPM  
 3 = 16 GPM  
 5 = 26 GPM  
 10 = 53 GPM  
 15 = 80 GPM  
 22 = 116 GPM

### e-SV Product Line

### Numbering System for 33 - 125SV Pump & Motor Combination

The various versions of the e-SV line are identified by a product code number on the pump label. This number is also the catalog number for the pump. The meaning of each digit in the product code number is shown below.

Note: Not all combinations are possible.

#### Example Product Code

125 SV 8 2 A G K 3 F 2 0

#### Special Configurations (1 or 2 Characters)

- F = Destaged - 1 stage (33 and 46 only)
- G = Destaged - 2 stage (33 and 46 only)
- H = Horizontal mount only
- J = Horizontal mount + Passivation
- K = Horizontal mount + Low NPSH
- L = Horizontal mount + High Pressure
- M = i-Alert (standard for 10 HP units and greater)
- N = Low NPSH only (33, 46 and 66 only)
- P = Passivation only
- Z = High Press (250/300# pump body/Casing)

#### Seal Material

- 0 = Carb-SilCar-Viton
- 2 = SilCar-SilCar-Viton
- 4 = SilCar-SilCar-EPR
- 6 = Carb-SilCar-EPR
- 7 = Carb-SilCar-Viton (Cart)
- 8 = SilCar-SilCar-EPR (Cart)

#### Motor Enclosure

- 1 = ODP
- 2 = TEFC
- 3 = X-Proof
- 4 = WD - Tropical
- 5 = Prem-ODP
- 6 = Prem-TEFC
- 7 = Prem-XP
- 8 = Prem-WD
- 9 = Marine
- A = Chem
- B = Prem-Chem

#### Voltage

- A = 115-230
- B = 230
- C = 230-460
- D = 460
- E = 575
- F = 208-230/460
- G = 200
- H = 190/380
- J = 115/208-230
- K = 208
- L = 208-230
- M = 190/380/415
- N = 380
- P = 110/220
- R = 220
- S = 415
- T = 220/380 WYE
- U = 380-660 WYE
- V = 208-230/460 WYE

#### Pole-Hz-Phase

- 1 = 2-50-1
- 2 = 2-50-3
- 3 = 2-60-1
- 4 = 2-60-3
- 5 = 4-50-1
- 6 = 4-50-3
- 7 = 4-60-1
- 8 = 4-60-3

#### HP Rating

- F = 3
- G = 5
- H = 7.5
- J = 10
- K = 15
- L = 20
- M = 25
- N = 30
- P = 40
- R = 50
- S = 60
- T = 75

#### Configuration

- G = Round-CI-304
- N = Round-316

#### 125SV ONLY

- Reduced Trim Diameter**      A = 141 mm      B = 136 mm      C = 145 mm (full dia.)
- Blank if 33-92SV**

#### Number of Reduced Trin Impeller

#### Total Number of Impeller Stages (may be 1 or 2 characters)

#### Product Line:

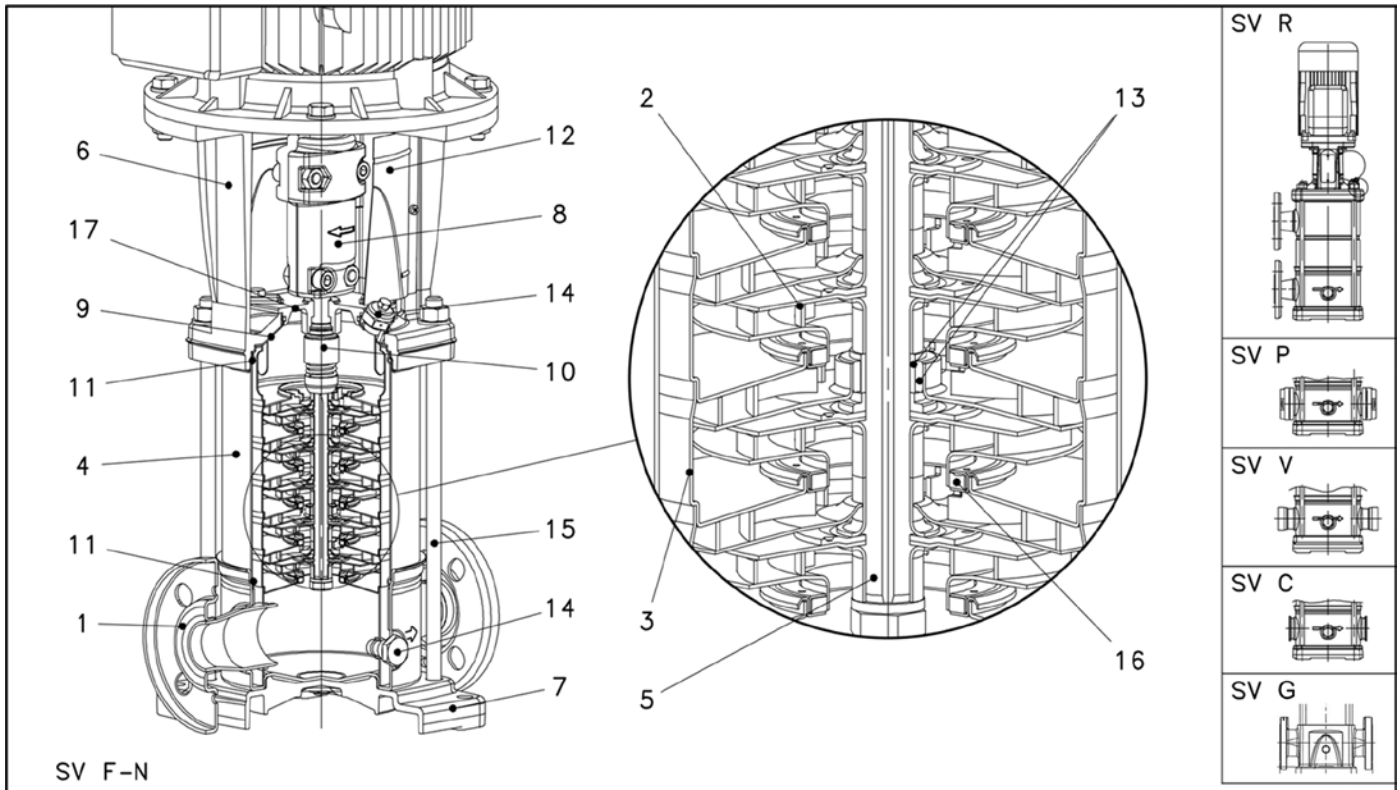
SV - Stainless Vertical

#### Nominal Flow:

- 33 = 175 GPM
- 46 = 240 GPM
- 66 = 350 GPM
- 92 = 485 GPM
- 125 = 660 GPM

## Commercial Water

### Base Models: 1-22SV – Major Components



## Commercial Water

### Base Models: 1-22SV – Major Components

#### F, G, P, R VERSIONS

| Ref. No. | Name                     | Material                                     | Reference Standards |                                      |
|----------|--------------------------|--|---------------------|--------------------------------------|
|          |                          |  | USA                 | Europe                               |
| 1        | Pump Body                | Stainless Steel (F, P, R)                    | AISI 304            | EN 10088-1-X5-CrNi18-10 (1.4301)     |
|          |                          | Cast Iron (G)                                | ASTM Class 35/40B   | EN 1561 GJL 250 (JL1040)             |
| 2        | Impeller                 | Stainless Steel                              | AISI 304            | EN 10088-1-X5-CrNi18-10 (1.4301)     |
| 3        | Diffuser                 | Stainless Steel                              | AISI 304            | EN 10088-1-X5-CrNi18-10 (1.4301)     |
| 4        | Casing                   | Stainless Steel                              | AISI 316L           | EN 10088-1-X2-CrNiMo17-12-2 (1.4404) |
| 5        | Shaft                    | Stainless Steel                              | AISI 316            | EN 10088-1-X2-CrNiMo17-12-2 (1.4401) |
| 6        | Adapter                  | Cast Iron                                    | ASTM Class 35/40B   | EN 1561-GJL-250 (JL1040)             |
| 7        | Base                     | Aluminum (F, P, R)                           | A384.0-F            | EN 1706-AC-AISI11Cu2(Fe) (AC46100)   |
|          |                          | N/A (G)                                      | N/A                 | N/A                                  |
| 8        | Coupling                 | Aluminum                                     | A384.0-F            | EN 1706-AC-AISI11Cu2(Fe) (AC46100)   |
| 9        | Seal Plate               | Stainless Steel                              | AISI 316L           | EN 10088-1-X2-CrNi17-12-2 (1.4404)   |
| 10       | Mechanical Seal          | Silicon Carbide / Carbon / Viton (opt. EPDM) |                     |                                      |
| 11       | Elastomers               | Viton (opt. EPDM)                            |                     |                                      |
| 12       | Coupling Guard           | Stainless Steel                              | AISI 304            | EN 10088-1-X5-CrNi18-10 (1.4301)     |
| 13       | Shaft Sleeve and Bushing | Tungsten Carbide                             |                     |                                      |
| 14       | Fill/Drain Plugs         | Stainless Steel                              | AISI 316            | EN 10088-1-X2-CrNiMo17-12-2 (1.4401) |
| 15       | Tie Rods                 | Carbon Steel / Zinc Plated                   | A29 Gr. 1045        | EN 10277                             |
| 16       | Wear Ring                | PPS  |                     |                                      |
| 17       | Seal Gland               | Stainless Steel                              | AISI 316            | EN 10088-1-X2-CrNiMo17-12-2 (1.4401) |

#### N, P, C VERSIONS

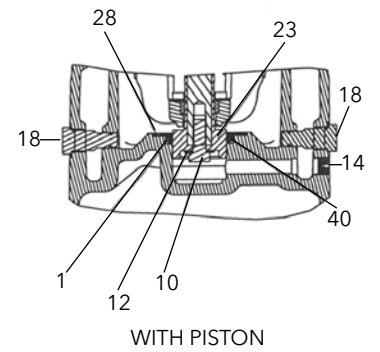
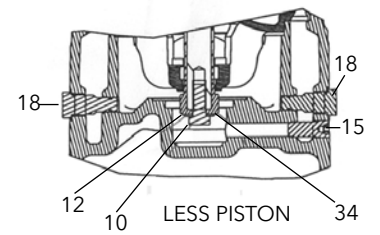
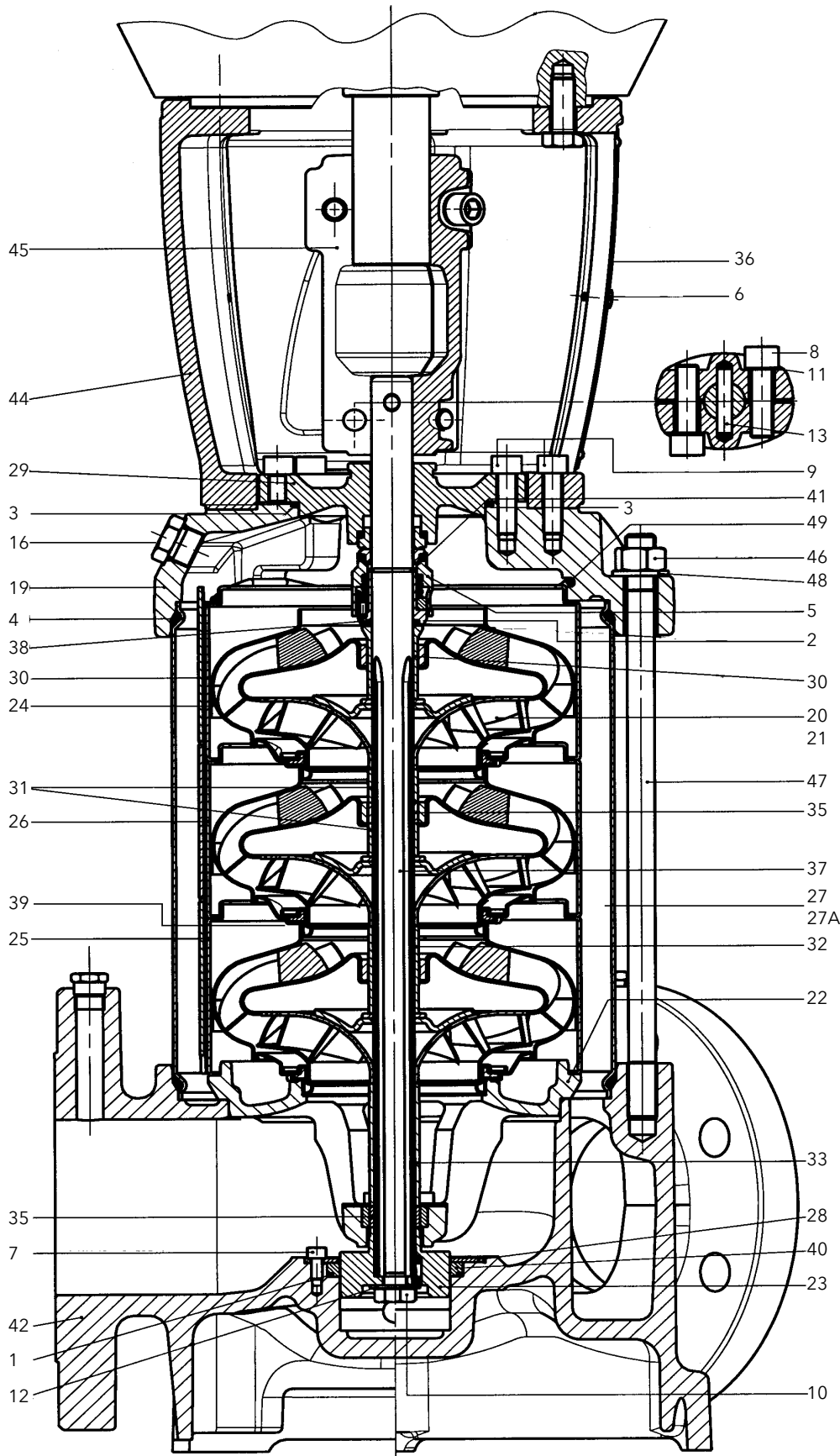
| Ref. No. | Name                     | Material                                     | Reference Standards |                                      |
|----------|--------------------------|--|---------------------|--------------------------------------|
|          |                          |  | USA                 | Europe                               |
| 1        | Pump Body                | Stainless Steel                              | AISI 316L           | EN 10088-1-X2-CrNiMo17-12-2 (1.4404) |
| 2        | Impeller                 | Stainless Steel                              | AISI 316L           | EN 10088-1-X2-CrNiMo17-12-2 (1.4404) |
| 3        | Diffuser                 | Stainless Steel                              | AISI 316L           | EN 10088-1-X2-CrNiMo17-12-2 (1.4404) |
| 4        | Casing                   | Stainless Steel                              | AISI 316L           | EN 10088-1-X2-CrNiMo17-12-2 (1.4404) |
| 5        | Shaft                    | Stainless Steel                              | AISI 316            | EN 10088-1-X2-CrNiMo17-12-2 (1.4401) |
| 6        | Adapter                  | Cast Iron                                    | ASTM Class 35/40B   | EN 1561-GJL-250 (JL1040)             |
| 7        | Base                     | Aluminum                                     | A384.0-F            | EN 1706-AC-AISI11Cu2(Fe) (AC46100)   |
| 8        | Coupling                 | Aluminum                                     | A384.0-F            | EN 1706-AC-AISI11Cu2(Fe) (AC46100)   |
| 9        | Seal Plate               | Stainless Steel                              | AISI 316L           | EN 10088-1-X2-CrNi17-12-2 (1.4404)   |
| 10       | Mechanical Seal          | Silicon Carbide / Carbon / Viton (opt. EPDM) |                     |                                      |
| 11       | Elastomers               | Viton (opt. EPDM)                            |                     |                                      |
| 12       | Coupling Guard           | Stainless Steel                              | AISI 304            | EN 10088-1-X5-CrNi18-10 (1.4301)     |
| 13       | Shaft Sleeve and Bushing | Tungsten Carbide                             |                     |                                      |
| 14       | Fill/Drain Plugs         | Stainless Steel                              | AISI 316            | EN 10088-1-X2-CrNiMo17-12-2 (1.4401) |
| 15       | Tie Rods                 | Carbon Steel / Zinc Plated                   | A29 Gr. 1045        | EN 10277                             |
| 16       | Wear Ring                | PPS  |                     |                                      |
| 17       | Seal Gland               | Stainless Steel                              | AISI 316            | EN 10088-1-X2-CrNiMo17-12-2 (1.4401) |



## Commercial Water

### Base Model: 33SV, 46SV, 66SV and 92SV – Major Components

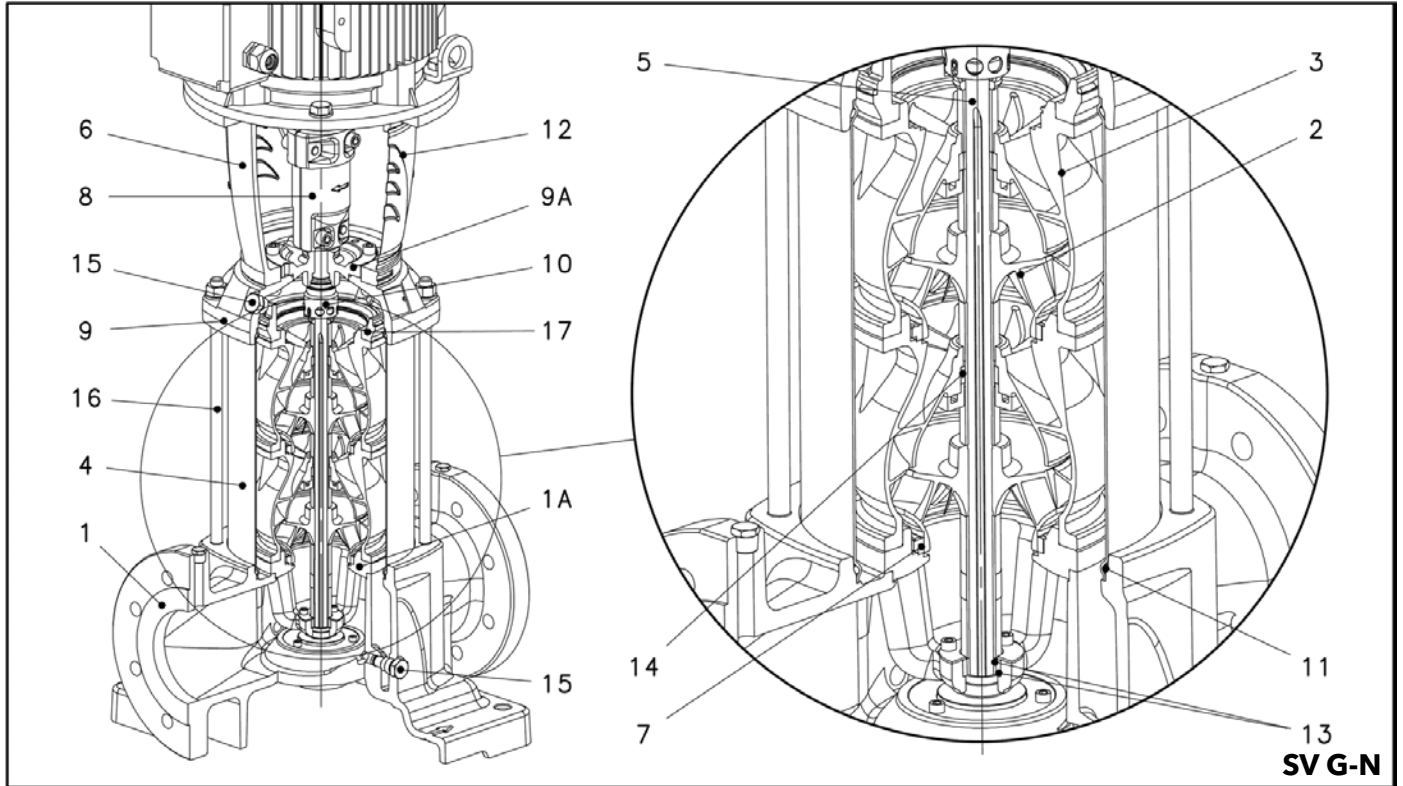
SV G-N



### Base Model: 33SV, 46SV, 66SV and 92SV – Major Components

| No. | Description                      | SVG (33 - 92SV)                                     |                        |               | SVN (33 - 92SV)                      |                    |               |
|-----|----------------------------------|---|------------------------|---------------|--------------------------------------|--------------------|---------------|
|     |                                  | Material  | ASTM                   | DIN           | Material                             | ASTM               | DIN           |
| 1   | O-Ring, Piston Seal              | Viton (std) EPDM (opt)                              |                        |               | Viton (std) EPDM (opt)               |                    |               |
| 2   | O-Ring, Mechanical Seal Sleeve   | Viton (std) EPDM (opt)                              |                        |               | Viton (std) EPDM (opt)               |                    |               |
| 3   | O-Ring, Seal housing             | Viton (std) EPDM (opt)                              |                        |               | Viton (std) EPDM (opt)               |                    |               |
| 4   | O-Ring, Sleeve                   | Viton (std) EPDM (opt)                              |                        |               | Viton (std) EPDM (opt)               |                    |               |
| 5   | Mechanical Seal                  | See Seal Materials Chart for Complete DetailSee Sea |                        |               | Materials Chart for Complete Details |                    |               |
| 5A  | Cartridge Seal (not shown)       |   |                        |               |                                      |                    |               |
| 6   | Screw, Guard                     | Stainless Steel                                     | A193-304               | 1.4301        | Stainless Steel                      | A193-304           | 1.4301        |
| 7   | Screw, Piston Holding Disc       | Stainless Steel                                     | A193-316               | 1.4401        | Stainless Steel                      | A193-316           | 1.4401        |
| 8   | Screw, Coupling                  | Zinc Plated Steel                                   | B363                   |               | Zinc Plated Steel                    | B633               |               |
| 9   | Screw, MA and Seal Housing       | Zinc Plated Steel                                   | B633                   |               | Zinc Plated Steel                    | B633               |               |
| 10  | Screw, Impeller                  | Stainless Steel                                     | A193-316               | 1.4401        | Stainless Steel                      | A193-316           | 1.4401        |
| 11  | Washer, Coupling                 | Carbon Steel  | A108                   |               | Carbon Steel                         | A108               |               |
| 12  | Washer, Impeller                 | Stainless Steel                                     | A193-316               | 1.4401        | Stainless Steel                      | A193-316           | 1.4401        |
| 13  | Pin, Coupling                    | Carbon Steel  | A108                   |               | Carbon Steel                         | A108               |               |
| 14  | Plug, with Piston                | Stainless Steel                                     | A193-316               | 1.4401        | Stainless Steel                      | A193-316           | 1.4401        |
| 15  | Plug, without Piston             | Stainless Steel                                     | A193-316               | 1.4401        | Stainless Steel                      | A193-316           | 1.4401        |
| 16  | Plug, Fill                       | Stainless Steel/O-Ring                              | A193-316               | 1.4401        | Stainless Steel/O-Ring               | A193-316           | 1.4401        |
| 17  | Plug, Vent (not shown)           | Stainless Steel/O-Ring                              | A193-316               | 1.4401        | Stainless Steel/O-Ring               | A193-316           | 1.4401        |
| 18  | Plug, Drain                      | Stainless Steel/O-Ring                              | A193-316               | 1.4401        | Stainless Steel/O-Ring               | A193-316           | 1.4401        |
| 19  | Pump Head                        | Cast Iron   | A48 Class 35           | JL1030        | Stainless Steel                      | 316 CF8M           | 1.4408        |
| 20  | Impeller, Full Diameter          | Stainless Steel                                     | A193-316L              | 1.4404        | Stainless Steel                      | A193-316L          | 1.4404        |
| 21  | Impeller, Reduced Diameter       | Stainless Steel                                     | A193-316L              | 1.4404        | Stainless Steel                      | A193-316L          | 1.4404        |
| 22  | Lower Bearing Assembly           | SS/Cast Iron  | A193-316L/A48 Class 35 | 1.4404/JL1030 | Stainless Steel                      | A193-316L/316 CF8M | 1.4404/1.4408 |
| 23  | Piston                           | Duplex SS   | A182-F51               | 1.4462        | Duplex SS                            | A182-F51           | 1.4462        |
| 24  | Diffuser, Final                  | Stainless Steel                                     | A193-316L              | 1.4404        | Stainless Steel                      | A193-316L          | 1.4404        |
| 25  | Diffuser with Carbon Bushing     | Stainless Steel                                     | A193-316L              | 1.4404        | Stainless Steel                      | A193-316L          | 1.4404        |
| 26  | Diffuser with Tungsten Bushing   | Stainless Steel                                     | A193-316L              | 1.4404        | Stainless Steel                      | A193-316L          | 1.4404        |
| 27  | Outer Sleeve, 25 Bar             | Stainless Steel                                     | A193-316L              | 1.4404        | Stainless Steel                      | A193-316L          | 1.4404        |
| 27A | Outer Sleeve, 40 Bar             | Stainless Steel                                     | A193-316L              | 1.4404        | Stainless Steel                      | A193-316L          | 1.4404        |
| 28  | Holding Disc, Piston Seal        | Stainless Steel                                     | A193-316L              | 1.4404        | Stainless Steel                      | A193-316L          | 1.4404        |
| 29  | Seal Housing                     | Cast Iron   | A48 Class 35           | JL1030        | Stainless Steel                      | 316 CF8M           | 1.4408        |
| 30  | Spacer, Impeller Final           | Stainless Steel                                     | A193-316               | 1.4401        | Stainless Steel                      | A193-316           | 1.4401        |
| 31  | Spacer, Shaft Bushing            | Stainless Steel                                     | A193-316               | 1.4401        | Stainless Steel                      | A193-316           | 1.4401        |
| 32  | Spacer, Impeller                 | Stainless Steel                                     | A193-316               | 1.4401        | Stainless Steel                      | A193-316           | 1.4401        |
| 33  | Spacer, Impeller Lower (66-92SV) | Stainless Steel                                     | A193-316               | 1.4401        | Stainless Steel                      | A193-316           | 1.4401        |
| 34  | Bushing, Non-Piston              | Stainless Steel                                     | A193-316               | 1.4401        | Stainless Steel                      | A193-316           | 1.4401        |
| 35  | Tungsten Carbide Bushing         | Tungsten Carbide                                    |                        |               | Tungsten Carbide                     |                    |               |
| 36  | Coupling Guard                   | Stainless Steel                                     | A193-304               | 1.4301        | Stainless Steel                      | 304                | 1.4301        |
| 37  | Shaft                            | Duplex SS   | A182-F51               | 1.4462        | Duplex SS                            | A182-F51           | 1.4462        |
| 38  | Mechanical Seal Shaft Sleeve     | Stainless Steel                                     | A193-316               | 1.4401        | Stainless Steel                      | A193-316           | 1.4401        |
| 39  | Wear Ring, Impeller              | PPS Glass Filled                                    |                        |               | PPS Glass Filled                     |                    |               |
| 40  | Piston Seal                      | Impregnated Carbon                                  |                        |               | Impregnated Carbon                   |                    |               |
| 41  | Stop Ring, Impeller              | Stainless Steel                                     | A193-316               | 1.4401        | Stainless Steel                      | A193-316           | 1.4401        |
| 42  | Pump Body                        | Cast Iron   | A48 Class 35           | JL1030        | Stainless Steel                      | 316 CF8M           | 1.4408        |
| 43  | Motor Adapter Plate (not shown)  | Cast Iron   | A48 Class 25           | JL1030        | Cast Iron                            | A48 Class 25       | JL1030        |
| 44  | Motor Adapter                    | Cast Iron   | A48 Class 25           | JL1030        | Cast Iron                            | A48 Class 25       | JL1030        |
| 45  | Coupling, Half                   | Cast Iron   | A48 Class 25           | JL1030        | Cast Iron                            | A48 Class 25       | JL1030        |
| 46  | Nut, Tie-Rod                     | Zinc Plated Steel                                   | B633                   |               | Zinc Plated Steel                    | B633               |               |
| 47  | Tie-Rod                          | Zinc Plated Steel                                   | B633                   |               | Zinc Plated Steel                    | B633               |               |
| 48  | Washer, Tie-Rod                  | Zinc Plated Steel                                   | B633                   |               | Zinc Plated Steel                    | B633               |               |
| 49  | Spring, Final Diffuser           | Stainless Steel                                     | A193-316               | 1.4401        | Stainless Steel                      | A193-316           | 1.4401        |

### Base Models: 125SV – Major Components



### Base Models: 125SV – Major Components

#### G VERSIONS

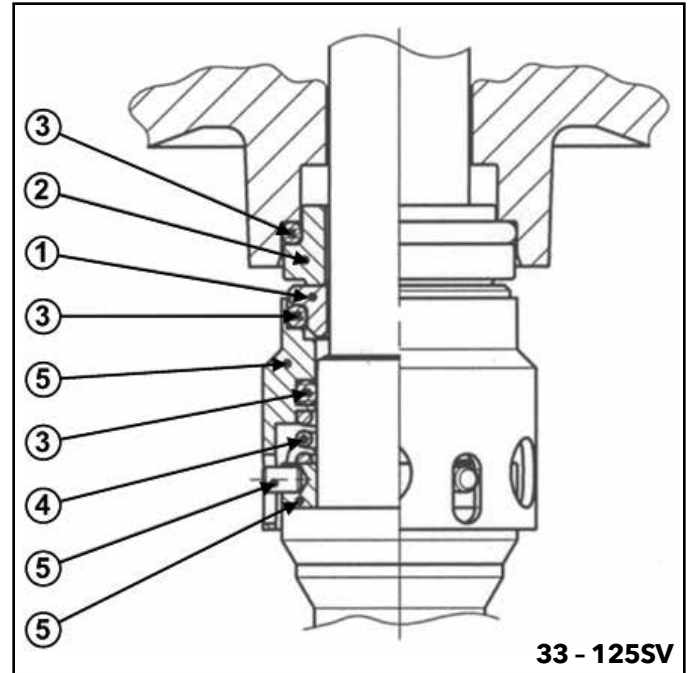
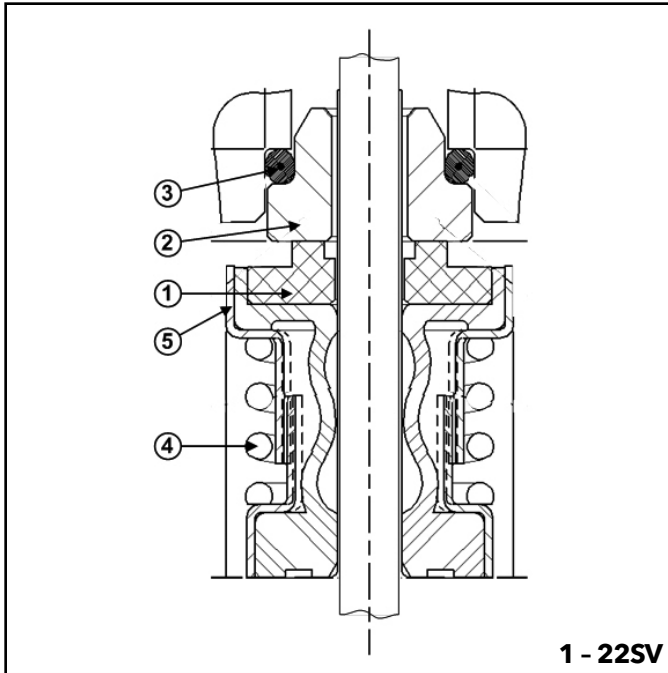
| Ref. No. | Name                       | Material                                     | Reference Standards |                                       |
|----------|----------------------------|--|---------------------|---------------------------------------|
|          |                            |  | USA                 | Europe                                |
| 1        | Pump Body                  | Cast Iron                                    | ASTM Class 35/40B   | EN 1561-GJL-250 (JL1040)              |
| 2        | Impeller                   | Stainless Steel                              | AISI 304            | EN 10088-1-X5-CrNi18-10 (1.4301)      |
| 3        | Diffuser                   | Stainless Steel                              | AISI 304            | EN 10088-1-X5-CrNi18-10 (1.4301)      |
| 4        | Casing                     | Stainless Steel                              | AISI 316L           | EN 10088-1-X2-CrNiMo17-12-2 (1.4404)  |
| 5        | Shaft                      | Duplex Stainless Steel                       | UNS S 31803         | EN 10088-1-X17-CrNiMoN22-5-3 (1.4507) |
| 6        | Adapter (up to 40HP)       | Cast Iron                                    | ASTM Class 25       | EN 1561-GJL-200 (JL1040)              |
|          | Adapter (50HP and higher)  |  | ASTM Class A536     | EN 1561-GJL-500-7 (JS1050)            |
| 7        | Wear Ring                  | PPS  |                     |                                       |
| 8        | Coupling (up to 40HP)      | Cast Iron                                    | A384.0-F            | EN 1706-AC-AISI11Cu2(Fe)(AC46100)     |
|          | Coupling (50HP and higher) |  |                     |                                       |
| 9-9A     | Upper Head / Seal Housing  | Cast Iron                                    | ASTM Class 35/40B   | EN 1561-GJL-250 (JL1040)              |
| 10       | Mechanical Seal            | Silicon Carbide / Carbon / Viton (opt. EPDM) |                     |                                       |
| 11       | Elastomers                 | Viton (opt. EPDM)                            |                     |                                       |
| 12       | Coupling Guard             | Stainless Steel                              | AISI 304            | EN 10088-1-X5-CrNi18-10 (1.4301)      |
| 13       | Shaft Sleeve and Bushing   | Tungsten Carbide                             |                     |                                       |
| 14       | Bushing for Diffuser       | Carbon                                       |                     |                                       |
| 15       | Fill/Drain Plugs           | Stainless Steel                              | AISI 316            | EN 10088-1-X2-CrNiMo17-12-2 (1.4401)  |
| 16       | Tie Rods                   | Carbon Steel / Zinc Plated                   | A29 Gr. 1045        | EN 10277                              |
| 17       | Adapter Ring               | Stainless Steel                              | AISI 304            | EN 10088-1-X5-CrNi18-10 (1.4301)      |

#### N VERSIONS

| Ref. No. | Name                       | Material                                     | Reference Standards |                                       |
|----------|----------------------------|--|---------------------|---------------------------------------|
|          |                            |  | USA                 | Europe                                |
| 1        | Pump Body                  | Stainless Steel                              | AISI 316            | EN 10088-1-X2-CrNiMo17-12-2 (1.4401)  |
| 2        | Impeller                   | Stainless Steel                              | AISI 316            | EN 10088-1-X2-CrNiMo17-12-2 (1.4401)  |
| 3        | Diffuser                   | Stainless Steel                              | AISI 316            | EN 10088-1-X2-CrNiMo17-12-2 (1.4401)  |
| 4        | Casing                     | Stainless Steel                              | AISI 316L           | EN 10088-1-X2-CrNiMo17-12-2 (1.4404)  |
| 5        | Shaft                      | Duplex Stainless Steel                       | UNS S 31803         | EN 10088-1-X17-CrNiMoN22-5-3 (1.4507) |
| 6        | Adapter (up to 40HP)       | Cast Iron                                    | ASTM Class 25       | EN 1561-GJL-200 (JL1040)              |
|          | Adapter (50HP and higher)  |  | ASTM Class A536     | EN 1561-GJL-500-7 (JS1050)            |
| 7        | Wear Ring                  | PPS  |                     |                                       |
| 8        | Coupling (up to 40HP)      | Cast Iron                                    | A384.0-F            | EN 1706-AC-AISI11Cu2(Fe)(AC46100)     |
|          | Coupling (50HP and higher) |  |                     |                                       |
| 9-9A     | Upper Head / Seal Housing  | Stainless Steel                              | AISI 316            | EN 10088-1-X2-CrNiMo17-12-2 (1.4401)  |
| 10       | Mechanical Seal            | Silicon Carbide / Carbon / Viton (opt. EPDM) |                     |                                       |
| 11       | Elastomers                 | Viton (opt. EPDM)                            |                     |                                       |
| 12       | Coupling Guard             | Stainless Steel                              | AISI 304            | EN 10088-1-X5-CrNi18-10 (1.4301)      |
| 13       | Shaft Sleeve and Bushing   | Tungsten Carbide                             |                     |                                       |
| 14       | Bushing for Diffuser       | Carbon                                       |                     |                                       |
| 15       | Fill/Drain Plugs           | Stainless Steel                              | AISI 316            | EN 10088-1-X2-CrNiMo17-12-2 (1.4401)  |
| 16       | Tie Rods                   | Carbon Steel / Zinc Plated                   | A29 Gr. 1045        | EN 10277                              |
| 17       | Adapter Ring               | Stainless Steel                              | AISI 304            | EN 10088-1-X5-CrNi18-10 (1.4301)      |

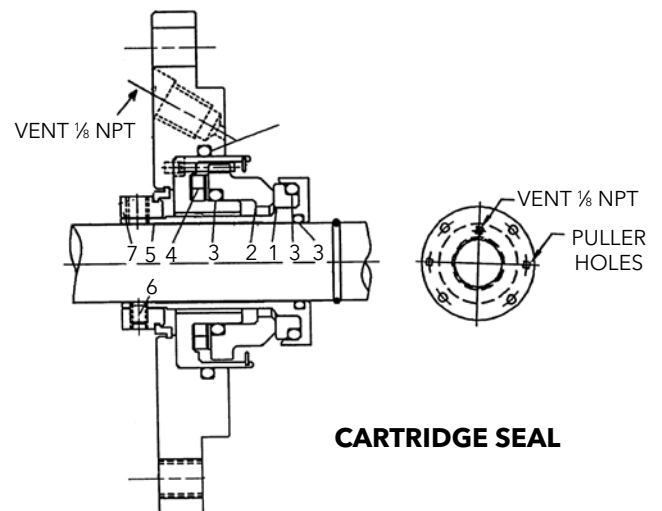
## Commercial Water

### e-SV Mechanical Seals



| Pump            | Code | Rotating Face 1                 | Stationary Face 2               | Elastomers 3 | Spring 4 | Metal Components 5 | Elastomer Temp Limits °F (°C) | Seal Temp Limits °F (°C)  | Max. Working Pressure | Application     |
|-----------------|------|---------------------------------|---------------------------------|--------------|----------|--------------------|-------------------------------|---------------------------|-----------------------|-----------------|
| 1SV thru 22SV   | 0    | Carbon                          | Silicon Carbide Graphite Filled | Viton        | 316SS    | 316SS              | -14 - 392°F (-10 - 200°C)     | -22 - 250°F               | 580 psi (40 bar)      | General Service |
|                 | 2    | Silicon Carbide Graphite Filled |                                 | EPR          |          |                    | -30 - 300°F (-34 - 150°C)     |                           |                       | Severe Duty     |
|                 | 4    |                                 |                                 |              |          |                    |                               |                           |                       | Carbon          |
|                 | 6    | FDA Grade Carbon                |                                 | AFLAS        |          |                    | -14 - 392°F (-10 - 200°C)     |                           |                       |                 |
|                 | 1    |                                 |                                 | Boiler Feed  |          |                    |                               |                           |                       |                 |
| 33SV thru 125SV | 0    | Carbon                          | Silicon Carbide Graphite Filled | Viton        | 316SS    | 316SS              | -14 - 392°F (-10 - 200°C)     | -22 - 250°F (-30 - 120°C) | 580 psi (40 bar)      | General Service |
|                 | 2    | Silicon Carbide Graphite Filled |                                 | EPR          |          |                    | -22 - 250°F (-30 - 120°C)     |                           |                       | Severe Duty     |
|                 | 4    |                                 |                                 |              |          |                    |                               |                           |                       | Carbon          |
|                 | 6    | General Service Boiler Feed     |                                 |              |          |                    |                               |                           |                       |                 |

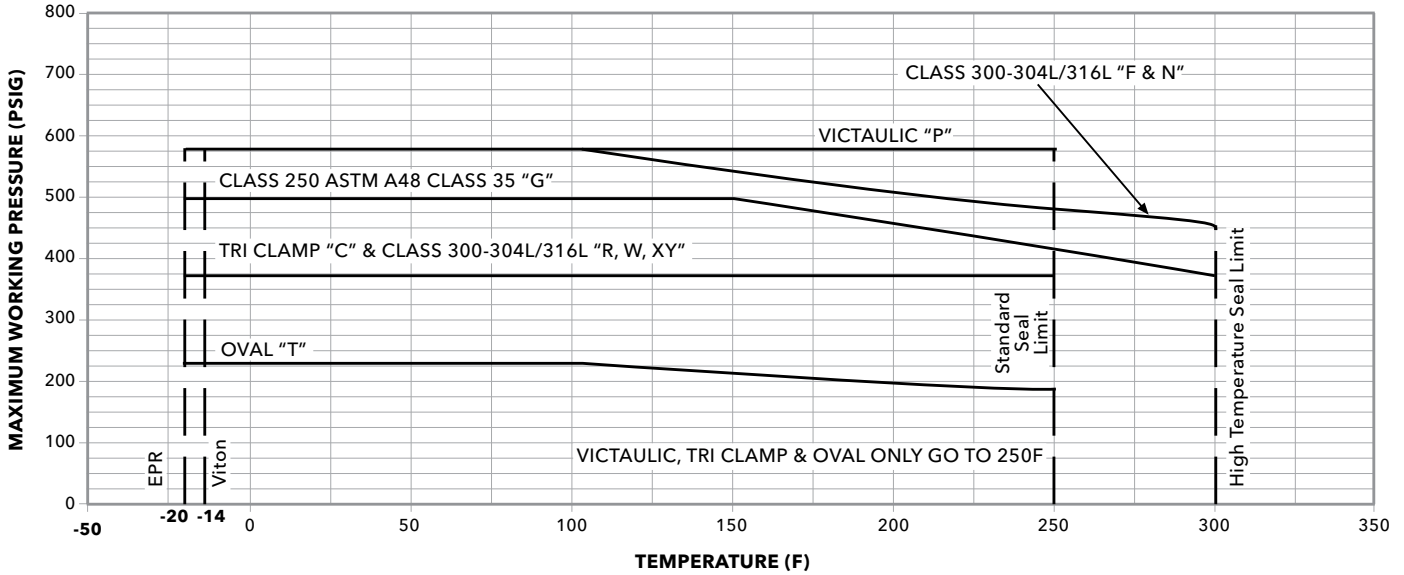
| Pump | Rotating Face 1 | Stationary Face 2 | Elastomers 3 | Spring 4 | Sleeve 5 | Set Screw 6 | Locking Collar |
|------|-----------------|-------------------|--------------|----------|----------|-------------|----------------|
| 33SV | Silicon Carbide | Carbon            | Viton        | 316SS    | 316SS    | 300SS       | 316SS          |
| 46SV |                 | Carbon            | Viton        |          |          |             |                |
| 66SV |                 | Silicon Carbide   | EPR          |          |          |             |                |
| 92SV |                 | Silicon Carbide   | EPR          |          |          |             |                |



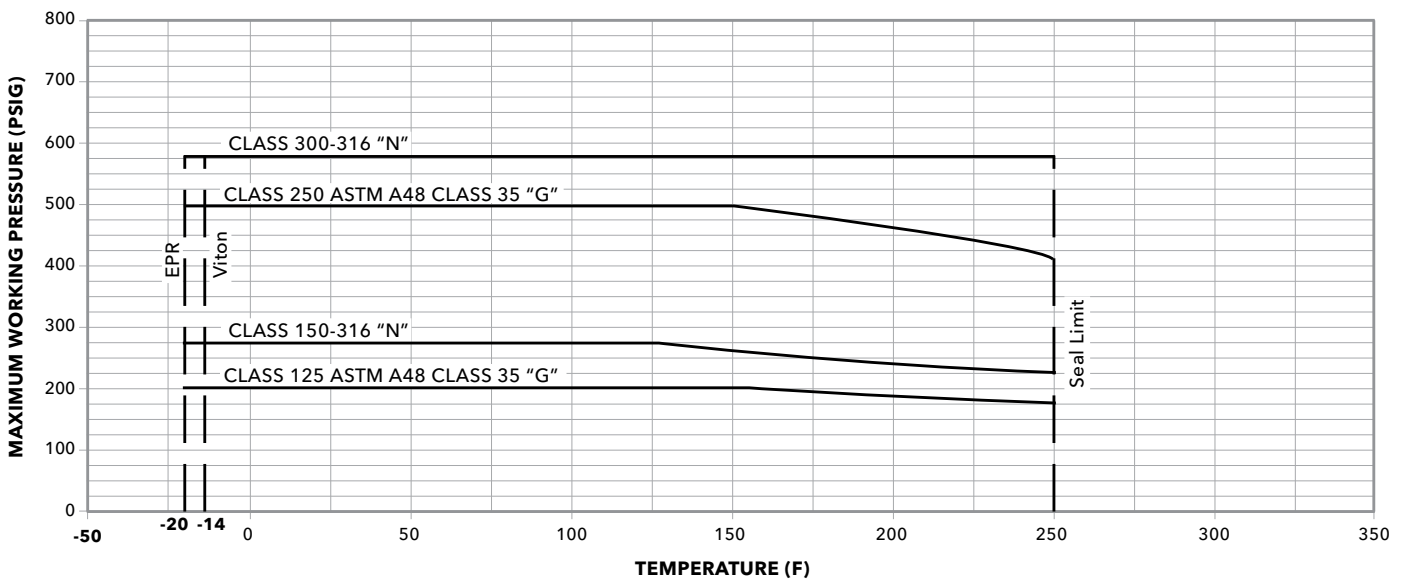
**CARTRIDGE SEAL**

### Maximum Allowable Working Pressure Charts

#### 1SV-22SV



#### 33SV-125SV

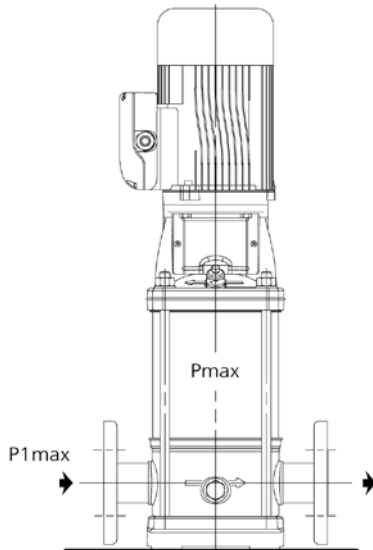




## Commercial Water

### Maximum Inlet Pressure

The following table shows the maximum permissible inlet pressure. However, the actual inlet pressure + pressure against a closed valve must always be lower than the maximum permissible operating pressure.



$$p_{1\max} \leq PN - p_{\max}$$

Having the following meaning of the symbols:

$p_{\max}$  = Maximum pressure delivered by the pump

$p_{1\max}$  = Maximum inlet pressure

PN = Maximum operating pressure

### Motor Data - Starts per Hour / Minimum Run Time

| HP   | Maximum Starts per Hour* | Minimum run time between starts (seconds) |
|------|--------------------------|---|
| 0.5  | 24                       | 120                                       |
| 0.75 | 24                       | 120                                       |
| 1    | 15                       | 75  |
| 1.5  | 13                       | 76  |
| 2    | 12                       | 77  |
| 3    | 9                        | 30  |
| 5    | 8                        | 83  |
| 7.5  | 7                        | 88  |
| 10   | 6                        | 92  |
| 15   | 5                        | 100                                       |
| 20   | 5                        | 110                                       |
| 25   | 5                        | 115                                       |
| 30   | 4                        | 120                                       |
| 40   | 4                        | 130                                       |
| 50   | 3                        | 145                                       |
| 60   | 3                        | 170                                       |
| 75   | 3                        | 180                                       |

#### NOTE(S)

- 1) Recommended motor starts per hour and minimum run time calculated based on NEMA standards MG1-12.44 in accordance to manufacturers allowable tolerance for heat rise and insulation breakdown.
- 2) Applied voltage and frequency in accordance with NEMA MG1-12.44
- 3) Starts based on NEMA three phase design A and design B AC induction motors.
- 4) External load WK2 is equal to or less than the values listed in NEMA MG1-12.54
- 5) Applicable to all NEMA (JM, JP, T and TC frame) motors used for Goulds Water Technology products.
- 6) Applicable to three phase motors only.

## Commercial Water

### Motor Data

#### 3500 RPM, 60Hz

| HP   | Phase       | Enclosure | Voltage     | SF           | NEMA Frame   | Speed / Pole |              |
|------|-------------|-----------|-------------|--------------|--------------|--------------|--------------|
|      |             |           |             |              |              | 3500 / 2     | 1750 / 4     |
| ½    | 1           | ODP       | 115/208-230 | 1.25         | 56C          | V04721       | V04711       |
|      |             | TEFC      | 115/208-230 | 1.25         | 56C          | V04722       | V04712       |
|      | 3           | ODP       | 208-230/460 | 1.25         | 56C          | V04741       | V04A34E1BB3S |
|      |             |           | 575         |              |              | V04779       | V04739       |
|      |             | TEFC      | 208-230/460 | 1.25         | 56C          | V04742       | V04A34E2BB3S |
|      |             |           | 575         |              |              | V04789       | V04749       |
|      |             | XP        | 208-230/460 | 1.00         | 56C          | V04743       | V04A34E3BB1S |
|      |             |           | 575         |              |              | V04A32H3BB1S | V04A34H3BB1S |
| TEPE | 208-230/460 | 1.25      | 56C         | V04A32E5BB3S | V04A34E5BB3S |              |              |
| DPPE | 208-230/460 | 1.25      | 56C         | V04A32E4BB3S | V04A34E4BB2S |              |              |
| ¾    | 1           | ODP       | 115/208-230 | 1.25         | 56C          | V05721       | V05711       |
|      |             | TEFC      | 115/208-230 | 1.25         | 56C          | V05722       | V05712       |
|      | 3           | ODP       | 208-230/460 | 1.25         | 56C          | V05741       | V05731       |
|      |             |           | 575         |              |              | V05779       | V05A34H1BB3S |
|      |             | TEFC      | 208-230/460 | 1.25         | 56C          | V05742       | V05732       |
|      |             |           | 575         |              |              | V05789       | V05749       |
|      |             | XP        | 208-230/460 | 1.00         | 56C          | V05743       | V05A34E3BB1S |
|      |             |           | 575         |              |              | V05A32H3BB1S | V05A34H3BB1S |
| TEPE | 208-230/460 | 1.25      | 56C         | V05742PE     | V05A34E5BB2S |              |              |
| DPPE | 208-230/460 | 1.25      | 56C         | V05A32E4BB2S | V05A34E4BB2S |              |              |
| 1    | 1           | ODP       | 115/208-230 | 1.25         | 56C          | V06721       | V06711       |
|      |             | TEFC      | 115/208-230 | 1.25         | 56C          | V06722       | V06A14B2BB2S |
|      | 3           | ODP       | 208-230/460 | 1.25         | 56C          | V06741       | V06731       |
|      |             |           | 575         |              |              | V06779       | V06A34H1BB3S |
|      |             | TEFC      | 208-230/460 | 1.25         | 56C          | V06742       | V06732       |
|      |             |           | 575         |              |              | V06789       | V06749       |
|      |             | XP        | 208-230/460 | 1.00         | 56C          | V06743       | V06A34E3BB2S |
|      |             |           | 575         |              |              | V06A32H3BB1S | V06A34H3BB1S |
| DPPE | 208-230/460 | 1.25      | 56C         | V06A32E4BB2S | V06A34E4BB2S |              |              |
|      | 575         |           |             | V06A32H4BB3S | V06A34H4BB3S |              |              |
| TEPE | 208-230/460 | 1.25      | 56C         | V06742PE     | V06A34E5BB2S |              |              |
| 1½   | 1           | ODP       | 115/208-230 | 1.15         | 56C          | V07721       | V07711       |
|      |             | TEFC      | 115/208-230 | 1.15         | 56C          | V07722       | V07712       |
|      | 3           | ODP       | 208-230/460 | 1.15         | 56C          | V07741       | V07731       |
|      |             |           | 575         |              |              | V07779       | V07A34H1BB2S |
|      |             | TEFC      | 208-230/460 | 1.15         | 56C          | V07742       | V07732       |
|      |             |           | 575         |              |              | V07789       | V07749       |
|      |             | XP        | 208-230/460 | 1.00         | 56C          | V07743       | V07A34E3BB2S |
|      |             |           | 575         |              |              | V07A32H3BB1S | V07A34H3BB1S |
| DPPE | 208-230/460 | 1.15      | 56C         | V07741PE     | V07A34E4BB2S |              |              |
|      | 575         |           |             | V07A32H4BB2S | V07A34H4BB2S |              |              |
| TEPE | 208-230/460 | 1.15      | 56C         | V07742PE     | V07A34E5BB2S |              |              |
|      |             | 575       |             |              | V07A32H5BB2S | V07A34H5BB2S |              |

## Commercial Water

### Motor Data

#### 3500 RPM, 60Hz

| HP | Phase | Enclosure   | Voltage     | SF    | NEMA Frame    | Speed / Pole |              |
|----|-------|-------------|-------------|-------|---------------|--------------|--------------|
|    |       |             |             |       |               | 3500 / 2     | 1750 / 4     |
| 2  | 1     | ODP         | 115/208-230 | 1.15  | 56C           | V08721       | V08A14A1BB2S |
|    |       | TEFC        | 115/208-230 | 1.15  | 56C           | V08722       | V08A14A2BB2S |
|    | 3     | ODP         | 208-230/460 | 1.15  | 56C           | V08741       | V08A34E1BB2S |
|    |       |             | 575         |       |               | V08779       | V08A34H1BB2S |
|    |       | TEFC        | 208-230/460 | 1.15  | 56C           | V08742       | V08A34E2BB2S |
|    |       |             | 575         |       |               | V08A32H2BB2S | V08749       |
|    |       | XP          | 208-230/460 | 1.00  | 56C           | V08743       | V08A34E3BB1S |
|    |       |             | 575         |       |               | V08A32H3BB1S | V08A34H3BB1S |
|    | DPPE  | 208-230/460 | 1.15        | 56C   | V08741PE      | V08A34E4BB2S |              |
|    |       | 575         |             |       | V08A32H4BB2S  | V08A34H4BB2S |              |
|    | TEPE  | 208-230/460 | 1.15        | 56C   | V08742PE      | V08A34E5BB2S |              |
|    |       | 575         |             |       | V08A32H5BB2S  | V08A34H5BB2S |              |
| 3  | 1     | ODP         | 115/208-230 | 1.15  | 56C           | V09721       | V09711       |
|    |       | TEFC        | 115/208-230 | 1.15  | 56C           | V09722       | V09A14B2BD1S |
|    | 3     | ODP         | 208-230/460 | 1.15  | 56C           | V09741       | V09A34E1BD2S |
|    |       |             | 575         |       |               | V09779       | V09739       |
|    |       | TEFC        | 208-230/460 | 1.15  | 56C           | V09742       | V09732       |
|    |       |             | 575         |       |               | V09789       | V09749       |
|    |       | XP          | 208-230/460 | 1.00  | 56C           | V09743       | V09A34E3BB1S |
|    |       |             | 575         |       |               | V09A32H3BB1S | V09A34H3BB1S |
|    | DPPE  | 208-230/460 | 1.15        | 56C   | V09741PE      | V09A34E4BB2S |              |
|    |       | 575         |             |       | V09A32H4BB2S  | V09A34H4BB2S |              |
|    | TEPE  | 208-230/460 | 1.15        | 184TC | V09742PE      | V09A34E5HD2S |              |
|    |       | 575         |             |       | V09A32H5BD2S  | V09A34H5BD2S |              |
| 5  | 1     | ODP         | 115/208-230 | 1.15  | 182TC         | V10721A      | V10A14C1BD2S |
|    |       | TEFC        | 115/208-230 | 1.15  | 184TC         | V10722A      | V10A14C2BD2S |
|    | 3     | ODP         | 208-230/460 | 1.15  | 182TC         | V10741A      | V10731       |
|    |       |             | 575         |       |               | V10779       | V10A34H1BD2S |
|    |       | TEFC        | 208-230/460 | 1.15  | 184TC         | V10742A      | V10A34H2BD2S |
|    |       |             | 575         |       |               | V10789       | V10749       |
|    |       | XP          | 208-230/460 | 1.00  | 184TC         | V10743A      | V10A34E3BD1S |
|    |       |             | 575         |       |               | V10A32H3BD1S | V10A34H3BD1S |
|    | DPPE  | 208-230/460 | 1.15        | 182TC | V10741APE     | V10A34E4BD2S |              |
|    |       | 575         |             |       | V10A32H4BD2S  | V10A34H4BD2S |              |
|    | TEPE  | 208-230/460 | 1.15        | 184TC | V10742APE     | V10A34E5BD2S |              |
|    |       | 575         |             |       | V10A32H5BB2S  | V10A34H5BD2S |              |
| 7½ | 1     | ODP         | 115/208-230 | 1.15  | 213TC         | V11721       | V11A14A1BE2S |
|    |       | TEFC        | 115/208-230 | 1.15  | 213TC         | V11722       | V11A14A2BE2S |
|    | 3     | ODP         | 208-230/460 | 1.15  | 182TC         | V11741A      | V11731       |
|    |       |             | 575         |       |               | V11779       | V11A34H1BD2S |
|    |       | TEFC        | 208-230/460 | 1.15  | 184TC         | V11742A      | V11732       |
|    |       |             | 575         |       |               | V11789       | V11A34H2BE2S |
|    |       | XP          | 208-230/460 | 1.00  | 184TC   213TC | V11743A      | V11A34E3BE1S |
|    |       |             | 575         |       |               | 213TC        | V11A32H3BE1S |
|    | DPPE  | 208-230/460 | 1.15        | 184TC | V11741APE     | V11A34F4BE2S |              |
|    |       | 575         |             |       | V11A32H4BD2S  | V11A34H4BD2S |              |
|    | TEPE  | 208-230/460 | 1.15        | 213TC | V11742APE     | V11A34F5BE2S |              |
|    |       | 575         |             |       | V11A32H5BE2S  | V11749PE     |              |

## Commercial Water

### Motor Data

#### 3500 RPM, 60Hz

| HP   | Phase | Enclosure   | Voltage     | SF          | NEMA Frame   | Speed / Pole |              |              |
|------|-------|-------------|-------------|-------------|--------------|--------------|--------------|--------------|
|      |       |             |             |             |              | 3500 / 2     | 1750 / 4     |              |
| 10   | 1     | ODP         | 115/208-230 | 1.15        | 213TC        | V12721       | V12A14A1BE2S |              |
|      |       | TEFC        | 115/208-230 | 1.15        | 213TC        | V12722       | V12A14C2BE1S |              |
|      | 3     | ODP         | 208-230/460 | 1.15        | 213TC        | V12741       | V12731       |              |
|      |       |             | 575         |             |              | V12779       | V12A34H1BE2S |              |
|      |       | TEFC        | 208-230/460 | 1.15        | 215TC        | V12742       | V12732       |              |
|      |       |             | 575         |             |              | V12789       | V12749       |              |
|      |       | XP          | 208-230/460 | 1.00        | 215TC        | V12743       | V12A34E3BE1S |              |
|      |       |             | 575         |             |              | V12A32H3BE1S | V12A34H3BE1S |              |
|      | DPPE  | 208-230/460 | 1.15        | 215TC       | V12741PE     | V12A34E4BE2S |              |              |
|      |       | 575         |             |             | V12A32H4BE2S | V12A34H4BE2S |              |              |
|      | TEPE  | 208-230/460 | 1.15        | 215TC       | V12742PE     | V12A34E5BE2S |              |              |
|      |       | 575         |             |             | V12A32H5BE2S | V12A34H5BE2S |              |              |
| 15   | 3     | ODP         | 208-230/460 | 1.15        | 215TC        | V13741       | V13731       |              |
|      |       |             | 575         |             |              | V13779       | V13A34H1BE2S |              |
|      |       | TEFC        | 208-230/460 | 1.15        | 254TC        | V13742       | V13A34E2BK2S |              |
|      |       |             | 575         |             |              | V13789       | V13A34H2BK2S |              |
|      |       | XP          | 208-230/460 | 1.00        | 254TC        | V13743       | V13A34E3BK1S |              |
|      |       |             | 575         |             |              | V13A32H3BK1S | V13A34H3BK1S |              |
|      | DPPE  | 208-230/460 | 1.15        | 215TC       | V13741PE     | V13A34E4BE2S |              |              |
|      |       | 575         |             |             | V13A32H4BE2S | V13A34H4BE2S |              |              |
|      | TEPE  | 208-230/460 | 1.15        | 254TC       | V13742PE     | V13A34E5BK2S |              |              |
|      |       | 575         |             |             | V13A32H5BK2S | V13A34H5BK2S |              |              |
|      | 20    | 3           | ODP         | 208-230/460 | 1.15         | 254TC        | V14741       | V14A34E1BK2S |
|      |       |             |             | 575         |              |              | V14779       | V14A34H1BK2S |
| TEFC |       |             | 208-230/460 | 1.15        | 254TC        | V14742       | V14732D      |              |
|      |       |             | 575         |             |              | V14789       | V14A34H2BK2S |              |
| XP   |       |             | 208-230/460 | 1.00        | 256TC        | V14743       | V14A34E3BK1S |              |
|      |       |             | 575         |             |              | V14A32H3BK1S | V14A34H3BK1S |              |
| DPPE |       | 208-230/460 | 1.15        | 254TC       | V14741PE     | V14A34E4BK2S |              |              |
|      |       | 575         |             |             | V14A32H4BK2S | V14A34H4BK2S |              |              |
| TEPE |       | 208-230/460 | 1.15        | 256TC       | V14742PE     | V14A34E5BK2S |              |              |
|      |       | 575         |             |             | V14A32H5BK2S | V14A34H5BK2S |              |              |
| 25   |       | 3           | ODP         | 208-230/460 | 1.15         | 256TC        | V15741       | V15731D      |
|      |       |             |             | 575         |              |              | V15779       | V15A34H1BK2S |
|      | TEFC  |             | 208-230/460 | 1.15        | 284TC        | V15742       | V15732D      |              |
|      |       |             | 575         |             |              | V15789       | V15A34H2BL2S |              |
|      | XP    |             | 208-230/460 | 1.15        | 284TC        | V15743       | V15A34E3BL2S |              |
|      |       |             | 575         |             |              | V15A32H3BL2S | V15A34H3BL2S |              |
|      | DPPE  | 208-230/460 | 1.15        | 256TC       | V15741PE     | V15A34E4BK2S |              |              |
|      |       | 575         |             |             | V15A32H4BK2S | V15A34H4BK2S |              |              |
|      | TEPE  | 208-230/460 | 1.15        | 284TC       | V15742PE     | V15A34E5BL2S |              |              |
|      |       | 575         |             |             | V15A32H5BL2S | V15A34H5BL2S |              |              |
|      | 30    | 3           | ODP         | 208-230/460 | 1.15         | 284TC        | V16741       | V16731D      |
|      |       |             |             | 575         |              |              | V16779       | V16A34H1BL2S |
| TEFC |       |             | 208-230/460 | 1.15        | 284TC        | V16742       | V16732D      |              |
|      |       | 575         | V16789      |             |              | V16A34H2BL2S |              |              |
| XP   |       | 208-230/460 | 1.15        | 286TC       | V16743       | V16A34E3BL2S |              |              |
|      |       | 575         |             |             | V16A32H3BL2S | V16A34H3BL2S |              |              |

## Commercial Water

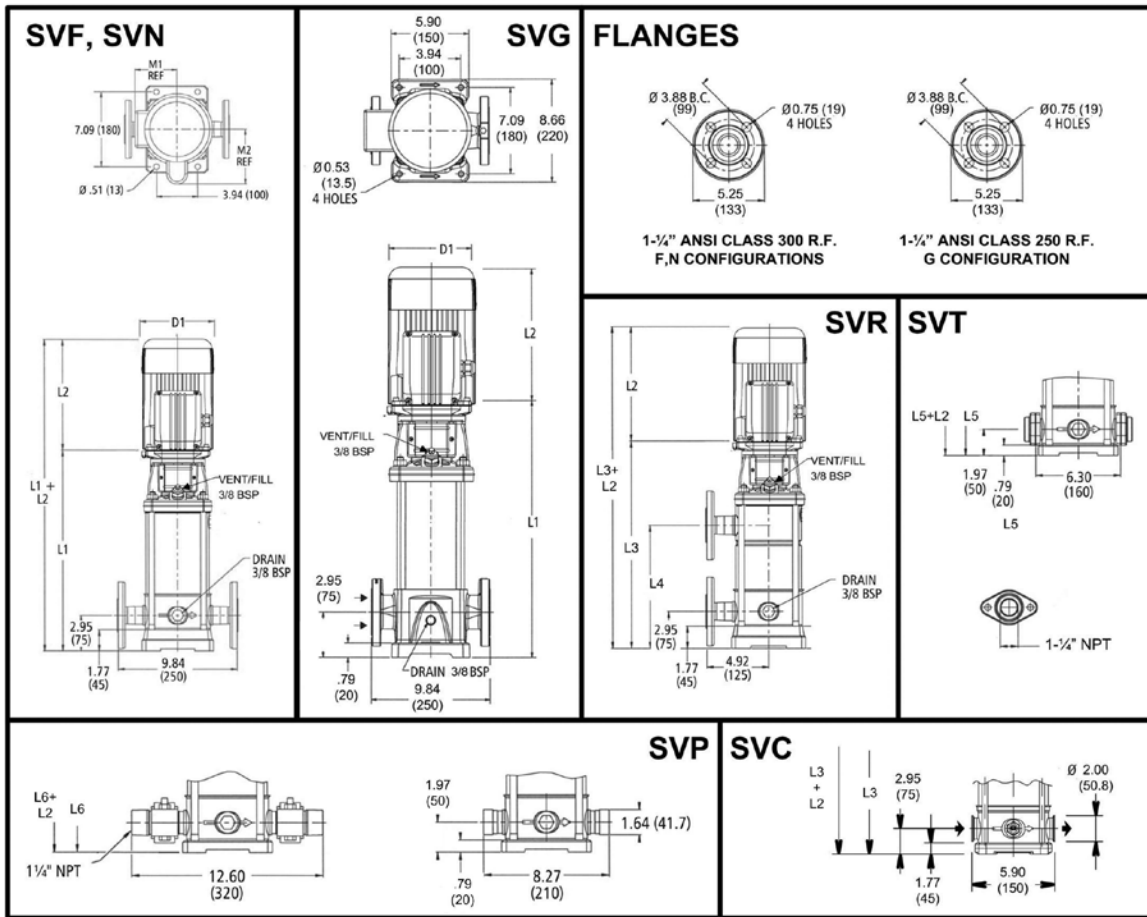
### Motor Data

#### 3500 RPM, 60Hz

| HP   | Phase       | Enclosure | Voltage     | SF   | NEMA Frame  | Speed / Pole |              |              |              |
|------|-------------|-----------|-------------|------|-------------|--------------|--------------|--------------|--------------|
|      |             |           |             |      |             | 3500 / 2     | 1750 / 4     |              |              |
| 30   | 3           | DPPE      | 208-230/460 | 1.15 | 284TC       | V16741PE     | V16A34E4BL2S |              |              |
|      |             |           | 575         |      |             | V16A32H4BL2S | V16A34H4BL2S |              |              |
|      |             | TEPE      | 208-230/460 | 1.15 | 286TC       | V16742PE     | V16A34E5BL2S |              |              |
|      |             |           | 575         |      |             | V16A32H5BL2S | V16A34H5BL2S |              |              |
| 40   | 3           | ODP       | 208-230/460 | 1.15 | 286TC       | V17741       | V17731D      |              |              |
|      |             |           | 575         |      |             | V17A32H1BL2S | V17A34H1BL2S |              |              |
|      |             | TEFC      | 208-230/460 | 1.15 | 286TC       | V17742       | V17732DPE    |              |              |
|      |             |           | 575         |      |             | V17789       | V17A34H2BL2S |              |              |
|      |             | XP        | 208-230/460 | 1.15 | 324TSC      | V17743       | X17A34E3BM2S |              |              |
|      |             |           | 575         |      |             | X17A32H3BM2S | X17A34H3BM2S |              |              |
|      |             | DPPE      | 208-230/460 | 1.15 | 286TC       | V17741PE     | V17A34E4BL2S |              |              |
|      |             |           | 575         |      |             | V17A32H4BL2S | V17A34H4BL2S |              |              |
|      |             | TEPE      | 208-230/460 | 1.15 | 324TSC      | V17742PE     | X17A34E5BM2S |              |              |
|      |             |           | 575         |      |             | X17A32H5BM2S | X17A34H5BM2S |              |              |
|      |             | 50        | 3           | ODP  | 208-230/460 | 1.15         | 326TSC       | V18741S      | V18731D      |
|      |             |           |             |      | 575         |              |              | V18779S      | X18A34H1BM2S |
| TEFC | 208-230/460 |           |             | 1.15 | 326TSC      | V18742S      | V18732D      |              |              |
|      | 575         |           |             |      |             | V18789S      | X18A34H2BM2S |              |              |
| XP   | 208-230/460 |           |             | 1.15 | 326TSC      | V18743S      | X18A34E3BM2S |              |              |
|      | 575         |           |             |      |             | X18A32H3BM2S | X18A34H3BM2S |              |              |
| DPPE | 208-230/460 |           |             | 1.15 | 324TSC      | V18741SPE    | X18A34E4BM2S |              |              |
|      | 575         |           |             |      |             | X18A32H4BM2S | X18A34H4BM2S |              |              |
| TEPE | 208-230/460 |           |             | 1.15 | 326TSC      | V18742SPE    | X18A34E5BM2S |              |              |
|      | 575         |           |             |      |             | V18A32H5BM2S | X18A34H5BM2S |              |              |
| 60   | 3           |           |             | ODP  | 208-230/460 | 1.15         | 326TSC       | V19741S      | V19731D      |
|      |             |           |             |      | 575         |              |              | X19A32H1BM2S | X19A34H1BM2S |
|      |             | TEFC      | 208-230/460 | 1.15 | 364TSC      | V19742S      | V19732D      |              |              |
|      |             |           | 575         |      |             | V19789S      | X19A34H2BP2S |              |              |
|      |             | XP        | 208-230/460 | 1.15 | 364TSC      | V19743S      | X19A34E3BP2S |              |              |
|      |             |           | 575         |      |             | X19A32H3BP2S | X19A34H3BP2S |              |              |
|      |             | DPPE      | 208-230/460 | 1.15 | 326TSC      | V19741SPE    | X19A34E4BM2S |              |              |
|      |             |           | 575         |      |             | X19A32H4BM2S | X19A34H4BM2S |              |              |
|      |             | TEPE      | 208-230/460 | 1.15 | 364TSC      | V19742SPE    | X19A34E5BP2S |              |              |
|      |             |           | 575         |      |             | X19A32H5BP2S | X19A34H5BP2S |              |              |
|      |             | 75        | 3           | ODP  | 208-230/460 | 1.15         | 365TSC       | V20741S      | X20A34E1BP2S |
|      |             |           |             |      | 575         |              |              | V20779S      | X20A34H1BP2S |
| TEFC | 208-230/460 |           |             | 1.15 | 365TSC      | V20742S      | X20A34E2BP2S |              |              |
|      | 575         |           |             |      |             | V20789S      | X20A34H2BP2S |              |              |
| XP   | 208-230/460 |           |             | 1.15 | 365TSC      | V20743S      | X20A34E3BP2S |              |              |
|      | 575         |           |             |      |             | X20A32H3BP2S | X20A34H3BP2S |              |              |
| DPPE | 208-230/460 |           |             | 1.15 | 364TSC      | V20741SPE    | X20A34E4BP2S |              |              |
|      | 575         |           |             |      |             | X20A32H4BP2S | X20A34H4BP2S |              |              |
| TEPE | 208-230/460 |           |             | 1.15 | 365TSC      | V20742SPE    | X20A34E5BP2S |              |              |
|      | 575         |           |             |      |             | X20A32H5BP2S | X20A34H5BP2S |              |              |

#### NOTES:

- <sup>1</sup> Locked rotor amps are for high voltage only.
  - Motors are suitable for HYDROVAR® Variable Speed Drive.
- Above data is for Baldor® TC and TSC frame motors. Specifications subject to change without notice.

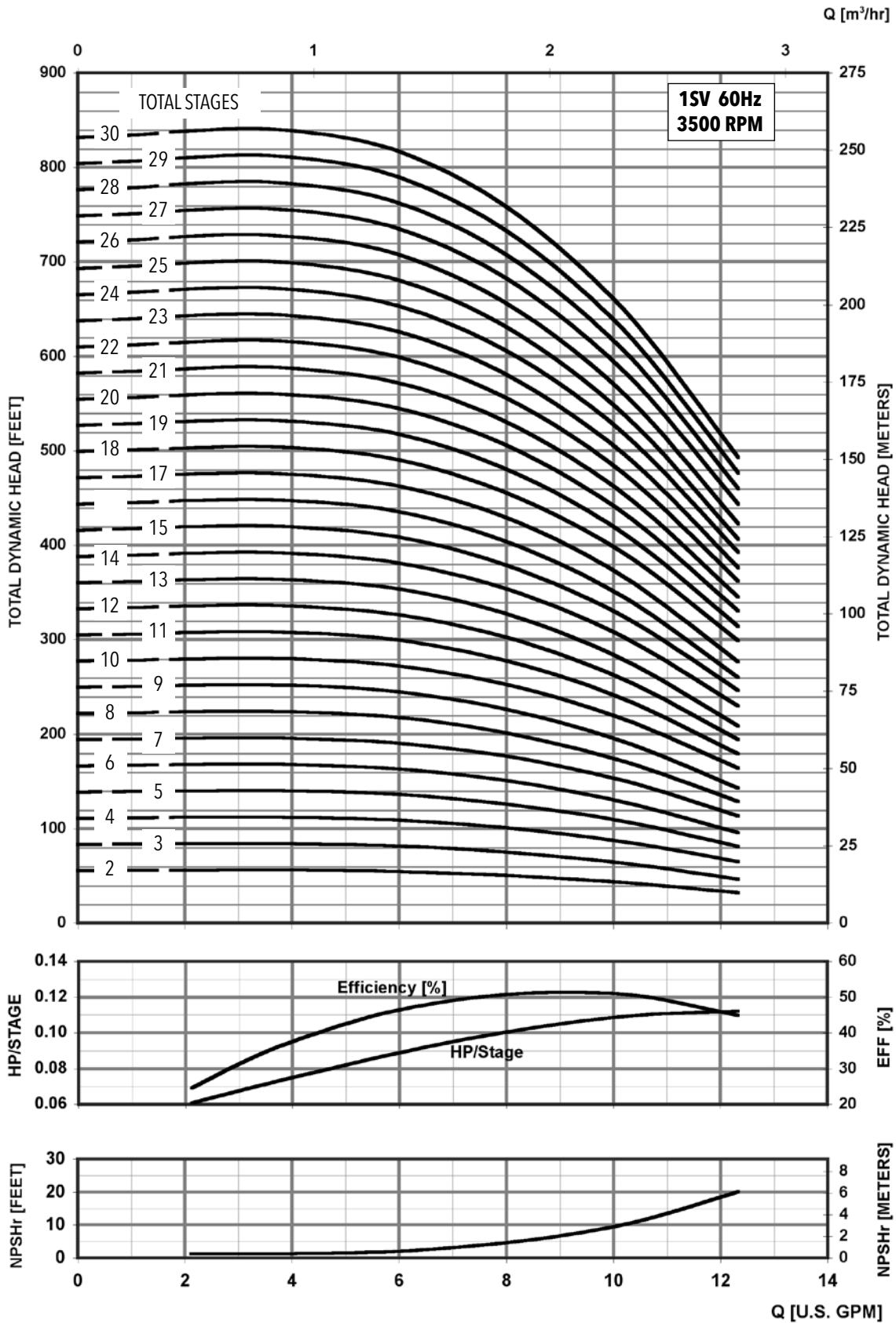


All dimensions are in inches (mm).

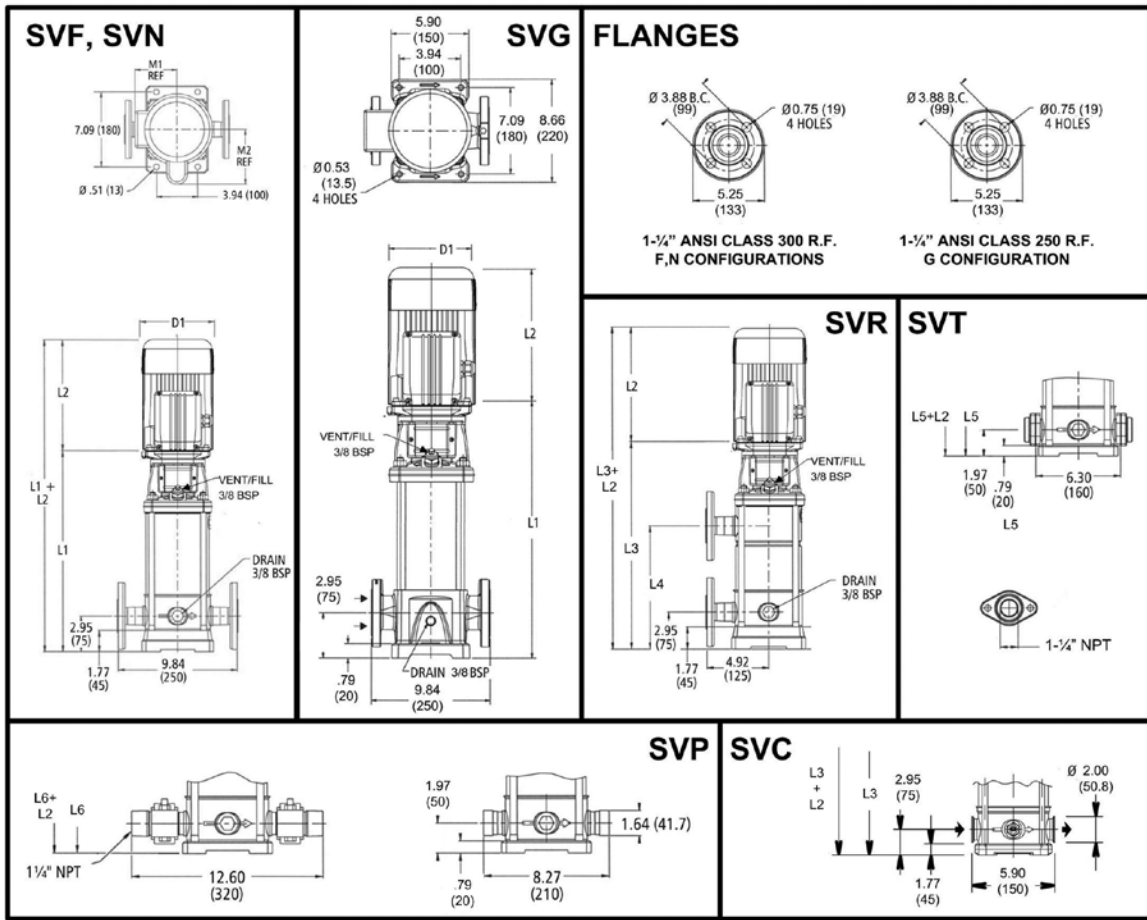
### 1SV SERIES – 60Hz, 3500 RPM ODP/TEFC Enclosures

| Pump Type Stages | Motor |            |         |        | Dimensions (in) |       |        |         |        |         |       |      |      |      |          |           |         |        | Weight (lbs.) |    |           |        |         |        |         |            |         |        |         |
|------------------|-------|------------|---------|--------|-----------------|-------|--------|---------|--------|---------|-------|------|------|------|----------|-----------|---------|--------|---------------|----|-----------|--------|---------|--------|---------|------------|---------|--------|---------|
|                  | HP    | NEMA Frame |         |        |                 | L1    | L2     |         |        |         | L3    | L4   | L5   | L6   | M (Ref.) | D1 (max.) |         |        |               | D2 | Pump Only | Motor  |         |        |         | Pump/Motor |         |        |         |
|                  |       | ODP 10     | TEFC 10 | ODP 30 | TEFC 30         |       | ODP 10 | TEFC 10 | ODP 30 | TEFC 30 |       |      |      |      |          | ODP 10    | TEFC 10 | ODP 30 | TEFC 30       |    |           | ODP 10 | TEFC 10 | ODP 30 | TEFC 30 | ODP 10     | TEFC 10 | ODP 30 | TEFC 30 |
| 1SV-02           | 0.5   | 56C        | 13.27   | 9.16   | 9.29            | 9.16  | 9.29   | -       | -      | 12.29   | 12.29 | 5.19 | 6.19 | 6.19 | 6.19     | 4.13      | 25      | 21     | 21            | 19 | 19        | 46     | 46      | 44     | 44      |            |         |        |         |
| 1SV-03           |       |            | 13.27   | 9.16   | 9.29            | 9.16  | 9.29   | -       | -      | 12.29   | 12.29 | 5.19 | 6.19 | 6.19 | 6.19     | 4.13      | 26      | 21     | 21            | 19 | 19        | 47     | 47      | 45     | 45      |            |         |        |         |
| 1SV-04           |       |            | 14.06   | 9.16   | 9.29            | 9.16  | 9.29   | -       | -      | 13.07   | 13.07 | 5.19 | 6.19 | 6.19 | 6.19     | 4.13      | 27      | 21     | 21            | 19 | 19        | 48     | 48      | 46     | 46      |            |         |        |         |
| 1SV-05           | 0.75  | 14.85      | 9.16    | 9.29   | 9.16            | 9.29  | -      | -       | 13.86  | 13.86   | 5.19  | 6.19 | 6.19 | 6.19 | 4.13     | 28        | 21      | 21     | 19            | 19 | 49        | 49     | 47      | 47     |         |            |         |        |         |
| 1SV-06           |       | 15.63      | 10.79   | 9.91   | 9.16            | 9.29  | -      | -       | 14.65  | 14.65   | 5.19  | 6.19 | 6.19 | 6.19 | 4.13     | 28        | 27      | 29     | 21            | 21 | 55        | 57     | 49      | 49     |         |            |         |        |         |
| 1SV-07           |       | 16.42      | 10.79   | 9.91   | 9.16            | 9.29  | -      | -       | 15.44  | 15.44   | 5.19  | 6.19 | 6.19 | 6.19 | 4.13     | 29        | 27      | 29     | 21            | 21 | 56        | 58     | 50      | 50     |         |            |         |        |         |
| 1SV-08           | 1     | 17.21      | 10.79   | 9.91   | 9.16            | 9.29  | 17.21  | 8.94    | 16.22  | 16.22   | 5.19  | 6.19 | 6.19 | 6.19 | 4.13     | 30        | 27      | 29     | 21            | 21 | 57        | 59     | 51      | 51     |         |            |         |        |         |
| 1SV-09           |       | 18.00      | 10.66   | 11.19  | 9.16            | 9.29  | 18.00  | 9.72    | 17.01  | 17.01   | 5.74  | 6.19 | 7.19 | 6.19 | 4.13     | 31        | 32      | 40     | 23            | 23 | 63        | 71     | 54      | 54     |         |            |         |        |         |
| 1SV-10           |       | 18.78      | 10.66   | 11.19  | 9.16            | 9.29  | 18.78  | 10.51   | 17.80  | 17.80   | 5.74  | 6.19 | 7.19 | 6.19 | 4.13     | 32        | 32      | 40     | 23            | 23 | 64        | 72     | 55      | 55     |         |            |         |        |         |
| 1SV-11           | 1.5   | 19.57      | 10.67   | 11.19  | 10.66           | 9.91  | 19.57  | 11.30   | 18.59  | 18.59   | 5.74  | 6.19 | 7.19 | 6.19 | 4.72     | 33        | 32      | 40     | 30            | 28 | 65        | 73     | 63      | 61     |         |            |         |        |         |
| 1SV-12           |       | 20.36      | 10.67   | 11.19  | 10.66           | 9.91  | 20.36  | 12.09   | 19.37  | 19.37   | 5.74  | 6.19 | 7.19 | 6.19 | 4.72     | 34        | 32      | 40     | 30            | 28 | 66        | 74     | 64      | 62     |         |            |         |        |         |
| 1SV-13           |       | 21.14      | 10.67   | 11.19  | 10.66           | 9.91  | 21.14  | 12.87   | 20.16  | 20.16   | 5.74  | 6.19 | 7.19 | 6.19 | 4.72     | 35        | 32      | 40     | 30            | 28 | 67        | 75     | 65      | 63     |         |            |         |        |         |
| 1SV-14           | 2     | 21.93      | 10.67   | 11.19  | 10.66           | 9.91  | 21.93  | 13.66   | 20.95  | 20.95   | 5.74  | 6.19 | 7.19 | 6.19 | 4.72     | 36        | 32      | 40     | 30            | 28 | 68        | 76     | 66      | 64     |         |            |         |        |         |
| 1SV-15           |       | 22.72      | 10.67   | 11.19  | 10.66           | 9.91  | 22.72  | 14.45   | 21.74  | 21.74   | 5.74  | 6.19 | 7.19 | 6.19 | 4.72     | 37        | 32      | 40     | 30            | 28 | 69        | 77     | 67      | 65     |         |            |         |        |         |
| 1SV-16           |       | 23.51      | 11.18   | 12.06  | 11.16           | 10.79 | 23.51  | 15.24   | 22.52  | 22.52   | 5.74  | 7.19 | 7.19 | 6.19 | 4.72     | 38        | 43      | 51     | 32            | 33 | 81        | 89     | 70      | 71     |         |            |         |        |         |
| 1SV-17           | 3     | 24.29      | 11.18   | 12.06  | 11.16           | 10.79 | 24.29  | 16.02   | 23.31  | 23.31   | 5.74  | 7.19 | 7.19 | 6.19 | 4.72     | 38        | 43      | 51     | 32            | 33 | 81        | 89     | 70      | 71     |         |            |         |        |         |
| 1SV-18           |       | 25.08      | 11.18   | 12.06  | 11.16           | 10.79 | 25.08  | 16.81   | 24.10  | 24.10   | 5.74  | 7.19 | 7.19 | 6.19 | 4.72     | 39        | 43      | 51     | 32            | 33 | 82        | 90     | 71      | 72     |         |            |         |        |         |
| 1SV-19           |       | 25.87      | 11.18   | 12.06  | 11.16           | 10.79 | 25.87  | 17.60   | 24.89  | 24.89   | 5.74  | 7.19 | 7.19 | 6.19 | 4.72     | 40        | 43      | 51     | 32            | 33 | 83        | 91     | 72      | 73     |         |            |         |        |         |
| 1SV-20           | 3     | 26.66      | 11.18   | 12.06  | 11.16           | 10.79 | 26.66  | 18.39   | -      | 25.67   | 5.74  | 7.19 | 7.19 | 6.19 | 4.72     | 41        | 43      | 51     | 32            | 33 | 84        | 92     | 73      | 74     |         |            |         |        |         |
| 1SV-21           |       | 27.44      | 11.57   | 13.44  | 11.18           | 11.16 | 27.44  | 19.17   | -      | 26.46   | 5.75  | 6.50 | 7.19 | 7.16 | 7.19     | 5.51      | 42      | 49     | 64            | 41 | 44        | 91     | 106     | 83     | 86      |            |         |        |         |
| 1SV-22           |       | 28.23      | 11.57   | 13.44  | 11.18           | 11.16 | 28.23  | 19.96   | -      | 27.25   | 5.75  | 6.50 | 7.19 | 7.16 | 7.19     | 5.51      | 43      | 49     | 64            | 41 | 44        | 92     | 107     | 84     | 87      |            |         |        |         |
| 1SV-23           | 3     | 29.02      | 11.57   | 13.44  | 11.18           | 11.16 | 29.02  | 20.75   | -      | 28.03   | 5.75  | 6.50 | 7.19 | 7.16 | 7.19     | 5.51      | 45      | 49     | 64            | 41 | 44        | 94     | 109     | 86     | 89      |            |         |        |         |
| 1SV-24           |       | 29.81      | 11.57   | 13.44  | 11.18           | 11.16 | 29.81  | 21.54   | -      | 28.82   | 5.75  | 6.50 | 7.19 | 7.16 | 7.19     | 5.51      | 46      | 49     | 64            | 41 | 44        | 95     | 110     | 87     | 90      |            |         |        |         |
| 1SV-25           |       | 30.59      | 11.57   | 13.44  | 11.18           | 11.16 | 30.59  | 22.32   | -      | 29.61   | 5.75  | 6.50 | 7.19 | 7.16 | 7.19     | 5.51      | 47      | 49     | 64            | 41 | 44        | 96     | 111     | 88     | 91      |            |         |        |         |
| 1SV-26           | 3     | 31.38      | 11.57   | 13.44  | 11.18           | 11.16 | 31.38  | 23.11   | -      | 30.40   | 5.75  | 6.50 | 7.19 | 7.16 | 7.19     | 5.51      | 47      | 49     | 64            | 41 | 44        | 96     | 111     | 88     | 91      |            |         |        |         |
| 1SV-27           |       | 32.17      | 11.57   | 13.44  | 11.18           | 11.16 | 32.17  | 23.90   | -      | 31.18   | 5.75  | 6.50 | 7.19 | 7.16 | 7.19     | 5.51      | 48      | 49     | 64            | 41 | 44        | 97     | 112     | 89     | 92      |            |         |        |         |
| 1SV-28           |       | 32.96      | 11.57   | 13.44  | 11.18           | 11.16 | 32.96  | 24.68   | -      | 31.97   | 5.75  | 6.50 | 7.19 | 7.16 | 7.19     | 5.51      | 49      | 49     | 64            | 41 | 44        | 98     | 113     | 90     | 93      |            |         |        |         |
| 1SV-29           | 3     | 34.14      | 11.57   | 13.44  | 11.18           | 11.16 | 34.14  | 25.47   | -      | 33.15   | 5.75  | 6.50 | 7.19 | 7.16 | 7.19     | 5.51      | 50      | 49     | 64            | 41 | 44        | 99     | 114     | 91     | 94      |            |         |        |         |
| 1SV-30           |       | 34.53      | 11.57   | 13.44  | 11.18           | 11.16 | -      | -       | -      | 33.55   | 5.75  | 6.50 | 7.19 | 7.16 | 7.19     | 5.51      | 51      | 49     | 64            | 41 | 44        | 100    | 115     | 92     | 95      |            |         |        |         |





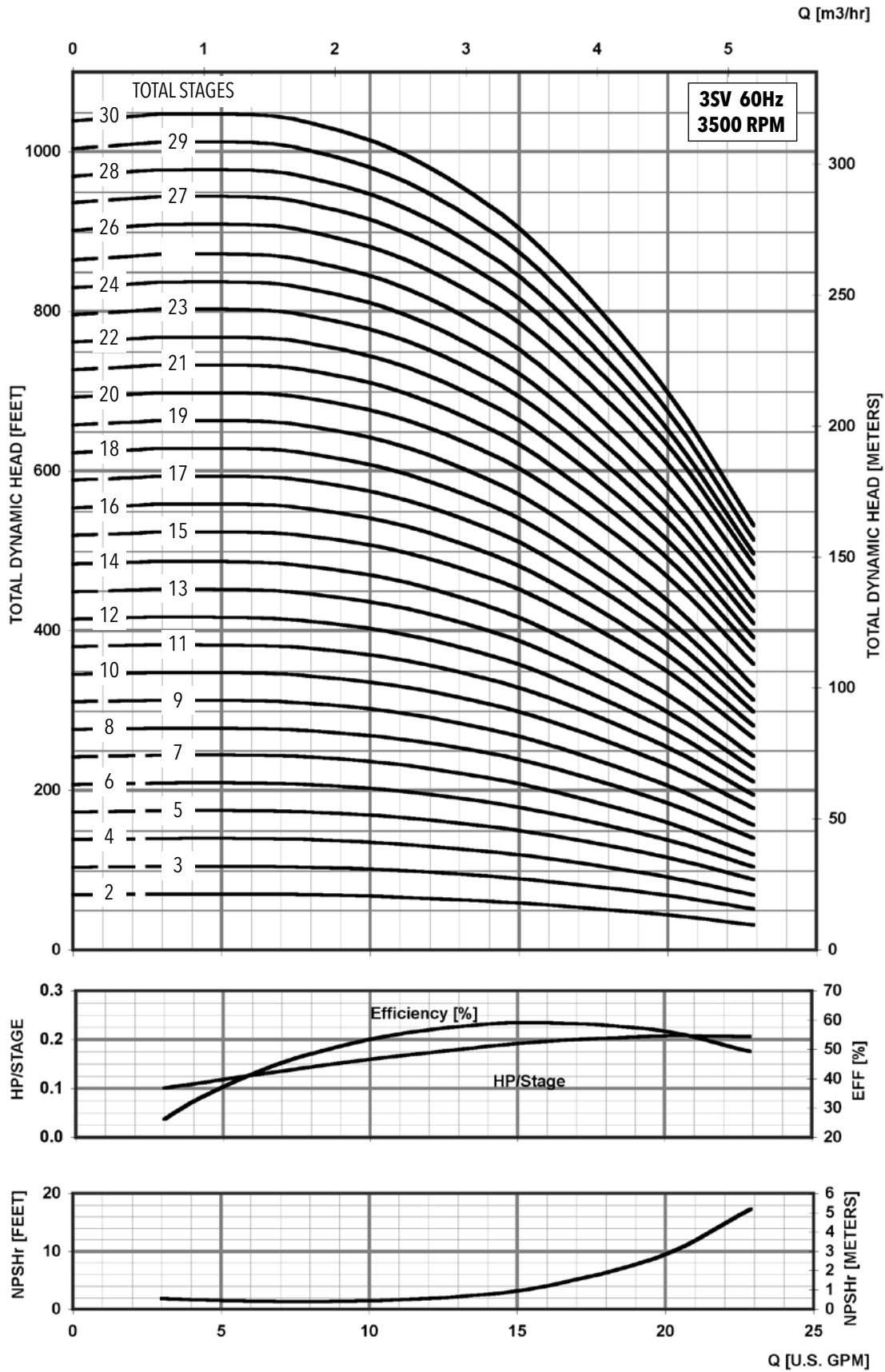
**MINIMUM FLOW RATE: 2 GPM [½ m<sup>3</sup>/hr]**

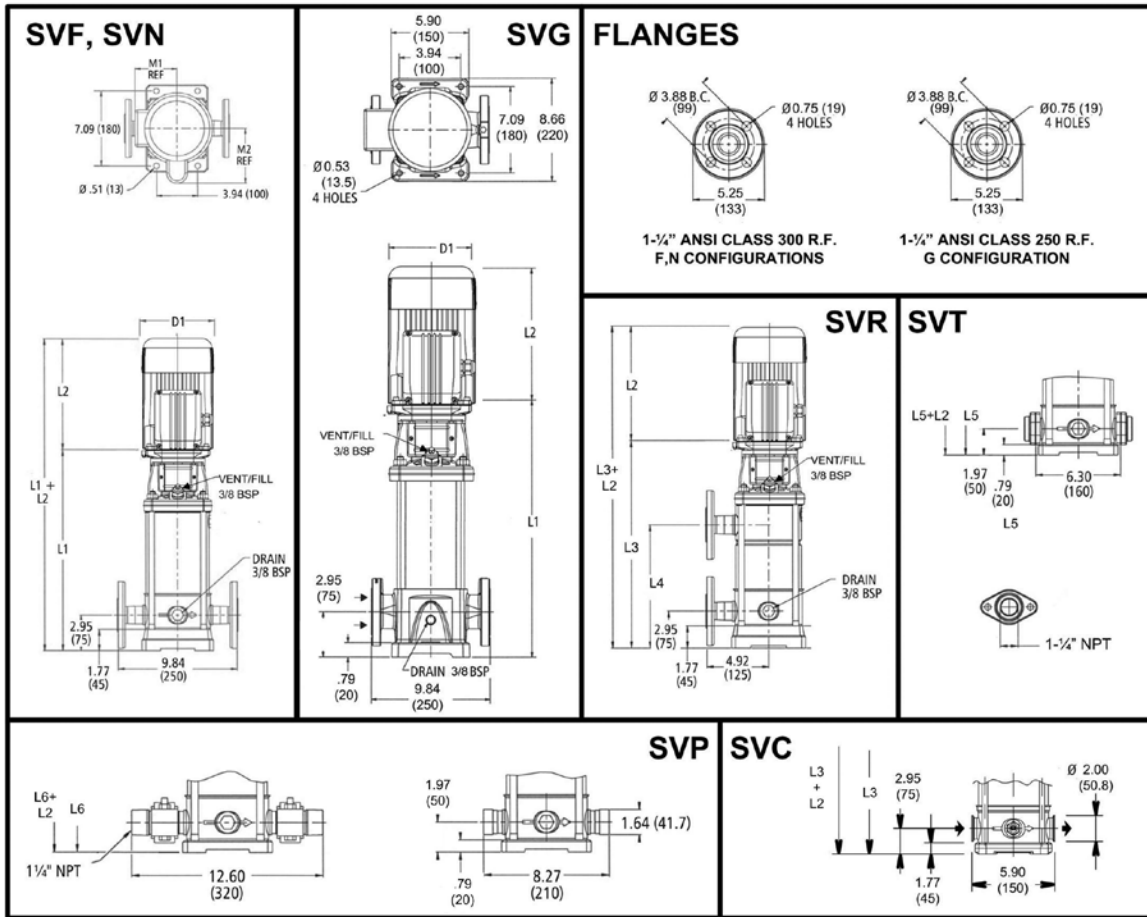


All dimensions are in inches (mm).

### 3SV SERIES – 60Hz, 3500 RPM ODP/TEFC Enclosures

| Pump Type Stages | Motor |            |         |        | Dimensions (in) |       |        |         |        |         |       |       |       |       |          | Weight (lbs.) |         |        |         |      |           |        |         |        |         |            |         |        |         |
|------------------|-------|------------|---------|--------|-----------------|-------|--------|---------|--------|---------|-------|-------|-------|-------|----------|---------------|---------|--------|---------|------|-----------|--------|---------|--------|---------|------------|---------|--------|---------|
|                  | HP    | NEMA Frame |         |        |                 | L1    | L2     |         |        |         | L3    | L4    | L5    | L6    | M (Ref.) | D1 (max.)     |         |        |         | D2   | Pump Only | Motor  |         |        |         | Pump/Motor |         |        |         |
|                  |       | ODP 1Ø     | TEFC 1Ø | ODP 3Ø | TEFC 3Ø         |       | ODP 1Ø | TEFC 1Ø | ODP 3Ø | TEFC 3Ø |       |       |       |       |          | ODP 1Ø        | TEFC 1Ø | ODP 3Ø | TEFC 3Ø |      |           | ODP 1Ø | TEFC 1Ø | ODP 3Ø | TEFC 3Ø | ODP 1Ø     | TEFC 1Ø | ODP 3Ø | TEFC 3Ø |
| 3SV-02           | 0.5   | 56C        |         |        |                 | 13.27 | 9.16   | 9.29    | 9.16   | 9.29    | -     | -     | 12.29 | 12.29 | 5.19     | 6.19          | 6.19    | 6.19   | 6.19    | 4.13 | 24        | 21     | 21      | 19     | 19      | 45         | 45      | 43     | 43      |
| 3SV-03           |       |            |         |        |                 | 13.27 | 9.16   | 9.29    | 9.16   | 9.29    | -     | -     | 12.29 | 12.29 | 5.19     | 6.19          | 6.19    | 6.19   | 6.19    | 4.13 | 25        | 21     | 21      | 19     | 19      | 46         | 46      | 44     | 44      |
| 3SV-04           | 0.75  | 56C        |         |        |                 | 14.06 | 10.79  | 9.91    | 9.16   | 9.29    | -     | -     | 13.07 | 13.07 | 5.19     | 6.19          | 6.19    | 6.19   | 6.19    | 4.13 | 26        | 27     | 29      | 21     | 21      | 53         | 55      | 47     | 47      |
| 3SV-05           | 1     |            |         |        |                 | 14.85 | 10.66  | 11.19   | 9.16   | 9.29    | -     | -     | 13.86 | 13.86 | 5.74     | 6.19          | 7.19    | 6.19   | 6.19    | 4.13 | 27        | 32     | 40      | 23     | 23      | 59         | 67      | 50     | 50      |
| 3SV-06           | 1.5   | 56C        |         |        |                 | 15.63 | 10.67  | 11.19   | 10.66  | 9.91    | -     | -     | 14.65 | 14.65 | 5.74     | 6.19          | 7.19    | 6.19   | 6.19    | 4.72 | 28        | 32     | 40      | 30     | 28      | 60         | 68      | 58     | 56      |
| 3SV-07           |       |            |         |        |                 | 16.42 | 10.67  | 11.19   | 10.66  | 9.91    | -     | -     | 15.44 | 15.44 | 5.74     | 6.19          | 7.19    | 6.19   | 6.19    | 4.72 | 30        | 32     | 40      | 30     | 28      | 62         | 70      | 60     | 58      |
| 3SV-08           | 2     | 56C        |         |        |                 | 17.21 | 10.67  | 11.19   | 10.66  | 9.91    | 17.21 | 8.94  | 16.22 | 16.22 | 5.74     | 6.19          | 7.19    | 6.19   | 6.19    | 4.72 | 31        | 32     | 40      | 30     | 28      | 63         | 71      | 61     | 59      |
| 3SV-09           |       |            |         |        |                 | 18.00 | 11.18  | 12.06   | 11.16  | 10.79   | 18.00 | 9.72  | 17.01 | 17.01 | 5.74     | 7.19          | 7.19    | 6.19   | 6.19    | 4.72 | 32        | 43     | 51      | 32     | 33      | 75         | 83      | 64     | 65      |
| 3SV-10           | 3     | 56C        |         |        |                 | 18.78 | 11.18  | 12.06   | 11.16  | 10.79   | 18.78 | 10.51 | 17.80 | 17.80 | 5.74     | 7.19          | 7.19    | 6.19   | 6.19    | 4.72 | 33        | 43     | 51      | 32     | 33      | 76         | 84      | 65     | 66      |
| 3SV-11           |       |            |         |        |                 | 19.57 | 11.18  | 12.06   | 11.16  | 10.79   | 19.57 | 11.30 | 18.59 | 18.59 | 5.74     | 7.19          | 7.19    | 6.19   | 6.19    | 4.72 | 34        | 43     | 51      | 32     | 33      | 77         | 85      | 66     | 67      |
| 3SV-12           | 3     | 56C        |         |        |                 | 20.36 | 11.57  | 13.44   | 11.18  | 11.16   | 20.36 | 12.09 | 19.37 | 19.37 | 5.75     | 6.50          | 7.19    | 7.16   | 7.19    | 5.51 | 35        | 49     | 64      | 41     | 44      | 84         | 99      | 76     | 79      |
| 3SV-13           |       |            |         |        |                 | 21.14 | 11.57  | 13.44   | 11.18  | 11.16   | 21.14 | 12.87 | 20.16 | 20.16 | 5.75     | 6.50          | 7.19    | 7.16   | 7.19    | 5.51 | 36        | 49     | 64      | 41     | 44      | 85         | 100     | 77     | 80      |
| 3SV-14           | 3     | 56C        |         |        |                 | 21.93 | 11.57  | 13.44   | 11.18  | 11.16   | 21.93 | 13.66 | 20.95 | 20.95 | 5.75     | 6.50          | 7.19    | 7.16   | 7.19    | 5.51 | 37        | 49     | 64      | 41     | 44      | 86         | 101     | 78     | 81      |
| 3SV-15           |       |            |         |        |                 | 22.72 | 11.57  | 13.44   | 11.18  | 11.16   | 22.72 | 14.45 | -     | 21.74 | 5.75     | 6.50          | 7.19    | 7.16   | 7.19    | 5.51 | 38        | 49     | 64      | 41     | 44      | 87         | 102     | 79     | 82      |
| 3SV-16           | 5     | 184TC      |         |        |                 | 23.51 | 11.57  | 13.44   | 11.18  | 11.16   | 23.51 | 15.24 | -     | 22.52 | 5.75     | 6.50          | 7.19    | 7.16   | 7.19    | 5.51 | 39        | 49     | 64      | 41     | 44      | 88         | 103     | 80     | 83      |
| 3SV-17           |       |            |         |        |                 | 24.99 | 13.93  | 15.43   | 12.55  | 13.93   | 24.99 | 16.02 | -     | 24.01 | 6.87     | 8.88          | 8.86    | 9.02   | 8.86    | 5.51 | 42        | 81     | 92      | 62     | 69      | 123        | 134     | 104    | 111     |
| 3SV-18           | 5     | 184TC      |         |        |                 | 25.78 | 13.93  | 15.43   | 12.55  | 13.93   | 25.78 | 16.81 | -     | 24.80 | 6.87     | 8.88          | 8.86    | 9.02   | 8.86    | 5.51 | 43        | 81     | 92      | 62     | 69      | 124        | 135     | 105    | 112     |
| 3SV-19           |       |            |         |        |                 | 26.57 | 13.93  | 15.43   | 12.55  | 13.93   | 26.57 | 17.60 | -     | 25.59 | 6.87     | 8.88          | 8.86    | 9.02   | 8.86    | 5.51 | 43        | 81     | 92      | 62     | 69      | 124        | 135     | 105    | 112     |
| 3SV-20           | 5     | 182TC      |         |        |                 | 27.36 | 13.93  | 15.43   | 12.55  | 13.93   | 27.36 | 18.39 | -     | 26.37 | 6.87     | 8.88          | 8.86    | 9.02   | 8.86    | 5.51 | 44        | 81     | 92      | 62     | 69      | 125        | 136     | 106    | 113     |
| 3SV-21           |       |            |         |        |                 | 28.14 | 13.93  | 15.43   | 12.55  | 13.93   | 28.14 | 19.17 | -     | 27.16 | 6.87     | 8.88          | 8.86    | 9.02   | 8.86    | 5.51 | 45        | 81     | 92      | 62     | 69      | 126        | 137     | 107    | 114     |
| 3SV-22           | 5     | 184TC      |         |        |                 | 28.93 | 13.93  | 15.43   | 12.55  | 13.93   | 28.93 | 19.96 | -     | 27.95 | 6.87     | 8.88          | 8.86    | 9.02   | 8.86    | 5.51 | 46        | 81     | 92      | 62     | 69      | 127        | 138     | 108    | 115     |
| 3SV-23           |       |            |         |        |                 | 29.72 | 13.93  | 15.43   | 12.55  | 13.93   | 29.72 | 20.75 | -     | 28.73 | 6.87     | 8.88          | 8.86    | 9.02   | 8.86    | 5.51 | 47        | 81     | 92      | 62     | 69      | 128        | 139     | 109    | 116     |
| 3SV-24           | 5     | 184TC      |         |        |                 | 30.51 | 13.93  | 15.43   | 12.55  | 13.93   | -     | -     | -     | 29.52 | 6.87     | 8.88          | 8.86    | 9.02   | 8.86    | 5.51 | 48        | 81     | 92      | 62     | 69      | 129        | 140     | 110    | 117     |
| 3SV-25           |       |            |         |        |                 | 31.29 | 13.93  | 15.43   | 12.55  | 13.93   | -     | -     | -     | 30.31 | 6.87     | 8.88          | 8.86    | 9.02   | 8.86    | 5.51 | 49        | 81     | 92      | 62     | 69      | 130        | 141     | 111    | 118     |
| 3SV-26           | 5     | 184TC      |         |        |                 | 32.08 | 13.93  | 15.43   | 12.55  | 13.93   | -     | -     | -     | 31.10 | 6.87     | 8.88          | 8.86    | 9.02   | 8.86    | 5.51 | 50        | 81     | 92      | 62     | 69      | 131        | 142     | 112    | 119     |
| 3SV-27           |       |            |         |        |                 | 32.47 | 13.93  | 15.43   | 12.55  | 13.93   | -     | -     | -     | 31.49 | 6.87     | 8.88          | 8.86    | 9.02   | 8.86    | 5.51 | 52        | 81     | 92      | 62     | 69      | 133        | 144     | 114    | 121     |
| 3SV-28           | 7.5   | 213TC      |         |        |                 | 33.26 | 13.88  | 15.53   | 13.93  | 15.43   | -     | -     | -     | 32.28 | 8.05     | 8.89          | 10.62   | 8.88   | 8.86    | 5.51 | 53        | 100    | 120     | 75     | 85      | 153        | 173     | 128    | 138     |
| 3SV-29           |       |            |         |        |                 | 34.44 | 13.88  | 15.53   | 13.93  | 15.43   | -     | -     | -     | 33.46 | 8.05     | 8.89          | 10.62   | 8.88   | 8.86    | 5.51 | 54        | 100    | 120     | 75     | 85      | 154        | 174     | 129    | 139     |
| 3SV-30           | 35.23 | 13.88      | 15.53   | 13.93  | 15.43           | -     | -      | -       | 34.25  | 8.05    | 8.89  | 10.62 | 8.88  | 8.86  | 5.51     | 55            | 100     | 120    | 75      | 85   | 155       | 175    | 130     | 140    |         |            |         |        |         |





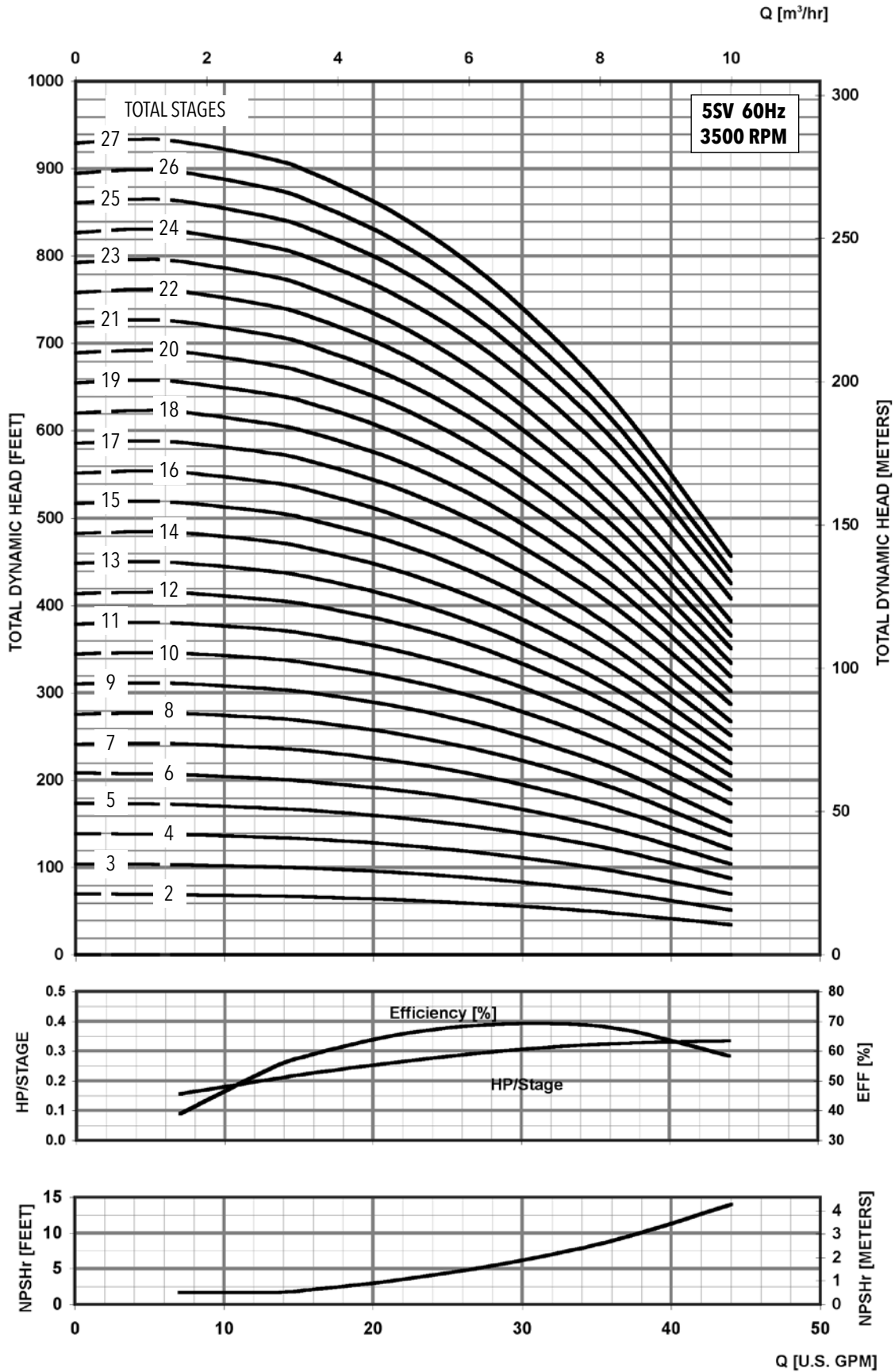
### 5SV SERIES – 60Hz, 3500 RPM ODP/TEFC Enclosures

| Pump Type Stages | Motor |            |         |        | Dimensions (in) |       |        |         |        |         |       |       |       |       |          |           |         | Weight (lbs.) |         |      |           |        |         |        |         |            |         |        |         |
|------------------|-------|------------|---------|--------|-----------------|-------|--------|---------|--------|---------|-------|-------|-------|-------|----------|-----------|---------|---------------|---------|------|-----------|--------|---------|--------|---------|------------|---------|--------|---------|
|                  | HP    | NEMA Frame |         |        |                 | L1    | L2     |         |        |         | L3    | L4    | L5    | L6    | M (Ref.) | D1 (max.) |         |               |         | D2   | Pump Only | Motor  |         |        |         | Pump/Motor |         |        |         |
|                  |       | ODP 1Ø     | TEFC 1Ø | ODP 3Ø | TEFC 3Ø         |       | ODP 1Ø | TEFC 1Ø | ODP 3Ø | TEFC 3Ø |       |       |       |       |          | ODP 1Ø    | TEFC 1Ø | ODP 3Ø        | TEFC 3Ø |      |           | ODP 1Ø | TEFC 1Ø | ODP 3Ø | TEFC 3Ø | ODP 1Ø     | TEFC 1Ø | ODP 3Ø | TEFC 3Ø |
| 5SV-02           | 0.75  |            |         |        |                 | 13.86 | 10.79  | 9.91    | 9.16   | 9.29    | -     | -     | 12.88 | 12.88 | 5.19     | 6.19      | 6.19    | 6.19          | 6.19    | 4.13 | 25        | 27     | 29      | 21     | 21      | 52         | 54      | 46     | 46      |
| 5SV-03           | 1     |            |         |        |                 | 13.86 | 10.66  | 11.19   | 9.16   | 9.29    | -     | -     | 12.88 | 12.88 | 5.74     | 6.19      | 7.19    | 6.19          | 6.19    | 4.13 | 26        | 32     | 40      | 23     | 23      | 58         | 66      | 49     | 49      |
| 5SV-04           |       |            |         |        |                 | 14.85 | 10.67  | 11.19   | 10.66  | 9.91    | -     | -     | 13.86 | 13.86 | 5.74     | 6.19      | 7.19    | 6.19          | 6.19    | 4.72 | 28        | 32     | 40      | 30     | 28      | 60         | 68      | 58     | 56      |
| 5SV-05           |       |            |         |        |                 | 15.83 | 10.67  | 11.19   | 10.66  | 9.91    | -     | -     | 14.85 | 14.85 | 5.74     | 6.19      | 7.19    | 6.19          | 6.19    | 4.72 | 29        | 32     | 40      | 30     | 28      | 61         | 69      | 59     | 57      |
| 5SV-06           |       |            |         |        |                 | 16.81 | 11.18  | 12.06   | 11.16  | 10.79   | -     | -     | 15.83 | 15.83 | 5.74     | 7.19      | 7.19    | 6.19          | 6.19    | 4.72 | 30        | 43     | 51      | 32     | 33      | 73         | 81      | 62     | 63      |
| 5SV-07           |       |            |         |        |                 | 17.80 | 11.18  | 12.06   | 11.16  | 10.79   | 17.80 | 9.53  | 16.81 | 16.81 | 5.74     | 7.19      | 7.19    | 6.19          | 6.19    | 4.72 | 31        | 43     | 51      | 32     | 33      | 74         | 82      | 63     | 64      |
| 5SV-08           |       |            |         |        |                 | 18.78 | 11.57  | 13.44   | 11.18  | 11.16   | 18.78 | 10.51 | 17.80 | 17.80 | 5.75     | 6.50      | 7.19    | 7.16          | 7.19    | 5.51 | 33        | 49     | 64      | 41     | 44      | 82         | 97      | 74     | 77      |
| 5SV-09           |       |            |         |        |                 | 19.77 | 11.57  | 13.44   | 11.18  | 11.16   | 19.77 | 11.50 | 18.78 | 18.78 | 5.75     | 6.50      | 7.19    | 7.16          | 7.19    | 5.51 | 33        | 49     | 64      | 41     | 44      | 82         | 97      | 74     | 77      |
| 5SV-10           |       |            |         |        |                 | 20.75 | 11.57  | 13.44   | 11.18  | 11.16   | 20.75 | 12.48 | 19.77 | 19.77 | 5.75     | 6.50      | 7.19    | 7.16          | 7.19    | 5.51 | 34        | 49     | 64      | 41     | 44      | 83         | 98      | 75     | 78      |
| 5SV-11           |       |            |         |        |                 | 22.44 | 13.93  | 15.43   | 12.55  | 13.93   | 22.44 | 13.46 | 21.45 | 21.45 | 6.87     | 8.88      | 8.86    | 9.02          | 8.86    | 5.51 | 37        | 81     | 92      | 62     | 69      | 118        | 129     | 99     | 106     |
| 5SV-12           |       |            |         |        |                 | 23.42 | 13.93  | 15.43   | 12.55  | 13.93   | 23.42 | 14.45 | 22.44 | 22.44 | 6.87     | 8.88      | 8.86    | 9.02          | 8.86    | 5.51 | 38        | 81     | 92      | 62     | 69      | 119        | 130     | 100    | 107     |
| 5SV-13           |       |            |         |        |                 | 24.40 | 13.93  | 15.43   | 12.55  | 13.93   | 24.40 | 15.43 | 23.42 | 23.42 | 6.87     | 8.88      | 8.86    | 9.02          | 8.86    | 5.51 | 40        | 81     | 92      | 62     | 69      | 121        | 132     | 102    | 109     |
| 5SV-14           |       |            |         |        |                 | 25.39 | 13.93  | 15.43   | 12.55  | 13.93   | 25.39 | 16.42 | 24.40 | 24.40 | 6.87     | 8.88      | 8.86    | 9.02          | 8.86    | 5.51 | 40        | 81     | 92      | 62     | 69      | 121        | 132     | 102    | 109     |
| 5SV-15           |       |            |         |        |                 | 26.37 | 13.93  | 15.43   | 12.55  | 13.93   | 26.37 | 17.40 | -     | 25.39 | 6.87     | 8.88      | 8.86    | 9.02          | 8.86    | 5.51 | 41        | 81     | 92      | 62     | 69      | 122        | 133     | 103    | 110     |
| 5SV-16           |       |            |         |        |                 | 27.36 | 13.93  | 15.43   | 12.55  | 13.93   | 27.36 | 18.39 | -     | 26.37 | 6.87     | 8.88      | 8.86    | 9.02          | 8.86    | 5.51 | 43        | 81     | 92      | 62     | 69      | 124        | 135     | 105    | 112     |
| 5SV-17           |       |            |         |        |                 | 28.54 | 13.93  | 15.43   | 12.55  | 13.93   | 28.54 | 19.37 | -     | 27.55 | 6.87     | 8.88      | 8.86    | 9.02          | 8.86    | 5.51 | 45        | 81     | 92      | 62     | 69      | 126        | 137     | 107    | 114     |
| 5SV-18           |       |            |         |        |                 | 29.33 | 13.88  | 15.53   | 13.93  | 15.43   | 29.33 | 20.35 | -     | 28.34 | 8.05     | 8.89      | 10.62   | 8.88          | 8.86    | 5.51 | 46        | 100    | 120     | 75     | 85      | 146        | 166     | 121    | 131     |
| 5SV-19           |       |            |         |        |                 | 30.51 | 13.88  | 15.53   | 13.93  | 15.43   | 30.51 | 21.34 | -     | 29.52 | 8.05     | 8.89      | 10.62   | 8.88          | 8.86    | 5.51 | 47        | 100    | 120     | 75     | 85      | 147        | 167     | 122    | 132     |
| 5SV-20           |       |            |         |        |                 | 31.69 | 13.88  | 15.53   | 13.93  | 15.43   | 31.69 | 22.32 | -     | 30.70 | 8.05     | 8.89      | 10.62   | 8.88          | 8.86    | 5.51 | 48        | 100    | 120     | 75     | 85      | 148        | 168     | 123    | 133     |
| 5SV-21           |       |            |         |        |                 | 32.28 | 13.88  | 15.53   | 13.93  | 15.43   | 32.28 | 23.31 | -     | 31.29 | 8.05     | 8.89      | 10.62   | 8.88          | 8.86    | 5.51 | 49        | 100    | 120     | 75     | 85      | 149        | 169     | 124    | 134     |
| 5SV-22           |       |            |         |        |                 | 33.34 | 13.88  | 15.53   | 13.93  | 15.43   | 33.34 | 24.29 | -     | 32.36 | 8.05     | 8.89      | 10.62   | 8.88          | 8.86    | 5.51 | 50        | 100    | 120     | 75     | 85      | 150        | 170     | 125    | 135     |
| 5SV-23           |       |            |         |        |                 | 34.25 | 13.88  | 15.53   | 13.93  | 15.43   | 34.25 | 25.28 | -     | 33.26 | 8.05     | 8.89      | 10.62   | 8.88          | 8.86    | 5.51 | 51        | 100    | 120     | 75     | 85      | 151        | 171     | 126    | 136     |
| 5SV-24           |       |            |         |        |                 | 35.31 | 13.88  | 15.53   | 13.93  | 15.43   | -     | -     | -     | 34.33 | 8.05     | 8.89      | 10.62   | 8.88          | 8.86    | 5.51 | 53        | 100    | 120     | 75     | 85      | 153        | 173     | 128    | 138     |
| 5SV-25           |       |            |         |        |                 | 36.21 | 13.88  | 15.53   | 13.93  | 15.43   | -     | -     | -     | 35.23 | 8.05     | 8.89      | 10.62   | 8.88          | 8.86    | 5.51 | 53        | 100    | 120     | 75     | 85      | 153        | 173     | 128    | 138     |
| 5SV-26           |       |            |         |        |                 | 37.28 | 13.88  | 15.53   | 13.93  | 15.43   | -     | -     | -     | 36.29 | 8.05     | 8.89      | 10.62   | 8.88          | 8.86    | 5.51 | 54        | 100    | 120     | 75     | 85      | 154        | 174     | 129    | 139     |
| 5SV-27           | 10    | 215TC      | 213TC   | 215TC  |                 | 38.84 | 16.63  | 16.68   | 15.55  | 15.51   | -     | -     | -     | 37.86 | 8.77     | 10.62     | 10.18   | 10.18         | 10.28   | 5.51 | 62        | 132    | 145     | 107    | 122     | 194        | 207     | 169    | 184     |

### Performance Curve

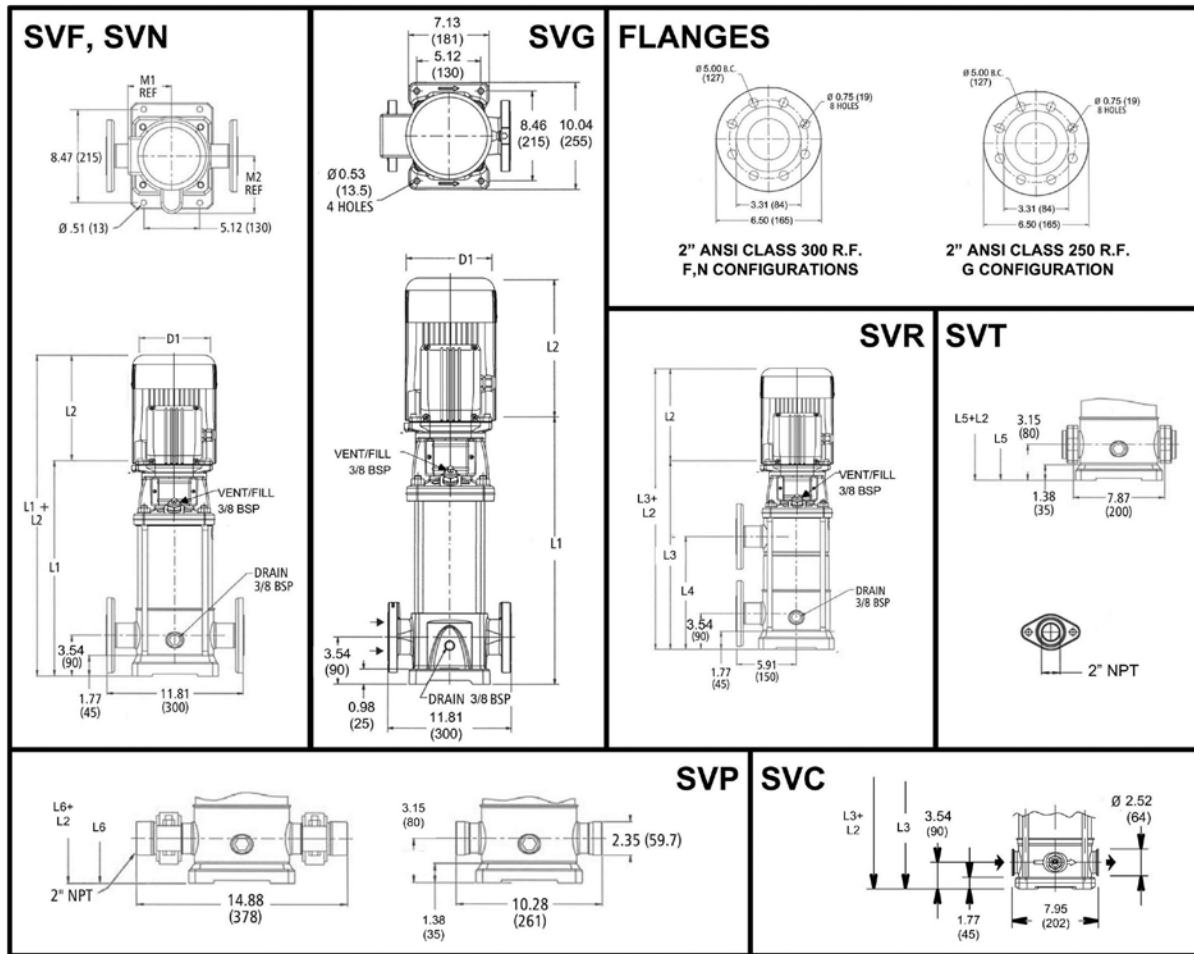
### 5SV 3500 RPM

60 Hz



**MINIMUM FLOW RATE: 7 GPM [1.6 m<sup>3</sup>/hr]**



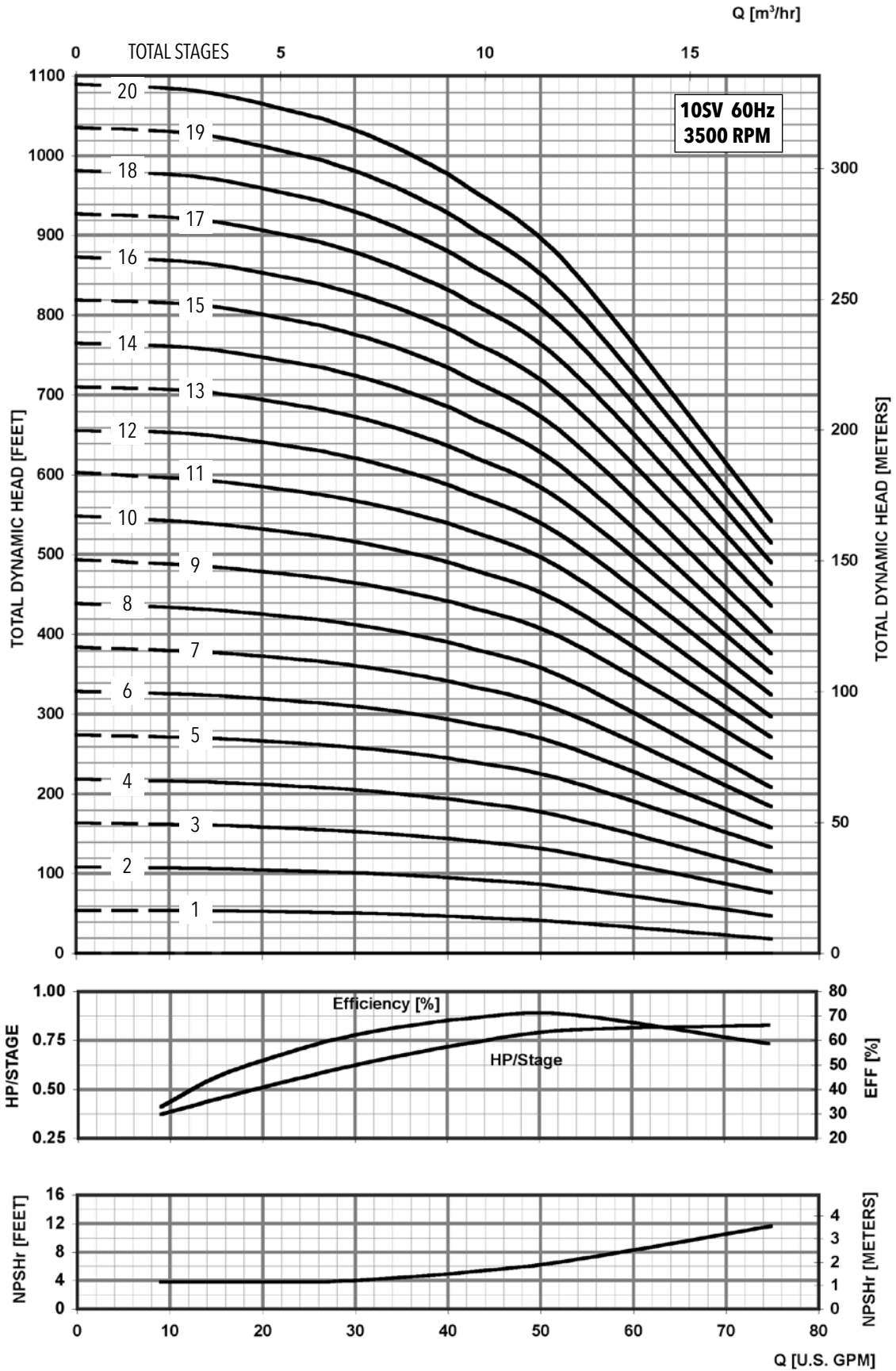


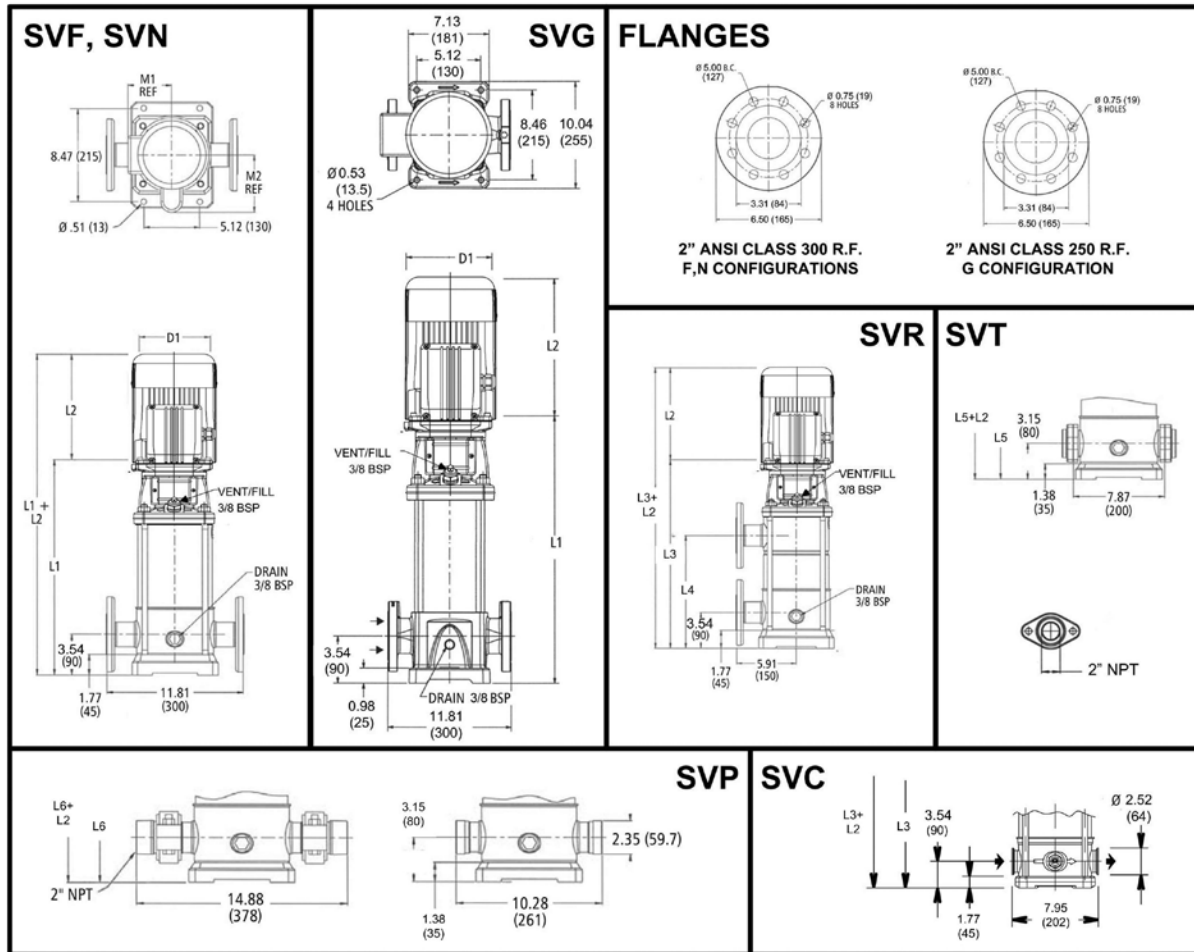
All dimensions are in inches (mm).

### 10SV SERIES – 60Hz, 3500 RPM ODP/TEFC Enclosures

| Pump Type Stages | Motor |            |         |        | Dimensions (in) |         |        |         |        |       |       |       |       |          |           |        | Weight (lbs.) |        |      |           |         |        |         |        |            |        |         |        |
|------------------|-------|------------|---------|--------|-----------------|---------|--------|---------|--------|-------|-------|-------|-------|----------|-----------|--------|---------------|--------|------|-----------|---------|--------|---------|--------|------------|--------|---------|--------|
|                  | HP    | NEMA Frame |         |        | L1              | L2      |        |         |        | L3    | L4    | L5    | L6    | M (Ref.) | D1 (max.) |        |               |        | D2   | Pump Only | Motor   |        |         |        | Pump/Motor |        |         |        |
|                  |       | ODP 1Ø     | TEFC 1Ø | ODP 3Ø |                 | TEFC 3Ø | ODP 1Ø | TEFC 1Ø | ODP 3Ø |       |       |       |       |          | TEFC 3Ø   | ODP 1Ø | TEFC 1Ø       | ODP 3Ø |      |           | TEFC 3Ø | ODP 1Ø | TEFC 1Ø | ODP 3Ø | TEFC 3Ø    | ODP 1Ø | TEFC 1Ø | ODP 3Ø |
| 10SV-01          | 0.75  | 56C        |         |        | 16.56           | 10.79   | 9.91   | 9.16    | 9.29   | -     | -     | 16.17 | 16.17 | 5.19     | 6.19      | 6.19   | 6.19          | 6.19   | 4.13 | 36        | 27      | 29     | 21      | 21     | 63         | 65     | 57      | 57     |
| 10SV-02          | 2     | 56C        |         |        | 16.56           | 11.18   | 12.06  | 11.16   | 10.79  | -     | -     | 16.17 | 16.17 | 5.74     | 7.19      | 7.19   | 6.19          | 6.19   | 4.72 | 38        | 43      | 51     | 32      | 33     | 81         | 89     | 70      | 71     |
| 10SV-03          | 3     | 56C        |         |        | 17.82           | 11.57   | 13.44  | 11.18   | 11.16  | -     | -     | 17.43 | 17.43 | 5.75     | 6.50      | 7.19   | 7.16          | 7.19   | 5.51 | 40        | 49      | 64     | 41      | 44     | 89         | 104    | 81      | 84     |
| 10SV-04          | 5     | 184TC      | 182TC   | 184TC  | 19.58           | 13.93   | 15.43  | 12.55   | 13.93  | -     | -     | 19.19 | 19.19 | 6.87     | 8.88      | 8.86   | 9.02          | 8.86   | 5.51 | 46        | 81      | 92     | 62      | 69     | 127        | 138    | 108     | 115    |
| 10SV-05          | 5     |            |         |        | 20.84           | 13.93   | 15.43  | 12.55   | 13.93  | 20.84 | 10.20 | 20.45 | 6.87  | 8.88     | 8.86      | 9.02   | 8.86          | 5.51   | 48   | 81        | 92      | 62     | 69      | 129    | 140        | 110    | 117     |        |
| 10SV-06          | 5     | 184TC      | 182TC   | 184TC  | 22.10           | 13.93   | 15.43  | 12.55   | 13.93  | 22.10 | 11.46 | 21.71 | 21.71 | 6.87     | 8.88      | 8.86   | 9.02          | 8.86   | 5.51 | 50        | 81      | 92     | 62      | 69     | 131        | 142    | 112     | 119    |
| 10SV-07          | 5     |            |         |        | 23.36           | 13.88   | 15.53  | 13.93   | 15.43  | 23.36 | 12.72 | 22.97 | 8.05  | 8.89     | 10.62     | 8.88   | 8.86          | 5.51   | 52   | 100       | 120     | 75     | 85      | 152    | 172        | 127    | 137     |        |
| 10SV-08          | 7.5   | 213TC      | 184TC   | 184TC  | 24.62           | 13.88   | 15.53  | 13.93   | 15.43  | 24.62 | 13.98 | 24.22 | 24.22 | 8.05     | 8.89      | 10.62  | 8.88          | 8.86   | 5.51 | 54        | 100     | 120    | 75      | 85     | 154        | 174    | 129     | 139    |
| 10SV-09          | 7.5   |            |         |        | 25.88           | 13.88   | 15.53  | 13.93   | 15.43  | 25.88 | 15.24 | 25.48 | 8.05  | 8.89     | 10.62     | 8.88   | 8.86          | 5.51   | 56   | 100       | 120     | 75     | 85      | 156    | 176        | 131    | 141     |        |
| 10SV-10          | 10    | 215TC      | 213TC   | 215TC  | 27.71           | 16.63   | 16.68  | 15.55   | 15.51  | 27.71 | 16.50 | -     | 27.31 | 8.77     | 10.62     | 10.18  | 10.18         | 10.28  | 5.51 | 66        | 132     | 145    | 107     | 122    | 198        | 211    | 173     | 188    |
| 10SV-11          | 10    |            |         |        | 28.97           | 16.63   | 16.68  | 15.55   | 15.51  | 28.97 | 17.76 | -     | 28.57 | 8.77     | 10.62     | 10.18  | 10.18         | 10.28  | 5.51 | 68        | 132     | 145    | 107     | 122    | 200        | 213    | 175     | 190    |
| 10SV-12          | 10    |            |         |        | 29.44           | 16.63   | 16.68  | 15.55   | 15.51  | 29.44 | 19.02 | -     | 29.05 | 8.77     | 10.62     | 10.18  | 10.18         | 10.28  | 5.51 | 70        | 132     | 145    | 107     | 122    | 202        | 215    | 177     | 192    |
| 10SV-13          | 10    |            |         |        | 31.51           | 16.63   | 16.68  | 15.55   | 15.51  | 31.51 | 20.28 | -     | 31.11 | 8.77     | 10.62     | 10.18  | 10.18         | 10.28  | 5.51 | 75        | 132     | 145    | 107     | 122    | 207        | 220    | 182     | 197    |
| 10SV-14          | 15    | 215TC      | 254TC   | 254TC  | 32.85           | 16.63   | 16.68  | 15.55   | 15.51  | 32.85 | 21.54 | -     | 32.45 | 8.77     | 10.62     | 10.18  | 10.28         | 5.51   | 77   | 132       | 145     | 107    | 122     | 209    | 222        | 184    | 199     |        |
| 10SV-15          | 15    |            |         |        | 34.66           | -       | -      | 15.55   | 16.57  | -     | -     | -     | 34.26 | 9.22     | -         | -      | 10.18         | 10.28  | 5.51 | 84        | -       | -      | 125     | 195    | -          | -      | 209     | 279    |
| 10SV-16          | 15    |            |         |        | 35.92           | -       | -      | 15.55   | 16.57  | -     | -     | -     | 35.52 | 9.22     | -         | -      | 10.18         | 10.28  | 5.51 | 86        | -       | -      | 125     | 195    | -          | -      | 211     | 281    |
| 10SV-17          | 15    |            |         |        | 37.18           | -       | -      | 15.55   | 16.57  | -     | -     | -     | 36.78 | 9.22     | -         | -      | 10.18         | 10.28  | 5.51 | 88        | -       | -      | 125     | 195    | -          | -      | 213     | 283    |
| 10SV-18          | 15    |            |         |        | 38.44           | -       | -      | 15.55   | 16.57  | -     | -     | -     | 38.04 | 9.22     | -         | -      | 10.18         | 10.28  | 5.51 | 90        | -       | -      | 125     | 195    | -          | -      | 215     | 285    |
| 10SV-19          | 15    |            |         |        | 39.78           | -       | -      | 15.55   | 16.57  | -     | -     | -     | 39.38 | 9.22     | -         | -      | 10.18         | 10.28  | 5.51 | 92        | -       | -      | 125     | 195    | -          | -      | 217     | 287    |
| 10SV-20          | 20    | 254TC      | 256TC   | 40.96  | -               | -       | 16.66  | 20.08   | -      | -     | -     | -     | 40.56 | 9.5      | -         | -      | 10.18         | 13.13  | 5.51 | 94        | -       | -      | 144     | 285    | -          | -      | 238     | 379    |



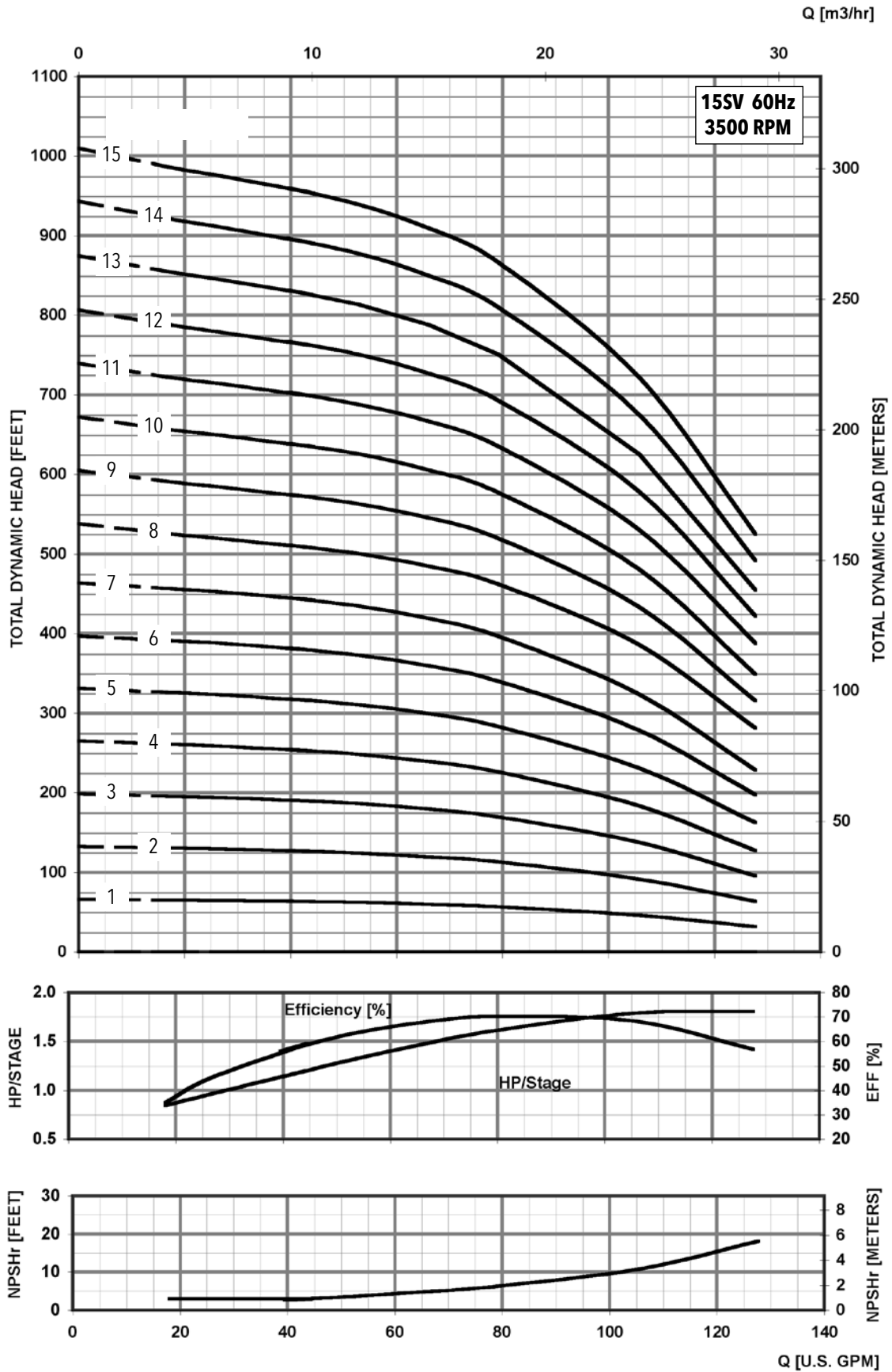


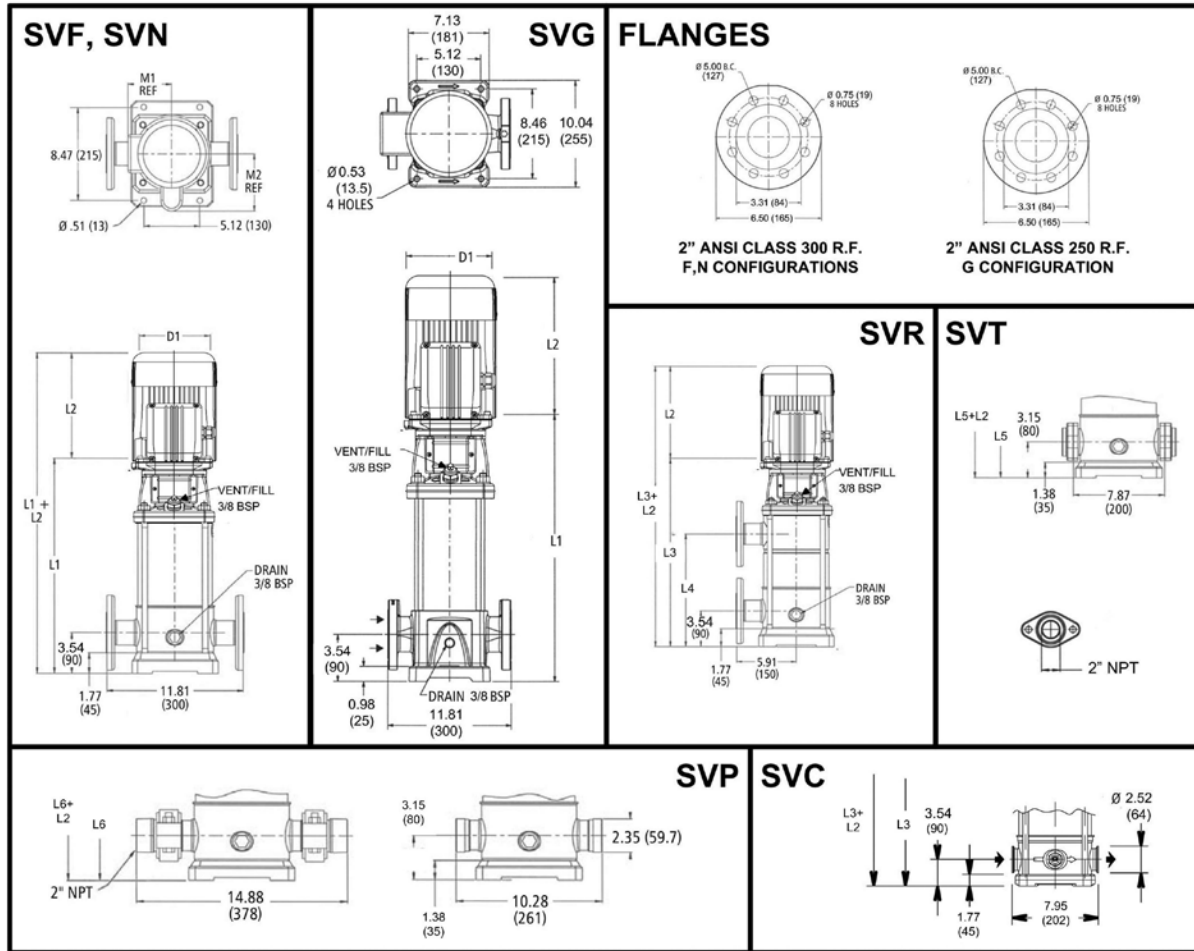


All dimensions are in inches (mm).

### 15SV SERIES – 60Hz, 3500 RPM ODP/TEFC Enclosures

| Pump Type Stages | HP  | Motor      |         |        |         | Dimensions (in) |        |         |        |         |       |       |       |       |          |           | Weight (lbs.) |        |         |      |           |        |         |        |         |            |         |        |         |
|------------------|-----|------------|---------|--------|---------|-----------------|--------|---------|--------|---------|-------|-------|-------|-------|----------|-----------|---------------|--------|---------|------|-----------|--------|---------|--------|---------|------------|---------|--------|---------|
|                  |     | NEMA Frame |         |        |         | L1              | L2     |         |        |         | L3    | L4    | L5    | L6    | M (Ref.) | D1 (max.) |               |        |         | D2   | Pump Only | Motor  |         |        |         | Pump/Motor |         |        |         |
|                  |     | ODP 1Ø     | TEFC 1Ø | ODP 3Ø | TEFC 3Ø |                 | ODP 1Ø | TEFC 1Ø | ODP 3Ø | TEFC 3Ø |       |       |       |       |          | ODP 1Ø    | TEFC 1Ø       | ODP 3Ø | TEFC 3Ø |      |           | ODP 1Ø | TEFC 1Ø | ODP 3Ø | TEFC 3Ø | ODP 1Ø     | TEFC 1Ø | ODP 3Ø | TEFC 3Ø |
| 15SV-01          | 2   | 56C        |         |        |         | 18.61           | 11.18  | 12.06   | 11.16  | 10.79   | -     | -     | 18.21 | 18.21 | 5.74     | 7.19      | 7.19          | 6.19   | 6.19    | 4.72 | 38        | 43     | 51      | 32     | 33      | 81         | 89      | 70     | 71      |
| 15SV-02          | 5   | 184TC      | 182TC   | 184TC  | 18.71   | 13.93           | 15.43  | 12.55   | 13.93  | -       | -     | 18.32 | 18.32 | 6.87  | 8.88     | 8.86      | 9.02          | 8.86   | 5.51    | 44   | 81        | 92     | 62      | 69     | 125     | 136        | 106     | 113    |         |
| 15SV-03          |     |            |         |        | 20.60   | 13.93           | 15.43  | 12.55   | 13.93  | -       | -     | 20.21 | 20.21 | 6.87  | 8.88     | 8.86      | 9.02          | 8.86   | 5.51    | 47   | 81        | 92     | 62      | 69     | 128     | 139        | 109     | 116    |         |
| 15SV-04          | 7.5 | 213TC      | 184TC   |        | 22.49   | 13.88           | 15.53  | 13.93   | 15.43  | 22.49   | 11.85 | 22.10 | 22.10 | 8.05  | 8.89     | 10.62     | 8.88          | 8.86   | 5.51    | 50   | 100       | 120    | 75      | 85     | 150     | 170        | 125     | 135    |         |
| 15SV-05          | 10  | 215TC      | 213TC   | 215TC  | 24.95   | 16.63           | 16.68  | 15.55   | 15.51  | 24.95   | 13.74 | 24.56 | 24.56 | 8.77  | 10.62    | 10.18     | 10.18         | 10.28  | 5.51    | 59   | 132       | 145    | 107     | 122    | 191     | 204        | 166     | 181    |         |
| 15SV-06          |     |            |         |        | 26.86   | 16.63           | 16.68  | 15.55   | 15.51  | 26.86   | 15.63 | 26.47 | 26.47 | 8.77  | 10.62    | 10.18     | 10.18         | 10.28  | 5.51    | 66   | 132       | 145    | 107     | 122    | 198     | 211        | 173     | 188    |         |
| 15SV-07          | 15  | 215TC      | 254TC   | 254TC  | 29.38   | -               | -      | 15.55   | 16.57  | 29.38   | 17.52 | 28.99 | 28.99 | 9.22  | -        | -         | 10.18         | 10.28  | 5.51    | 74   | -         | -      | 125     | 195    | -       | -          | 199     | 269    |         |
| 15SV-08          |     |            |         |        | 31.27   | -               | -      | 15.55   | 16.57  | 31.27   | 19.41 | -     | 30.88 | 9.22  | -        | -         | 10.18         | 10.28  | 5.51    | 76   | -         | -      | 125     | 195    | -       | -          | 201     | 271    |         |
| 15SV-09          |     |            |         |        | 33.16   | -               | -      | 15.55   | 16.57  | 33.16   | 21.30 | -     | 32.77 | 9.22  | -        | -         | 10.18         | 10.28  | 5.51    | 79   | -         | -      | 125     | 195    | -       | -          | 204     | 274    |         |
| 15SV-10          | 20  | -          | 254TC   | 256TC  | 35.05   | -               | -      | 16.66   | 20.08  | 35.05   | 23.19 | -     | 34.66 | 9.5   | -        | -         | 10.18         | 13.13  | 5.51    | 83   | -         | -      | 144     | 285    | -       | -          | 227     | 368    |         |
| 15SV-11          |     |            |         |        | 36.94   | -               | -      | 16.66   | 20.08  | 36.94   | 25.08 | -     | 36.55 | 9.5   | -        | -         | 10.18         | 13.13  | 5.51    | 86   | -         | -      | 144     | 285    | -       | -          | 230     | 371    |         |
| 15SV-12          |     |            |         |        | 38.83   | -               | -      | 16.66   | 20.08  | -       | -     | -     | 38.44 | 9.5   | -        | -         | 10.18         | 13.13  | 5.51    | 89   | -         | -      | 144     | 285    | -       | -          | 233     | 374    |         |
| 15SV-13          |     |            |         |        | 41.35   | -               | -      | 21.44   | 19.54  | -       | -     | -     | 40.96 | 12.94 | -        | -         | 11.63         | 12.94  | 5.51    | 100  | -         | -      | 185     | 283    | -       | -          | 285     | 383    |         |
| 15SV-14          | 25  | -          | 284TC   | 284TC  | 43.24   | -               | -      | 21.44   | 19.54  | -       | -     | -     | 42.85 | 12.94 | -        | -         | 11.63         | 12.94  | 5.51    | 103  | -         | -      | 185     | 283    | -       | -          | 288     | 386    |         |
| 15SV-15          |     |            |         |        | 45.13   | -               | -      | 21.44   | 19.54  | -       | -     | -     | 44.74 | 12.94 | -        | -         | 11.63         | 12.94  | 5.51    | 106  | -         | -      | 185     | 283    | -       | -          | 291     | 389    |         |

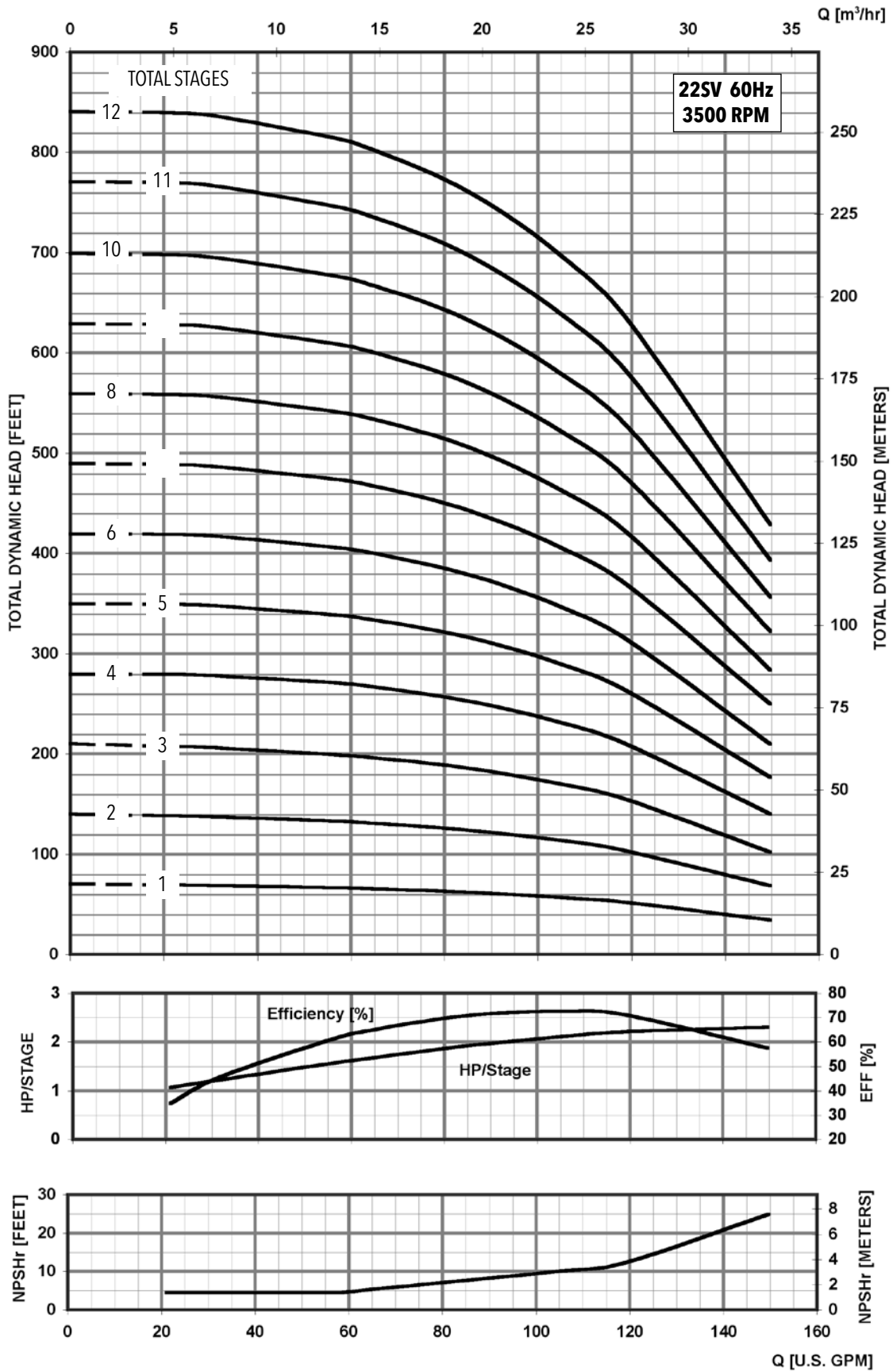




All dimensions are in inches (mm).

### 22SV SERIES – 60Hz, 3500 RPM ODP/TEFC Enclosures

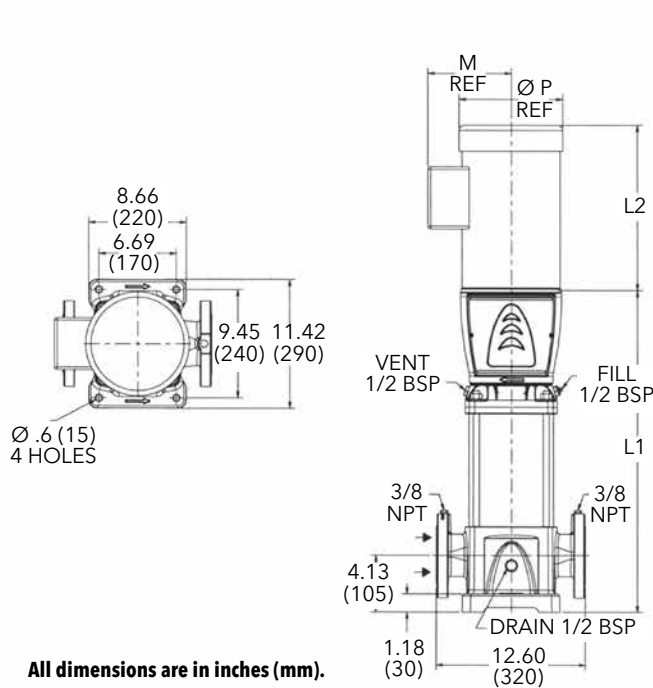
| Pump Type Stages | HP  | Motor      |         |        |         | Dimensions (in) |        |         |        |         |       |       |       |       |          |           | Weight (lbs.) |        |         |      |           |        |         |        |         |            |         |        |         |
|------------------|-----|------------|---------|--------|---------|-----------------|--------|---------|--------|---------|-------|-------|-------|-------|----------|-----------|---------------|--------|---------|------|-----------|--------|---------|--------|---------|------------|---------|--------|---------|
|                  |     | NEMA Frame |         |        |         | L1              | L2     |         |        |         | L3    | L4    | L5    | L6    | M (Ref.) | D1 (max.) |               |        |         | D2   | Pump Only | Motor  |         |        |         | Pump/Motor |         |        |         |
|                  |     | ODP 10     | TEFC 10 | ODP 30 | TEFC 30 |                 | ODP 10 | TEFC 10 | ODP 30 | TEFC 30 |       |       |       |       |          | ODP 10    | TEFC 10       | ODP 30 | TEFC 30 |      |           | ODP 10 | TEFC 10 | ODP 30 | TEFC 30 | ODP 10     | TEFC 10 | ODP 30 | TEFC 30 |
| 22SV-01          | 3   | 56C        |         |        |         | 18.61           | 11.57  | 13.44   | 11.18  | 11.16   | -     | -     | 18.21 | 18.21 | 5.75     | 6.50      | 7.19          | 7.16   | 7.19    | 5.51 | 39        | 49     | 64      | 41     | 44      | 88         | 103     | 80     | 83      |
| 22SV-02          | 5   | 184TC      | 182TC   | 184TC  | 18.71   | 13.93           | 15.43  | 12.55   | 13.93  | -       | -     | 18.32 | 18.32 | 6.87  | 8.88     | 8.86      | 9.02          | 8.86   | 5.51    | 45   | 81        | 92     | 62      | 69     | 126     | 137        | 107     | 114    |         |
| 22SV-03          | 7.5 | 213TC      |         | 184TC  | 20.60   | 13.88           | 15.53  | 13.93   | 15.43  | -       | -     | 20.21 | 20.21 | 8.05  | 8.89     | 10.62     | 8.88          | 8.86   | 5.51    | 48   | 100       | 120    | 75      | 85     | 148     | 168        | 123     | 133    |         |
| 22SV-04          | 10  | 215TC      |         | 213TC  | 23.06   | 16.63           | 16.68  | 15.55   | 15.51  | 23.06   | 11.85 | 22.67 | 22.67 | 8.77  | 10.62    | 10.18     | 10.18         | 10.28  | 5.51    | 58   | 132       | 145    | 107     | 122    | 190     | 203        | 165     | 180    |         |
| 22SV-05          | 15  | 215TC      |         | 254TC  | 25.60   | -               | -      | 15.55   | 16.57  | 25.60   | 13.74 | 25.21 | 25.21 | 9.22  | -        | -         | 10.18         | 10.28  | 5.51    | 66   | -         | -      | 125     | 195    | -       | -          | 191     | 261    |         |
| 22SV-06          | 15  | 215TC      |         | 254TC  | 27.49   | -               | -      | 15.55   | 16.57  | 27.49   | 15.63 | 27.10 | 27.10 | 9.22  | -        | -         | 10.18         | 10.28  | 5.51    | 69   | -         | -      | 125     | 195    | -       | -          | 194     | 264    |         |
| 22SV-07          | 15  | 215TC      |         | 254TC  | 29.38   | -               | -      | 15.55   | 16.57  | 29.38   | 17.52 | 28.99 | 28.99 | 9.22  | -        | -         | 10.18         | 10.28  | 5.51    | 72   | -         | -      | 125     | 195    | -       | -          | 197     | 267    |         |
| 22SV-08          | 20  | 215TC      |         | 256TC  | 31.27   | -               | -      | 16.66   | 20.08  | 31.27   | 19.41 | -     | 30.88 | 9.50  | -        | -         | 10.18         | 13.13  | 5.51    | 75   | -         | -      | 144     | 285    | -       | -          | 219     | 360    |         |
| 22SV-09          | 20  | 215TC      |         | 256TC  | 33.16   | -               | -      | 16.66   | 20.08  | 33.16   | 21.30 | -     | 32.77 | 9.50  | -        | -         | 10.18         | 13.13  | 5.51    | 77   | -         | -      | 144     | 285    | -       | -          | 221     | 362    |         |
| 22SV-10          | 20  | 215TC      |         | 284TC  | 35.68   | -               | -      | 21.44   | 19.54  | 35.68   | 23.19 | -     | 35.29 | 12.94 | -        | -         | 11.63         | 12.94  | 5.51    | 89   | -         | -      | 185     | 283    | -       | -          | 274     | 372    |         |
| 22SV-11          | 25  | 215TC      |         | 284TC  | 37.57   | -               | -      | 21.44   | 19.54  | 37.57   | 25.08 | -     | 37.18 | 12.94 | -        | -         | 11.63         | 12.94  | 5.51    | 92   | -         | -      | 185     | 283    | -       | -          | 277     | 375    |         |
| 22SV-12          | 25  | 215TC      |         | 284TC  | 39.46   | -               | -      | 21.44   | 19.54  | -       | -     | -     | 39.07 | 12.94 | -        | -         | 11.63         | 12.94  | 5.51    | 95   | -         | -      | 185     | 283    | -       | -          | 280     | 378    |         |



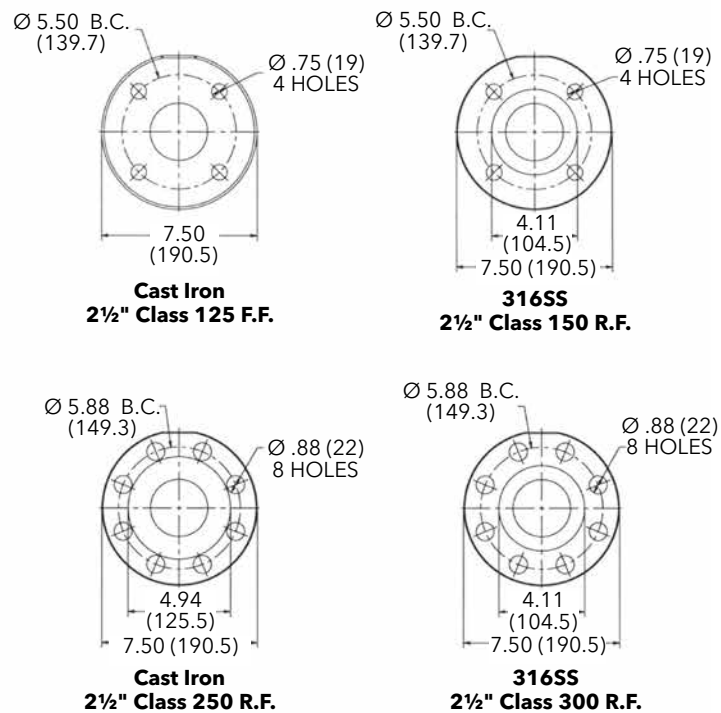
### Dimensions and Weights

### 33SV Series 3500 RPM

60 Hz



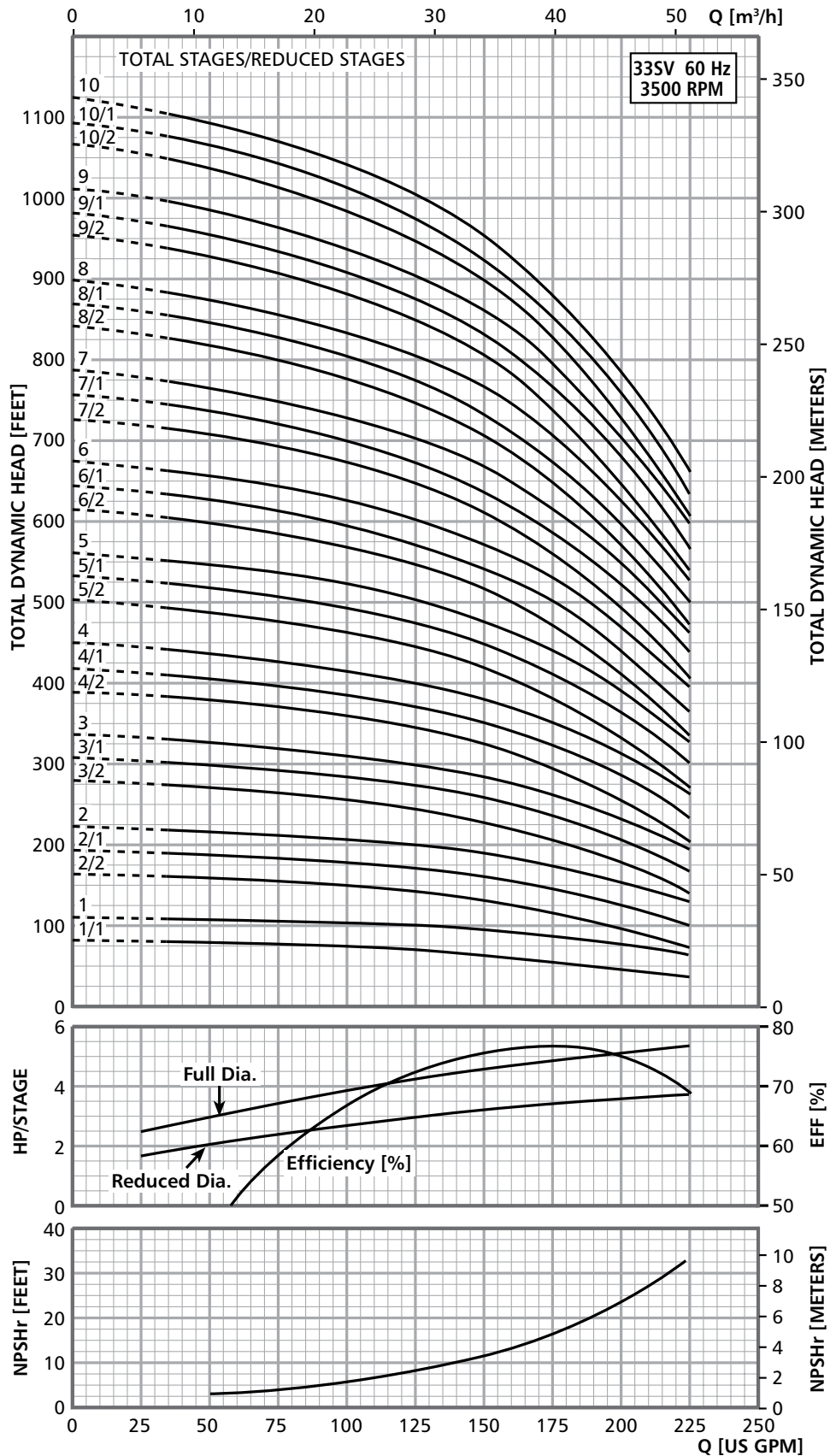
All dimensions are in inches (mm).



### 33SV SERIES – 60Hz, 3500 RPM ODP/TEFC Enclosures

| Pump Type Stages | HP  | Motor      |         |        |         | Dimensions (in) |        |         |        |         |          |           |         |        |         | Weight (lbs.) |           |        |         |        |         |            |         |        |         |     |
|------------------|-----|------------|---------|--------|---------|-----------------|--------|---------|--------|---------|----------|-----------|---------|--------|---------|---------------|-----------|--------|---------|--------|---------|------------|---------|--------|---------|-----|
|                  |     | NEMA Frame |         |        |         | L1              | L2     |         |        |         | M (Ref.) | D1 (max.) |         |        |         | D2            | Pump Only | Motor  |         |        |         | Pump/Motor |         |        |         |     |
|                  |     | ODP 1Ø     | TEFC 1Ø | ODP 3Ø | TEFC 3Ø |                 | ODP 1Ø | TEFC 1Ø | ODP 3Ø | TEFC 3Ø |          | ODP 1Ø    | TEFC 1Ø | ODP 3Ø | TEFC 3Ø |               |           | ODP 1Ø | TEFC 1Ø | ODP 3Ø | TEFC 3Ø | ODP 1Ø     | TEFC 1Ø | ODP 3Ø | TEFC 3Ø |     |
| 33SV-1           | 5   | 184TC      |         | 182TC  | 184TC   | 20.62           | 13.93  | 15.43   | 12.55  | 13.93   | 6.87     | 8.88      | 8.86    | 9.02   | 8.86    | 8.86          | 5.51      | 132    | 81      | 92     | 62      | 69         | 213     | 224    | 194     | 201 |
| 33SV-2/2         | 7.5 | 213TC      |         | 184TC  |         | 23.58           | 13.88  | 15.53   | 13.93  | 15.43   | 8.05     | 8.89      | 10.62   | 8.88   | 8.86    | 5.51          | 143       | 100    | 120     | 75     | 85      | 243        | 263     | 218    | 228     |     |
| 33SV-2/1         | 10  | 215TC      | 213TC   | 215TC  | 23.58   | 16.63           | 16.68  | 15.55   | 15.51  | 8.77    | 10.62    | 10.18     | 10.18   | 10.28  | 4.13    | 143           | 132       | 145    | 107     | 122    | 275     | 288        | 250     | 265    |         |     |
| 33SV-2           |     |            |         |        | 23.58   | 16.63           | 16.68  | 15.55   | 15.51  | 8.77    | 10.62    | 10.18     | 10.18   | 10.28  | 4.13    | 143           | 132       | 145    | 107     | 122    | 275     | 288        | 250     | 265    |         |     |
| 33SV-3/2         | 15  | -          | -       | 215TC  | 254TC   | 26.54           | -      | -       | 15.55  | 16.57   | 9.22     | -         | -       | 10.18  | 10.28   | 4.72          | 152       | -      | -       | 125    | 195     | -          | -       | 277    | 347     |     |
| 33SV-3/1         |     |            |         |        |         | 26.54           | -      | -       | 15.55  | 16.57   | 9.22     | -         | -       | 10.18  | 10.28   | 4.72          | 152       | -      | -       | 125    | 195     | -          | -       | 277    | 347     |     |
| 33SV-3           |     |            |         |        |         | 26.54           | -      | -       | 15.55  | 16.57   | 9.22     | -         | -       | 10.18  | 10.28   | 4.72          | 152       | -      | -       | 125    | 195     | -          | -       | 277    | 347     |     |
| 33SV-4/2         | 20  | -          | -       | 254TC  | 256TC   | 29.50           | -      | -       | 16.66  | 20.08   | 9.50     | -         | -       | 10.18  | 13.13   | 5.51          | 161       | -      | -       | 144    | 285     | -          | -       | 305    | 446     |     |
| 33SV-4/1         |     |            |         |        |         | 29.50           | -      | -       | 16.66  | 20.08   | 9.50     | -         | -       | 10.18  | 13.13   | 5.51          | 161       | -      | -       | 144    | 285     | -          | -       | 305    | 446     |     |
| 33SV-4           |     |            |         |        |         | 29.50           | -      | -       | 16.66  | 20.08   | 9.50     | -         | -       | 10.18  | 13.13   | 5.51          | 161       | -      | -       | 144    | 285     | -          | -       | 305    | 446     |     |
| 33SV-5/2         | 25  | -          | -       | 254TC  | 284TC   | 32.44           | -      | -       | 21.44  | 19.54   | 12.94    | -         | -       | 11.63  | 12.94   | 5.51          | 172       | -      | -       | 185    | 283     | -          | -       | 357    | 455     |     |
| 33SV-5/1         |     |            |         |        |         | 32.44           | -      | -       | 21.44  | 19.54   | 12.94    | -         | -       | 11.63  | 12.94   | 5.51          | 172       | -      | -       | 185    | 283     | -          | -       | 357    | 455     |     |
| 33SV-5           |     |            |         |        |         | 32.44           | -      | -       | 21.44  | 19.54   | 12.94    | -         | -       | 11.63  | 12.94   | 5.51          | 186       | -      | -       | 185    | 283     | -          | -       | 371    | 469     |     |
| 33SV-6/2         | 30  | -          | -       | 284TC  | 286TC   | 35.40           | -      | -       | 21.75  | 19.54   | 12.21    | -         | -       | 13.25  | 12.94   | 5.51          | 194       | -      | -       | 296    | 382     | -          | -       | 490    | 576     |     |
| 33SV-6/1         |     |            |         |        |         | 35.40           | -      | -       | 21.75  | 19.54   | 12.21    | -         | -       | 13.25  | 12.94   | 5.51          | 194       | -      | -       | 296    | 382     | -          | -       | 490    | 576     |     |
| 33SV-6           |     |            |         |        |         | 35.40           | -      | -       | 21.75  | 19.54   | 12.21    | -         | -       | 13.25  | 12.94   | 5.51          | 194       | -      | -       | 296    | 382     | -          | -       | 490    | 576     |     |
| 33SV-7/2         | 40  | -          | -       | 286TC  | 286TC   | 38.55           | -      | -       | 21.75  | 23.18   | 13.11    | -         | -       | 13.25  | 15.56   | 5.51          | 204       | -      | -       | 315    | 446     | -          | -       | 519    | 650     |     |
| 33SV-7/1         |     |            |         |        |         | 38.55           | -      | -       | 21.75  | 23.18   | 13.11    | -         | -       | 13.25  | 15.56   | 5.51          | 204       | -      | -       | 315    | 446     | -          | -       | 519    | 650     |     |
| 33SV-7           |     |            |         |        |         | 38.55           | -      | -       | 21.75  | 23.18   | 13.11    | -         | -       | 13.25  | 15.56   | 5.51          | 204       | -      | -       | 315    | 446     | -          | -       | 519    | 650     |     |
| 33SV-8/2         | 50  | -          | -       | 324TSC | 326TSC  | 41.30           | -      | -       | 21.75  | 23.18   | 13.11    | -         | -       | 13.25  | 15.56   | 5.51          | 221       | -      | -       | 315    | 446     | -          | -       | 536    | 667     |     |
| 33SV-8/1         |     |            |         |        |         | 41.30           | -      | -       | 21.75  | 23.18   | 13.11    | -         | -       | 13.25  | 15.56   | 5.51          | 229       | -      | -       | 315    | 446     | -          | -       | 544    | 675     |     |
| 33SV-8           |     |            |         |        |         | 41.30           | -      | -       | 21.75  | 23.18   | 13.11    | -         | -       | 13.25  | 15.56   | 5.51          | 229       | -      | -       | 315    | 446     | -          | -       | 544    | 675     |     |
| 33SV-9/2         | 50  | -          | -       | 324TSC | 326TSC  | 44.25           | -      | -       | 22.75  | 23.19   | 12.21    | -         | -       | 13.03  | 15.69   | 5.51          | 238       | -      | -       | 320    | 450     | -          | -       | 558    | 688     |     |
| 33SV-9/1         |     |            |         |        |         | 44.25           | -      | -       | 22.75  | 23.19   | 12.21    | -         | -       | 13.03  | 15.69   | 5.51          | 238       | -      | -       | 320    | 450     | -          | -       | 558    | 688     |     |
| 33SV-9           |     |            |         |        |         | 44.25           | -      | -       | 22.75  | 23.19   | 12.21    | -         | -       | 13.03  | 15.69   | 5.51          | 238       | -      | -       | 320    | 450     | -          | -       | 558    | 688     |     |
| 33SV-10/2        | 50  | -          | -       | 324TSC | 326TSC  | 47.20           | -      | -       | 22.75  | 23.19   | 12.21    | -         | -       | 13.03  | 15.69   | 5.51          | 249       | -      | -       | 320    | 450     | -          | -       | 569    | 699     |     |
| 33SV-10/1        |     |            |         |        |         | 47.20           | -      | -       | 22.75  | 23.19   | 12.21    | -         | -       | 13.03  | 15.69   | 5.51          | 249       | -      | -       | 320    | 450     | -          | -       | 569    | 699     |     |
| 33SV-10          |     |            |         |        |         | 47.20           | -      | -       | 22.75  | 23.19   | 12.21    | -         | -       | 13.03  | 15.69   | 5.51          | 249       | -      | -       | 320    | 450     | -          | -       | 569    | 699     |     |



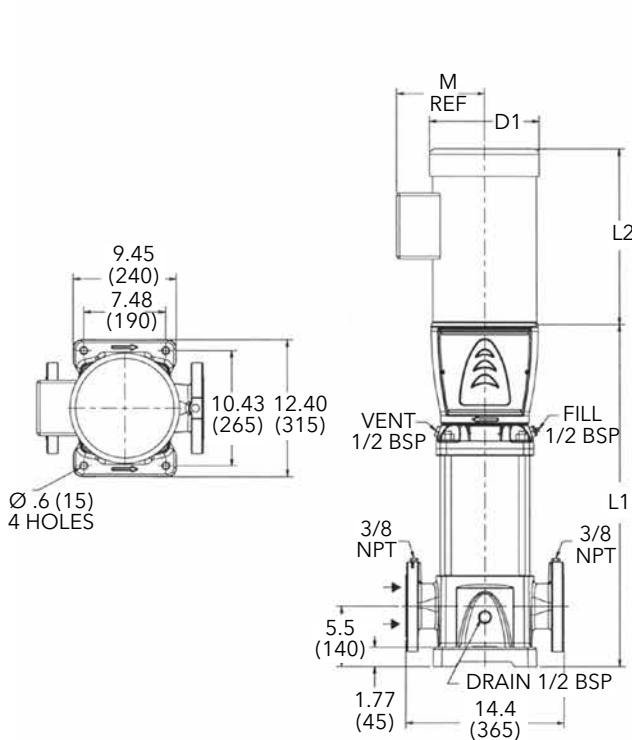




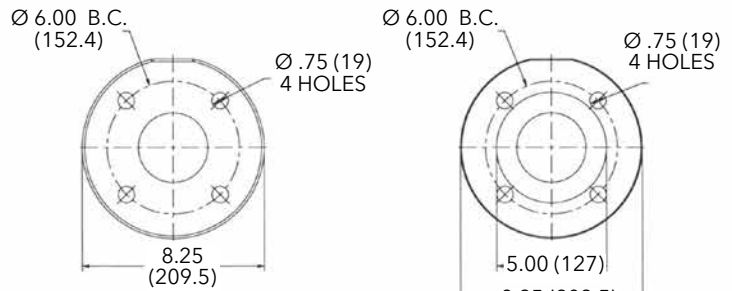
### Dimensions and Weights

### 46SV Series 3500 RPM

60 Hz

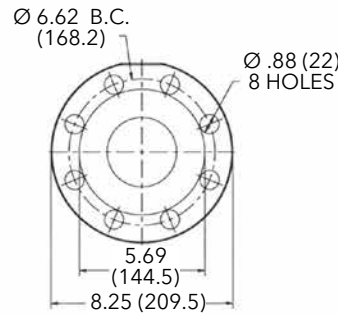


All dimensions are in inches (mm).

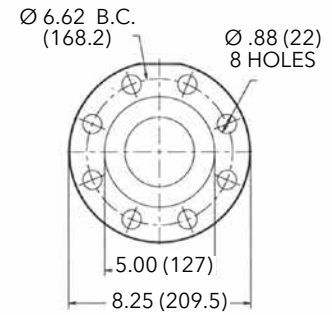


**Cast Iron  
3" Class 125 F.F.**

**316SS  
3" Class 150 R.F.**



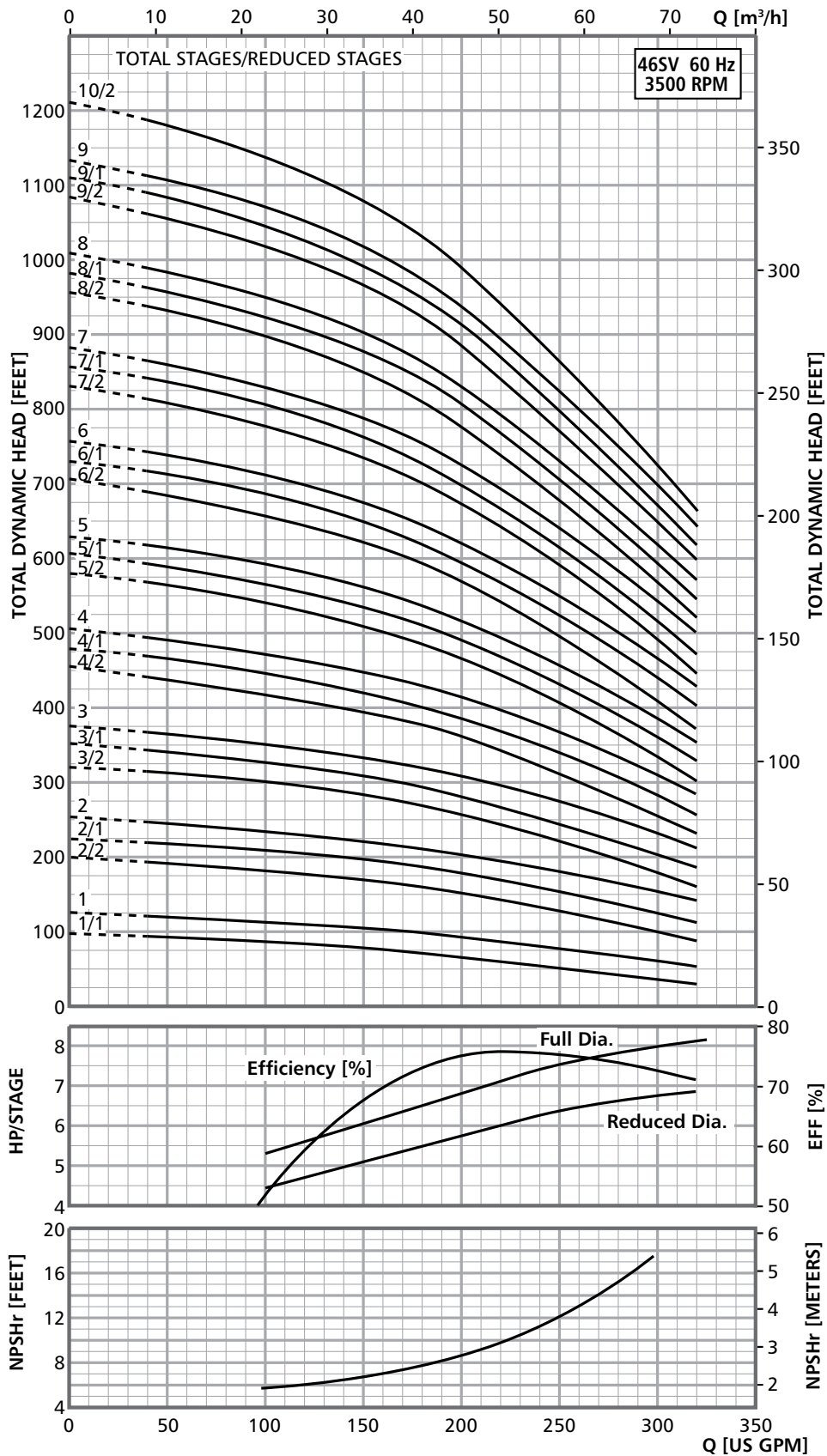
**Cast Iron  
3" Class 250 R.F.**



**316SS  
3" Class 300 R.F.**

### 46SV SERIES – 60Hz, 3500 RPM ODP/TEFC Enclosures

| Pump Type Stages | Motor |            |         |        | Dimensions (in) |         |        |         |        |          |           |        |         |        | Weight (lbs.) |           |         |        |         |        |            |        |         |        |         |
|------------------|-------|------------|---------|--------|-----------------|---------|--------|---------|--------|----------|-----------|--------|---------|--------|---------------|-----------|---------|--------|---------|--------|------------|--------|---------|--------|---------|
|                  | HP    | NEMA Frame |         |        | L1              | L2      |        |         |        | M (Ref.) | D1 (max.) |        |         |        | D2            | Pump Only | Motor   |        |         |        | Pump/Motor |        |         |        |         |
|                  |       | ODP 1Ø     | TEFC 1Ø | ODP 3Ø |                 | TEFC 3Ø | ODP 1Ø | TEFC 1Ø | ODP 3Ø |          | TEFC 3Ø   | ODP 1Ø | TEFC 1Ø | ODP 3Ø |               |           | TEFC 3Ø | ODP 1Ø | TEFC 1Ø | ODP 3Ø | TEFC 3Ø    | ODP 1Ø | TEFC 1Ø | ODP 3Ø | TEFC 3Ø |
| 46SV-1           | 10    | 213TC      |         |        | 215TC           | 22.19   | 16.63  | 16.68   | 15.55  | 15.51    | 8.77      | 10.62  | 10.18   | 10.18  | 10.28         | 4.13      | 174     | 132    | 145     | 107    | 122        | 306    | 319     | 281    | 296     |
| 46SV-2/2         | 15    | -          | -       | 215TC  | 254TC           | 25.19   | -      | -       | 15.55  | 16.57    | 9.22      | -      | -       | 10.18  | 10.28         | 4.72      | 158     | -      | -       | 125    | 195        | -      | -       | 283    | 353     |
| 46SV-2/1         |       | -          | -       |        |                 | 25.19   | -      | -       | 15.55  | 16.57    | 9.22      | -      | -       | 10.18  | 10.28         | 4.72      | 158     | -      | -       | 125    | 195        | -      | -       | 283    | 353     |
| 46SV-2           |       | -          | -       | -      | -               | 25.19   | -      | -       | 15.55  | 16.57    | 9.22      | -      | -       | 10.18  | 10.28         | 4.72      | 158     | -      | -       | 125    | 195        | -      | -       | 283    | 353     |
| 46SV-3/2         | 20    | -          | -       | 254TC  | 256TC           | 28.12   | -      | -       | 16.66  | 20.08    | 9.50      | -      | -       | 10.18  | 13.13         | 5.51      | 169     | -      | -       | 144    | 285        | -      | -       | 313    | 454     |
| 46SV-3/1         |       | -          | -       |        |                 | 28.12   | -      | -       | 16.66  | 20.08    | 9.50      | -      | -       | 10.18  | 13.13         | 5.51      | 169     | -      | -       | 144    | 285        | -      | -       | 313    | 454     |
| 46SV-3           |       | -          | -       | -      | -               | 28.12   | -      | -       | 16.66  | 20.08    | 9.50      | -      | -       | 10.18  | 13.13         | 5.51      | 169     | -      | -       | 144    | 285        | -      | -       | 313    | 454     |
| 46SV-4/2         | 25    | -          | -       | 254TC  | 284TC           | 29.63   | -      | -       | 21.44  | 19.54    | 12.94     | -      | -       | 11.63  | 12.94         | 5.51      | 183     | -      | -       | 185    | 283        | -      | -       | 368    | 466     |
| 46SV-4/1         |       | -          | -       |        |                 | 29.63   | -      | -       | 21.44  | 19.54    | 12.94     | -      | -       | 11.63  | 12.94         | 5.51      | 183     | -      | -       | 185    | 283        | -      | -       | 368    | 466     |
| 46SV-4           |       | -          | -       | -      | -               | 29.63   | -      | -       | 21.44  | 19.54    | 12.94     | -      | -       | 11.63  | 12.94         | 5.51      | 183     | -      | -       | 185    | 283        | -      | -       | 368    | 466     |
| 46SV-5/2         | 30    | -          | -       | 284TC  | 286TC           | 32.63   | -      | -       | 21.75  | 19.54    | 12.21     | -      | -       | 13.25  | 12.94         | 5.51      | 192     | -      | -       | 296    | 382        | -      | -       | 488    | 574     |
| 46SV-4/1         |       | -          | -       |        |                 | 32.63   | -      | -       | 21.75  | 19.54    | 12.21     | -      | -       | 13.25  | 12.94         | 5.51      | 192     | -      | -       | 296    | 382        | -      | -       | 488    | 574     |
| 46SV-4           |       | -          | -       | -      | -               | 32.63   | -      | -       | 21.75  | 19.54    | 12.21     | -      | -       | 13.25  | 12.94         | 5.51      | 192     | -      | -       | 296    | 382        | -      | -       | 488    | 574     |
| 46SV-5/2         | 40    | -          | -       | 286TC  | 286TC           | 35.56   | -      | -       | 21.75  | 23.18    | 13.11     | -      | -       | 13.25  | 15.56         | 5.51      | 199     | -      | -       | 315    | 446        | -      | -       | 514    | 645     |
| 46SV-5/1         |       | -          | -       |        |                 | 35.56   | -      | -       | 21.75  | 23.18    | 13.11     | -      | -       | 13.25  | 15.56         | 5.51      | 199     | -      | -       | 315    | 446        | -      | -       | 514    | 645     |
| 46SV-5           |       | -          | -       | -      | -               | 35.56   | -      | -       | 21.75  | 23.18    | 13.11     | -      | -       | 13.25  | 15.56         | 5.51      | 199     | -      | -       | 315    | 446        | -      | -       | 514    | 645     |
| 46SV-6/2         | 50    | -          | -       | 324TSC | 326TSC          | 38.50   | -      | -       | 21.75  | 23.18    | 13.11     | -      | -       | 13.25  | 15.56         | 5.51      | 208     | -      | -       | 315    | 446        | -      | -       | 523    | 654     |
| 46SV-6/1         |       | -          | -       |        |                 | 38.00   | -      | -       | 22.75  | 23.19    | 12.21     | -      | -       | 13.03  | 15.69         | 5.51      | 216     | -      | -       | 320    | 450        | -      | -       | 536    | 666     |
| 46SV-6           |       | -          | -       | -      | -               | 38.00   | -      | -       | 22.75  | 23.19    | 12.21     | -      | -       | 13.03  | 15.69         | 5.51      | 216     | -      | -       | 320    | 450        | -      | -       | 536    | 666     |
| 46SV-7/2         | 60    | -          | -       | 324TSC | 326TSC          | 40.94   | -      | -       | 22.75  | 23.19    | 12.21     | -      | -       | 13.03  | 15.69         | 5.51      | 233     | -      | -       | 320    | 450        | -      | -       | 553    | 683     |
| 46SV-7/1         |       | -          | -       |        |                 | 40.94   | -      | -       | 22.75  | 23.19    | 12.21     | -      | -       | 13.03  | 15.69         | 5.51      | 233     | -      | -       | 320    | 450        | -      | -       | 553    | 683     |
| 46SV-7           |       | -          | -       | -      | -               | 40.94   | -      | -       | 22.75  | 23.19    | 12.21     | -      | -       | 13.03  | 15.69         | 5.51      | 233     | -      | -       | 320    | 450        | -      | -       | 553    | 683     |
| 46SV-8/2         | 75    | -          | -       | 364TSC | 365TSC          | 43.94   | -      | -       | 22.75  | 30.69    | 14.95     | -      | -       | 13.03  | 19.25         | 5.51      | 242     | -      | -       | 372    | 689        | -      | -       | 614    | 931     |
| 46SV-8/1         |       | -          | -       |        |                 | 43.94   | -      | -       | 22.75  | 30.69    | 14.95     | -      | -       | 13.03  | 19.25         | 5.51      | 242     | -      | -       | 372    | 689        | -      | -       | 614    | 931     |
| 46SV-8           |       | -          | -       | -      | -               | 43.94   | -      | -       | 22.75  | 30.69    | 14.95     | -      | -       | 13.03  | 19.25         | 5.51      | 242     | -      | -       | 372    | 689        | -      | -       | 614    | 931     |
| 46SV-9/2         | 75    | -          | -       | 364TSC | 365TSC          | 46.88   | -      | -       | 24.38  | 30.69    | 14.95     | -      | -       | 15.13  | 19.25         | 5.51      | 253     | -      | -       | 447    | 747        | -      | -       | 700    | 1000    |
| 46SV-9/1         |       | -          | -       |        |                 | 46.88   | -      | -       | 24.38  | 30.69    | 14.95     | -      | -       | 15.13  | 19.25         | 5.51      | 253     | -      | -       | 447    | 747        | -      | -       | 700    | 1000    |
| 46SV-9           |       | -          | -       | -      | -               | 46.88   | -      | -       | 24.38  | 30.69    | 14.95     | -      | -       | 15.13  | 19.25         | 5.51      | 253     | -      | -       | 447    | 747        | -      | -       | 700    | 1000    |
| 46SV-10/2        | 75    | -          | -       | 364TSC | 365TSC          | 49.81   | -      | -       | 24.38  | 30.69    | 14.95     | -      | -       | 15.13  | 19.25         | 5.51      | 264     | -      | -       | 447    | 747        | -      | -       | 711    | 1011    |

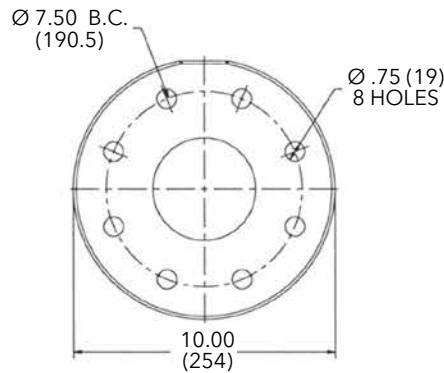
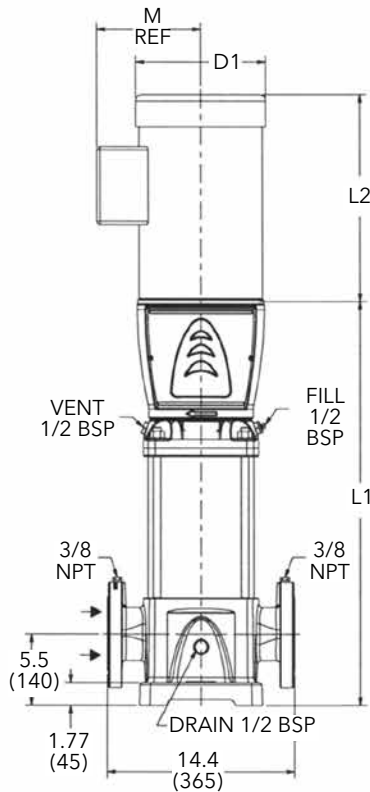
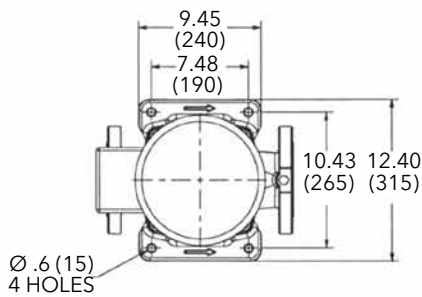


**MINIMUM FLOW RATE: 40 GPM [9 m³/hr]**

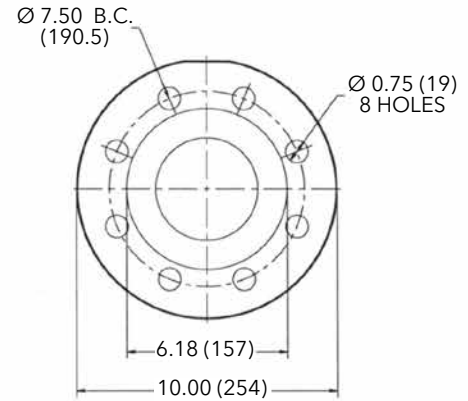
### Dimensions and Weights

### 66SV Series 3500 RPM

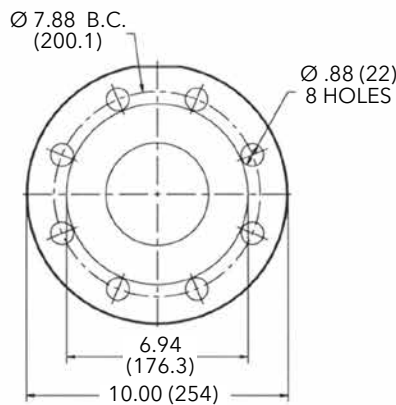
60 Hz



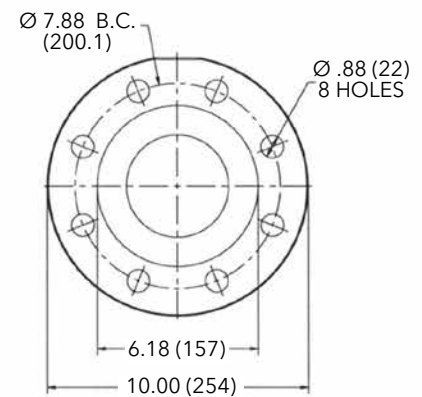
**Cast Iron**  
**4\"/>**



**316SS**  
**4\"/>**



**Cast Iron**  
**4\"/>**

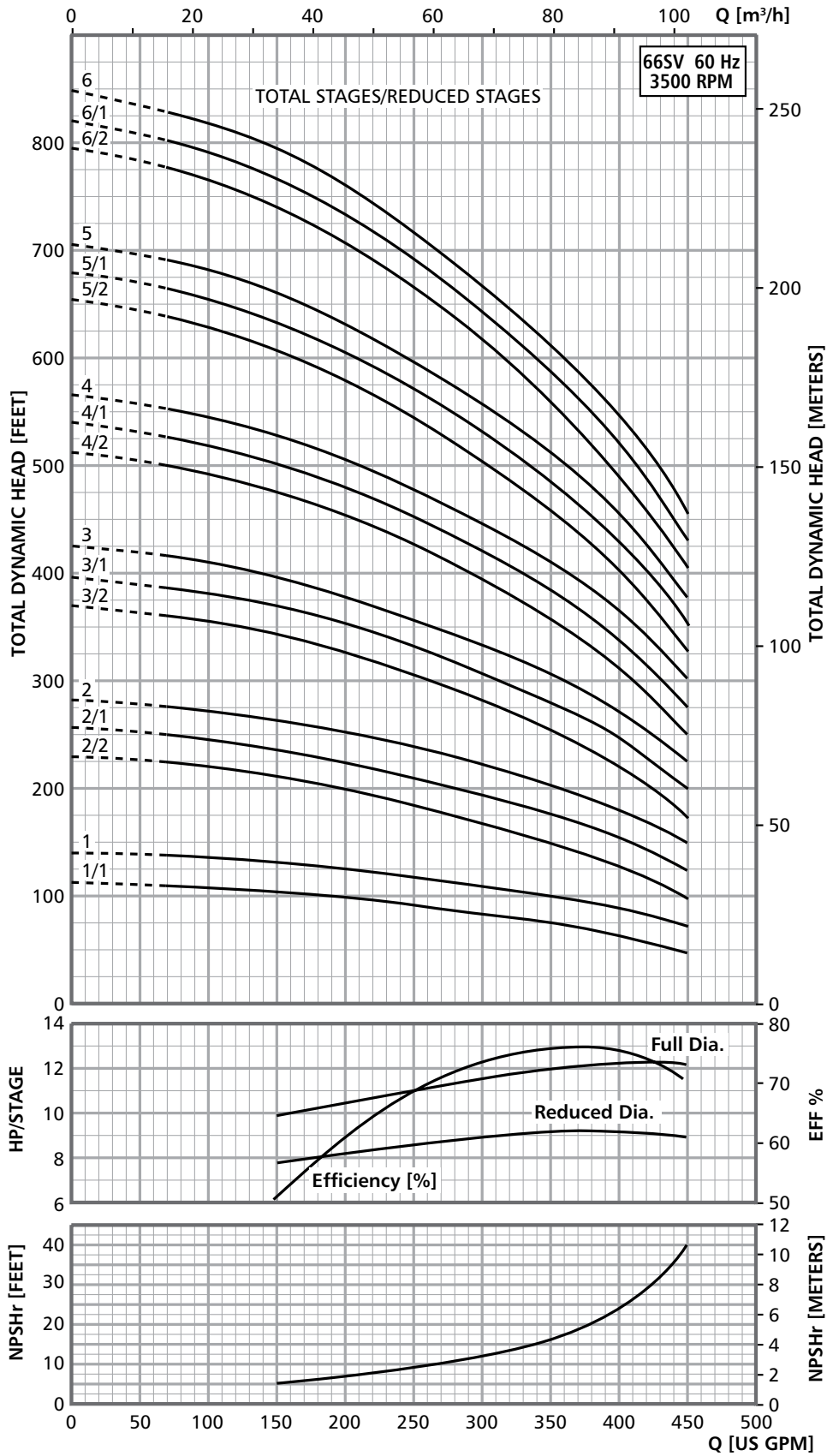


**316SS**  
**4\"/>**

All dimensions are in inches (mm).

### 66SV SERIES – 60Hz, 3500 RPM ODP/TEFC Enclosures

| Pump Type Stages | HP | Motor      |         |        |         | Dimensions (in) |        |         |        |         |          |           |         |        |         | Weight (lbs.) |           |        |         |        |         |            |         |        |         |
|------------------|----|------------|---------|--------|---------|-----------------|--------|---------|--------|---------|----------|-----------|---------|--------|---------|---------------|-----------|--------|---------|--------|---------|------------|---------|--------|---------|
|                  |    | NEMA Frame |         |        |         | L1              | L2     |         |        |         | M (Ref.) | D1 (max.) |         |        |         | D2            | Pump Only | Motor  |         |        |         | Pump/Motor |         |        |         |
|                  |    | ODP 1Ø     | TEFC 1Ø | ODP 3Ø | TEFC 3Ø |                 | ODP 1Ø | TEFC 1Ø | ODP 3Ø | TEFC 3Ø |          | ODP 1Ø    | TEFC 1Ø | ODP 3Ø | TEFC 3Ø |               |           | ODP 1Ø | TEFC 1Ø | ODP 3Ø | TEFC 3Ø | ODP 1Ø     | TEFC 1Ø | ODP 3Ø | TEFC 3Ø |
| 66SV-1           | 15 | -          | -       | 215TC  | 254TC   | 23.19           | -      | -       | 15.56  | 16.56   | 9.25     | -         | -       | 10.19  | 10.31   | 5.51          | 185       | -      | -       | 128    | 250     | -          | -       | 313    | 435     |
| 66SV-2/2         | 20 | -          | -       | 254TC  | 256TC   | 26.75           | -      | -       | 15.56  | 16.56   | 9.25     | -         | -       | 10.19  | 10.31   | 5.51          | 196       | -      | -       | 220    | 280     | -          | -       | 416    | 476     |
| 66SV-2/1         |    | -          | -       |        |         | 26.75           | -      | -       | 15.56  | 16.56   | 9.25     | -         | -       | 10.19  | 10.31   | 5.51          | 196       | -      | -       | 220    | 280     | -          | -       | 416    | 476     |
| 66SV-2           | 25 | -          | -       | 256TC  | 284TC   | 28.31           | -      | -       | 18.00  | 23.38   | 13.12    | -         | -       | 11.63  | 15.31   | 5.51          | 210       | -      | -       | 240    | 420     | -          | -       | 450    | 630     |
| 66SV-3/2         | 30 | -          | -       | 284TC  | 284TC   | 31.81           | -      | -       | 20.12  | 23.38   | 13.12    | -         | -       | 13.25  | 15.31   | 5.51          | 223       | -      | -       | 325    | 445     | -          | -       | 548    | 668     |
| 66SV-3/1         |    | -          | -       |        |         | 31.81           | -      | -       | 20.12  | 23.38   | 13.12    | -         | -       | 13.25  | 15.31   | 5.51          | 223       | -      | -       | 325    | 445     | -          | -       | 548    | 668     |
| 66SV-3           | 40 | -          | -       | 284TC  | 284TC   | 31.81           | -      | -       | 20.12  | 23.38   | 13.12    | -         | -       | 13.25  | 15.31   | 5.51          | 223       | -      | -       | 328    | 448     | -          | -       | 551    | 671     |
| 66SV-4/2         |    | -          | -       |        |         | 35.38           | -      | -       | 20.12  | 23.38   | 13.12    | -         | -       | 13.25  | 15.31   | 5.51          | 234       | -      | -       | 328    | 448     | -          | -       | 562    | 682     |
| 66SV-4/1         | 50 | -          | -       | 326TSC | 326TSC  | 34.88           | -      | -       | 22.50  | 23.38   | 13.12    | -         | -       | 13.25  | 15.31   | 5.51          | 242       | -      | -       | 382    | 592     | -          | -       | 624    | 834     |
| 66SV-4           |    | -          | -       |        |         | 34.88           | -      | -       | 22.50  | 23.38   | 13.12    | -         | -       | 13.25  | 15.31   | 5.51          | 242       | -      | -       | 382    | 592     | -          | -       | 624    | 834     |
| 66SV-5/2         | 60 | -          | -       | 326TSC | 364TSC  | 38.44           | -      | -       | 22.50  | 23.38   | 13.12    | -         | -       | 13.25  | 15.31   | 5.51          | 252       | -      | -       | 382    | 592     | -          | -       | 634    | 844     |
| 66SV-5/1         |    | -          | -       |        |         | 38.44           | -      | -       | 22.50  | 27.22   | 14.96    | -         | -       | 13.25  | 19.00   | 5.51          | 252       | -      | -       | 474    | 736     | -          | -       | 726    | 988     |
| 66SV-5           | 75 | -          | -       | 326TSC | 364TSC  | 38.44           | -      | -       | 22.50  | 27.22   | 14.96    | -         | -       | 13.25  | 19.00   | 5.51          | 252       | -      | -       | 474    | 736     | -          | -       | 726    | 988     |
| 66SV-6/2         |    | -          | -       |        |         | 41.94           | -      | -       | 24.12  | 27.22   | 14.96    | -         | -       | 15.12  | 19.00   | 5.51          | 266       | -      | -       | 500    | 762     | -          | -       | 766    | 1028    |
| 66SV-6/1         | 75 | -          | -       | 365TSC | 365TSC  | 41.94           | -      | -       | 24.12  | 27.22   | 14.96    | -         | -       | 15.12  | 19.00   | 5.51          | 266       | -      | -       | 500    | 762     | -          | -       | 766    | 1028    |
| 66SV-6           |    | -          | -       |        |         | 41.94           | -      | -       | 24.12  | 27.22   | 14.96    | -         | -       | 15.12  | 19.00   | 5.51          | 266       | -      | -       | 500    | 762     | -          | -       | 766    | 1028    |

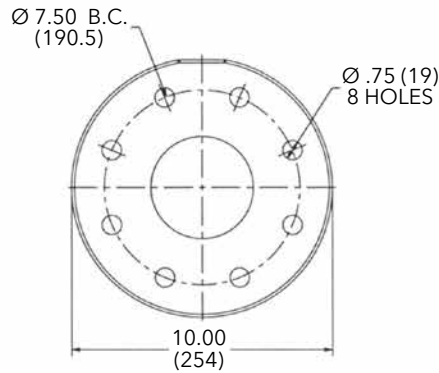
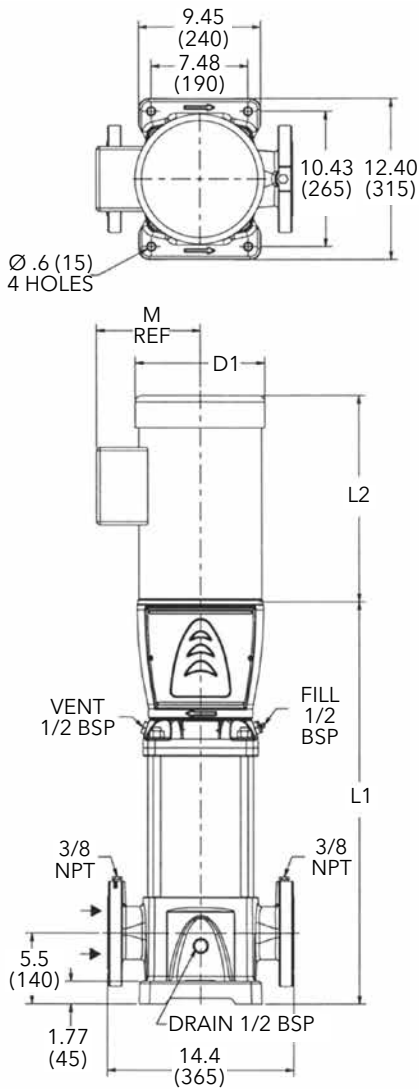


**MINIMUM FLOW RATE: 70 GPM [16 m³/hr]**

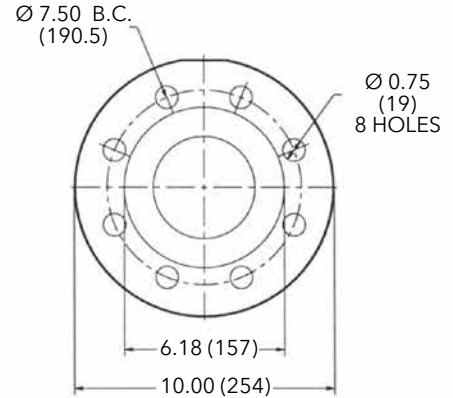
### Dimensions and Weights

### 92SV Series 3500 RPM

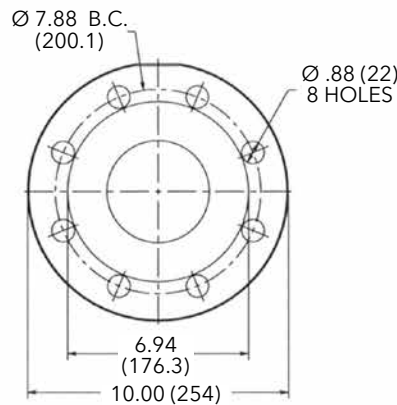
60 Hz



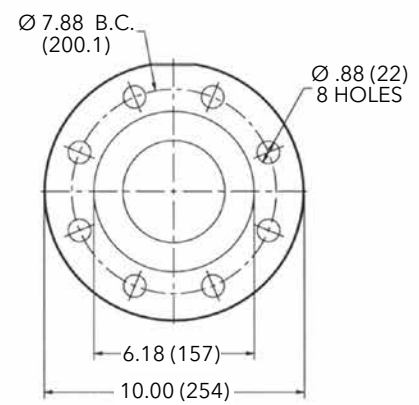
**Cast Iron**  
**4" Class 125 F.F.**



**316SS**  
**4" Class 150 R.F.**



**Cast Iron**  
**4" Class 250 R.F.**

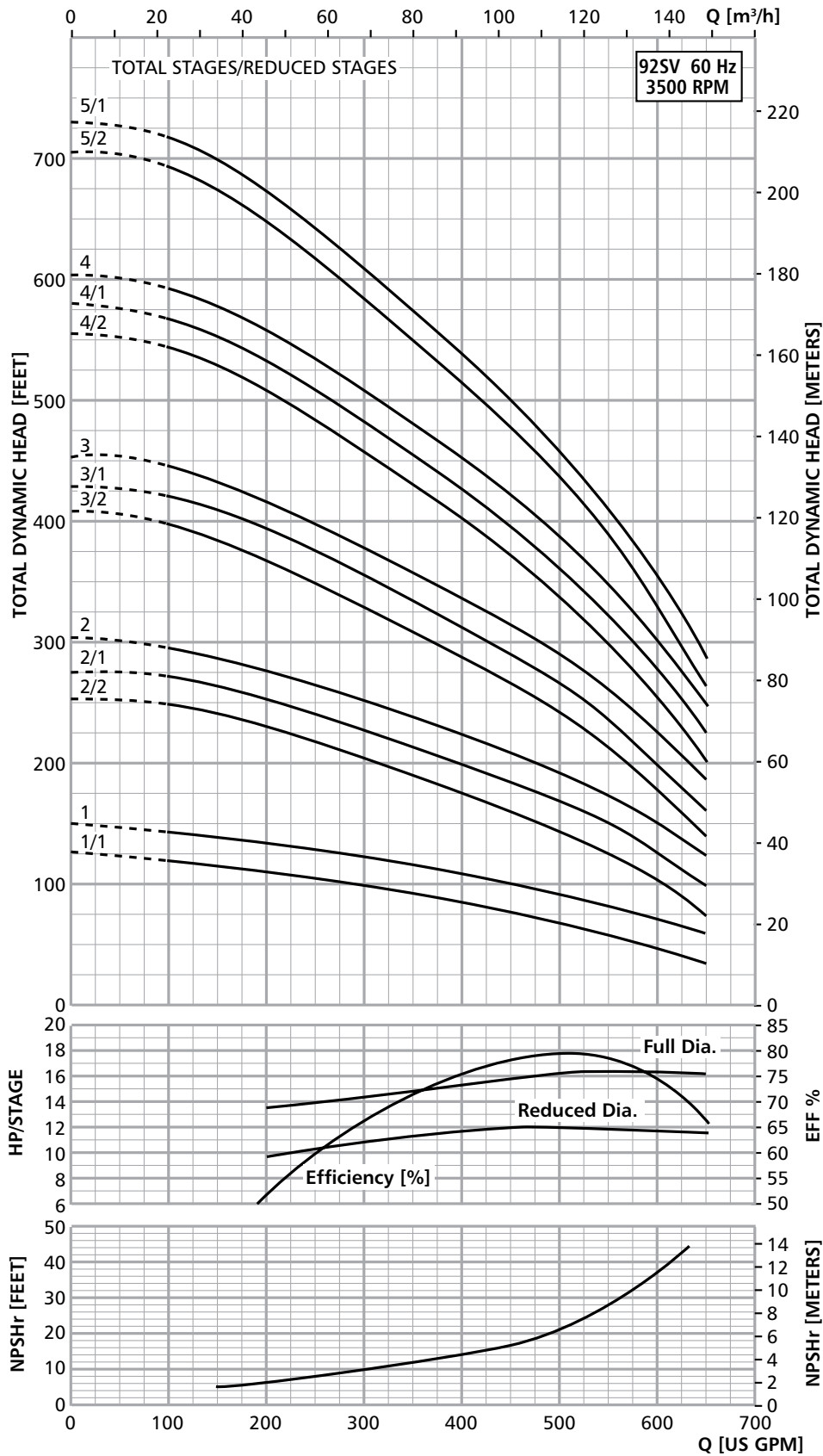


**316SS**  
**4" Class 300 R.F.**

All dimensions are in inches (mm).

### 92SV SERIES – 60Hz, 3500 RPM ODP/TEFC Enclosures

| Pump Type Stages | Motor |            |         |        | Dimensions (in) |         |        |         |        |          |           |        |         |        | Weight (lbs.) |           |         |        |         |        |            |        |         |        |         |
|------------------|-------|------------|---------|--------|-----------------|---------|--------|---------|--------|----------|-----------|--------|---------|--------|---------------|-----------|---------|--------|---------|--------|------------|--------|---------|--------|---------|
|                  | HP    | NEMA Frame |         |        | L1              | L2      |        |         |        | M (Ref.) | D1 (max.) |        |         |        | D2            | Pump Only | Motor   |        |         |        | Pump/Motor |        |         |        |         |
|                  |       | ODP 1Ø     | TEFC 1Ø | ODP 3Ø |                 | TEFC 3Ø | ODP 1Ø | TEFC 1Ø | ODP 3Ø |          | TEFC 3Ø   | ODP 1Ø | TEFC 1Ø | ODP 3Ø |               |           | TEFC 3Ø | ODP 1Ø | TEFC 1Ø | ODP 3Ø | TEFC 3Ø    | ODP 1Ø | TEFC 1Ø | ODP 3Ø | TEFC 3Ø |
| 92SV-1           | 15    | -          | -       | 215TC  | 254TC           | 23.19   | -      | -       | 15.56  | 16.56    | 9.25      | -      | -       | 10.19  | 10.31         | 5.51      | 185     | -      | -       | 128    | 250        | -      | -       | 313    | 435     |
| 92SV-2/2         | 25    | -          | -       | 256TC  | 284TC           | 28.31   | -      | -       | 18.00  | 23.38    | 13.12     | -      | -       | 11.63  | 15.31         | 5.51      | 210     | -      | -       | 240    | 420        | -      | -       | 450    | 630     |
| 92SV-2/1         | 30    | -          | -       | 284TC  | 284TC           | 28.31   | -      | -       | 20.12  | 23.38    | 13.12     | -      | -       | 13.25  | 15.31         | 5.51      | 210     | -      | -       | 325    | 445        | -      | -       | 535    | 655     |
| 92SV-2           |       | -          | -       | 284TC  | 284TC           | 28.31   | -      | -       | 20.12  | 23.38    | 13.12     | -      | -       | 13.25  | 15.31         | 5.51      | 210     | -      | -       | 325    | 445        | -      | -       | 535    | 655     |
| 92SV-3/2         | 40    | -          | -       | 284TC  | 284TC           | 31.18   | -      | -       | 20.12  | 23.38    | 13.12     | -      | -       | 13.25  | 15.31         | 5.51      | 223     | -      | -       | 328    | 448        | -      | -       | 551    | 671     |
| 92SV-3/1         |       | -          | -       | 284TC  | 284TC           | 31.18   | -      | -       | 20.12  | 23.38    | 13.12     | -      | -       | 13.25  | 15.31         | 5.51      | 223     | -      | -       | 328    | 448        | -      | -       | 551    | 671     |
| 92SV-3           | 50    | -          | -       | 326TSC | 326TSC          | 31.28   | -      | -       | 22.50  | 23.38    | 13.12     | -      | -       | 13.25  | 15.31         | 5.51      | 231     | -      | -       | 382    | 592        | -      | -       | 613    | 823     |
| 92SV-4/2         | 60    | -          | -       | 326TSC | 364TSC          | 34.88   | -      | -       | 22.50  | 27.22    | 13.12     | -      | -       | 13.25  | 19.00         | 5.51      | 242     | -      | -       | 474    | 736        | -      | -       | 716    | 978     |
| 92SV-4/1         |       | -          | -       | 326TSC | 364TSC          | 34.88   | -      | -       | 22.50  | 27.22    | 13.12     | -      | -       | 13.25  | 19.00         | 5.51      | 242     | -      | -       | 474    | 736        | -      | -       | 716    | 978     |
| 92SV-4           |       | -          | -       | 326TSC | 364TSC          | 34.88   | -      | -       | 22.50  | 27.22    | 13.12     | -      | -       | 13.25  | 19.00         | 5.51      | 242     | -      | -       | 474    | 736        | -      | -       | 716    | 978     |
| 92SV-5/2         | 75    | -          | -       | 365TSC | 365TSC          | 38.44   | -      | -       | 24.12  | 27.22    | 14.96     | -      | -       | 15.12  | 19.00         | 5.51      | 252     | -      | -       | 500    | 762        | -      | -       | 752    | 1014    |
| 92SV-5/1         |       | -          | -       | 365TSC | 365TSC          | 38.44   | -      | -       | 24.12  | 27.22    | 14.96     | -      | -       | 15.12  | 19.00         | 5.51      | 252     | -      | -       | 500    | 762        | -      | -       | 752    | 1014    |



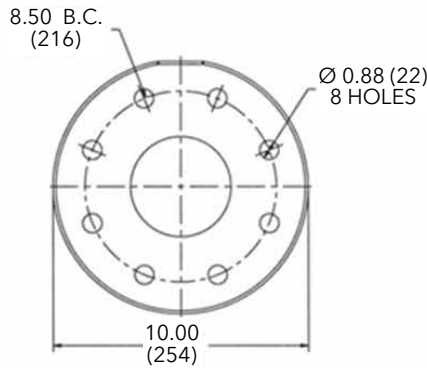
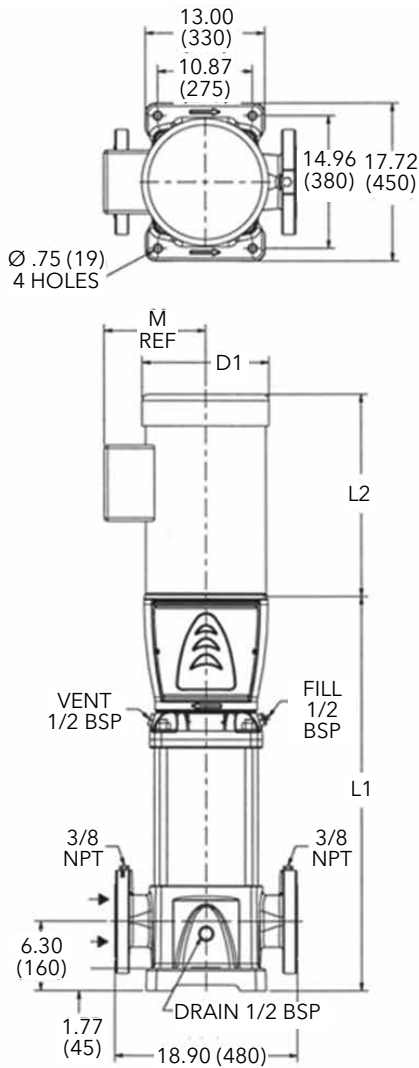
**MINIMUM FLOW RATE: 100 GPM [23 m³/hr]**



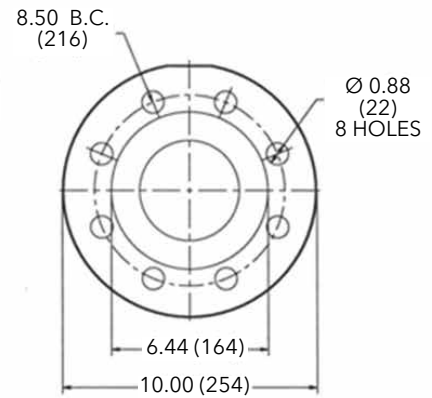
### Dimensions and Weights

### 125SV Series 3500 RPM

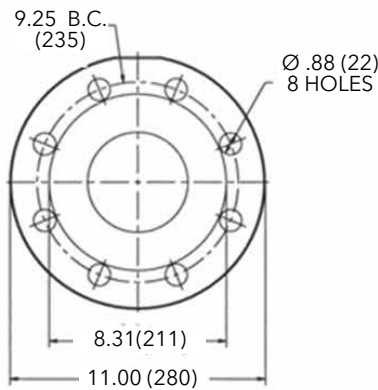
60 Hz



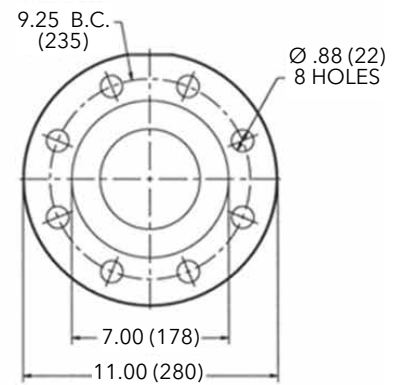
**Cast Iron**  
**5\"/>**



**316SS**  
**5\"/>**



**Cast Iron**  
**5\"/>**



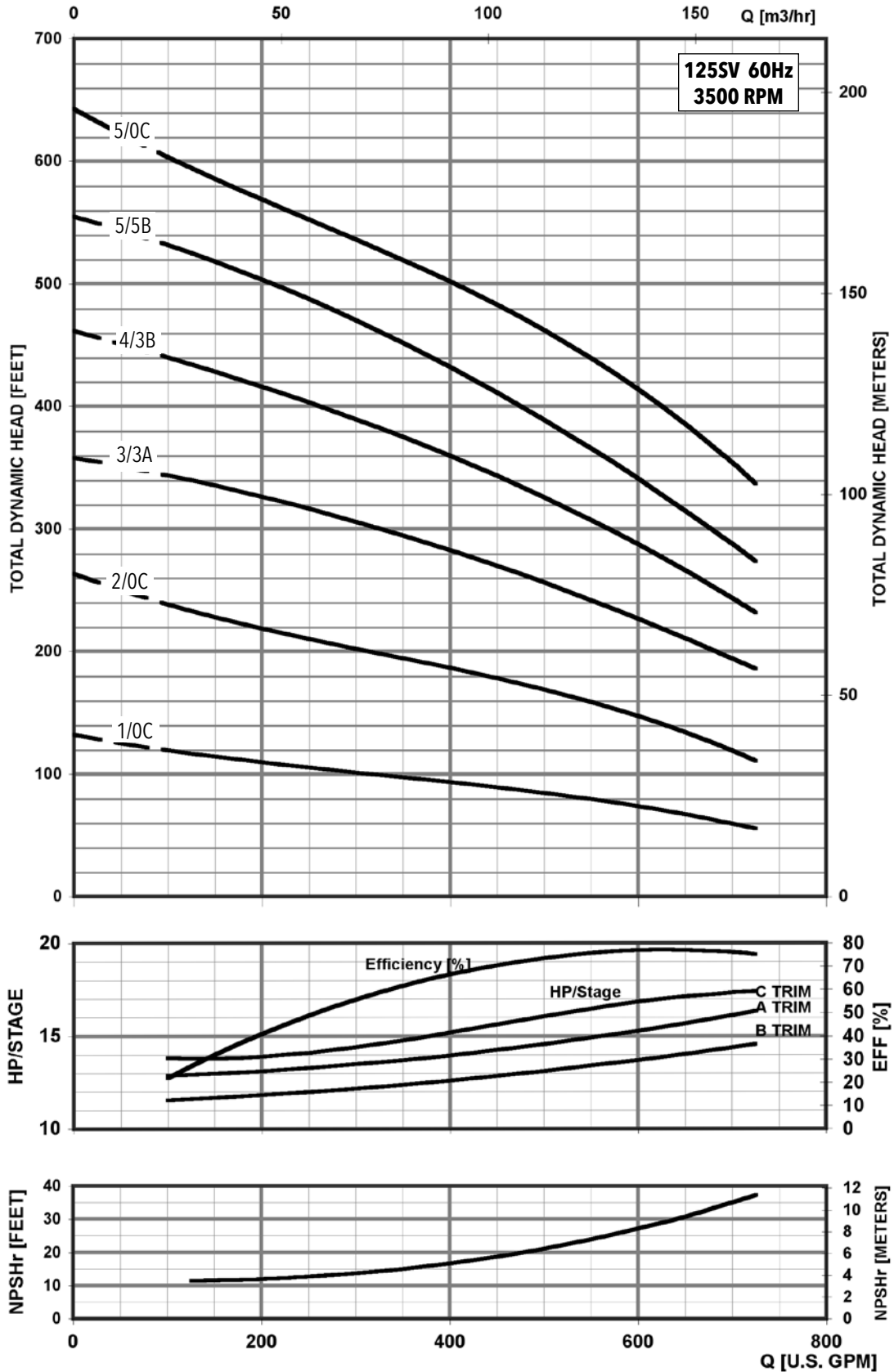
**316SS**  
**5\"/>**

All dimensions are in inches (mm).

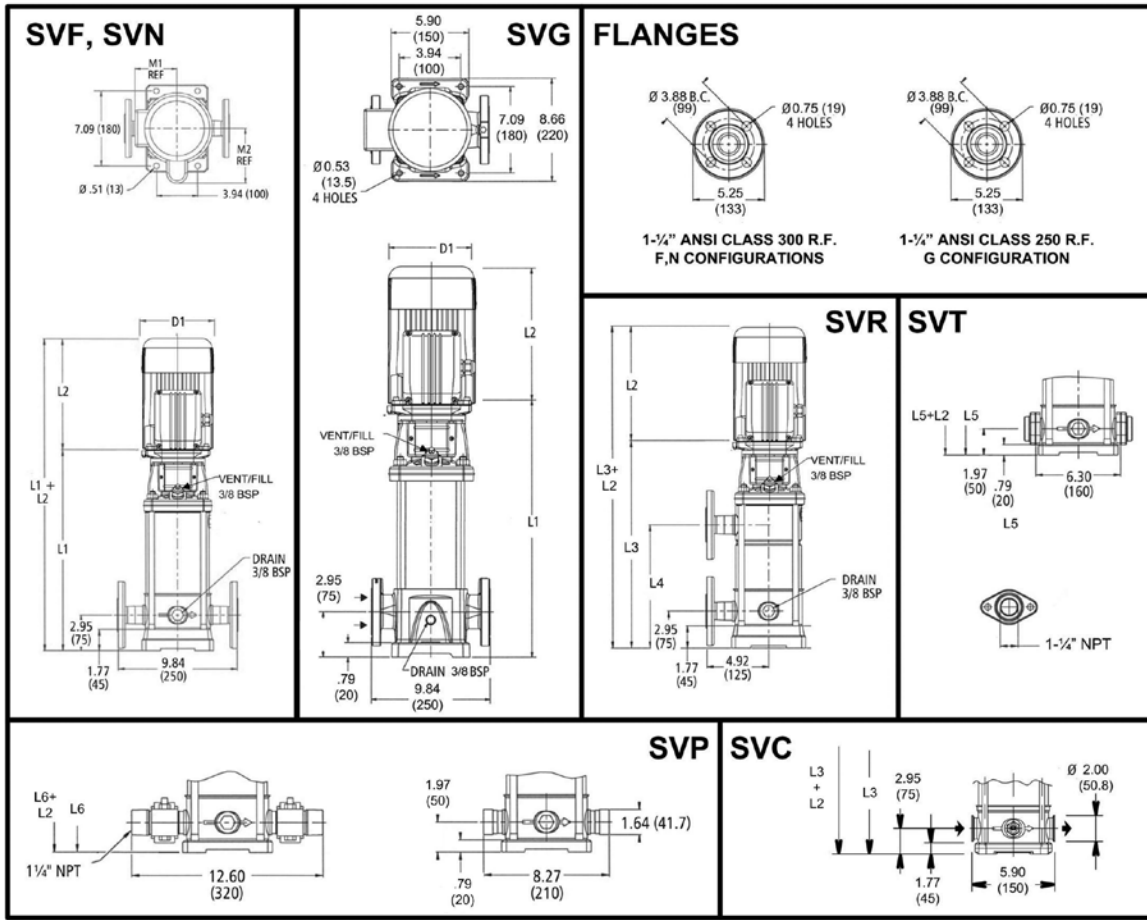
### 125SV SERIES – 60Hz, 3500 RPM ODP/TEFC Enclosures

| Pump Type | HP | Motor      |         |        |        | Dimensions (in) |        |         |       |       |    |    |          |           |         |        | Weight (lbs.) |       |       |        |         |        |         |            |         |        |         |        |         |
|-----------|----|------------|---------|--------|--------|-----------------|--------|---------|-------|-------|----|----|----------|-----------|---------|--------|---------------|-------|-------|--------|---------|--------|---------|------------|---------|--------|---------|--------|---------|
|           |    | NEMA Frame |         | L1     | L2     |                 |        |         | L3    | L4    | L5 | L6 | M (Ref.) | D1 (max.) |         |        |               | D2    | Pump  | Motor  |         |        |         | Pump/Motor |         |        |         |        |         |
|           |    | ODP 10     | TEFC 10 |        | ODP 30 | TEFC 30         | ODP 10 | TEFC 10 |       |       |    |    |          | ODP 30    | TEFC 30 | ODP 10 | TEFC 10       |       |       | ODP 30 | TEFC 30 | ODP 10 | TEFC 10 | ODP 30     | TEFC 30 | ODP 10 | TEFC 10 | ODP 30 | TEFC 30 |
| 125SV10C  | 15 | -          | -       | 215TC  | 254TC  | 27.30           | -      | -       | 15.55 | 16.57 | -  | -  | -        | -         | 9.22    | -      | -             | 10.18 | 10.28 | 4.72   | 256     | -      | -       | 125        | 195     | -      | -       | 381    | 451     |
| 125SV20C  | 30 | -          | -       | 284TC  | 286TC  | 34.57           | -      | -       | 21.75 | 19.54 | -  | -  | -        | 12.21     | -       | -      | 13.25         | 12.94 | 5.51  | 289    | -       | -      | 296     | 382        | -       | -      | 585     | 671    |         |
| 125SV33A  | 40 | -          | -       | 286TC  | 286TC  | 40.47           | -      | -       | 21.75 | 23.18 | -  | -  | -        | 13.11     | -       | -      | 13.25         | 15.56 | 5.51  | 315    | -       | -      | 315     | 446        | -       | -      | 630     | 761    |         |
| 125SV43B  | 50 | -          | -       | 324TSC | 326TSC | 46.40           | -      | -       | 22.75 | 23.19 | -  | -  | -        | 12.21     | -       | -      | 13.03         | 15.69 | 5.51  | 355    | -       | -      | 320     | 450        | -       | -      | 675     | 805    |         |
| 125SV55B  | 60 | -          | -       | 324TSC | 326TSC | 52.30           | -      | -       | 22.75 | 30.69 | -  | -  | -        | 14.95     | -       | -      | 13.03         | 19.25 | 5.51  | 379    | -       | -      | 372     | 689        | -       | -      | 751     | 1068   |         |
| 125SV50C  | 75 | -          | -       | 364TSC | 365TSC | 52.28           | -      | -       | 24.38 | 30.69 | -  | -  | -        | 14.95     | -       | -      | 15.13         | 19.25 | 5.51  | 379    | -       | -      | 447     | 747        | -       | -      | 826     | 1126   |         |





**MINIMUM FLOW RATE: 100 GPM [20 m<sup>3</sup>/hr]**



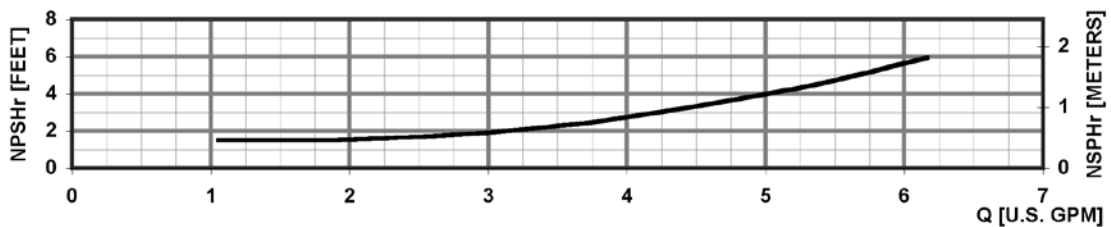
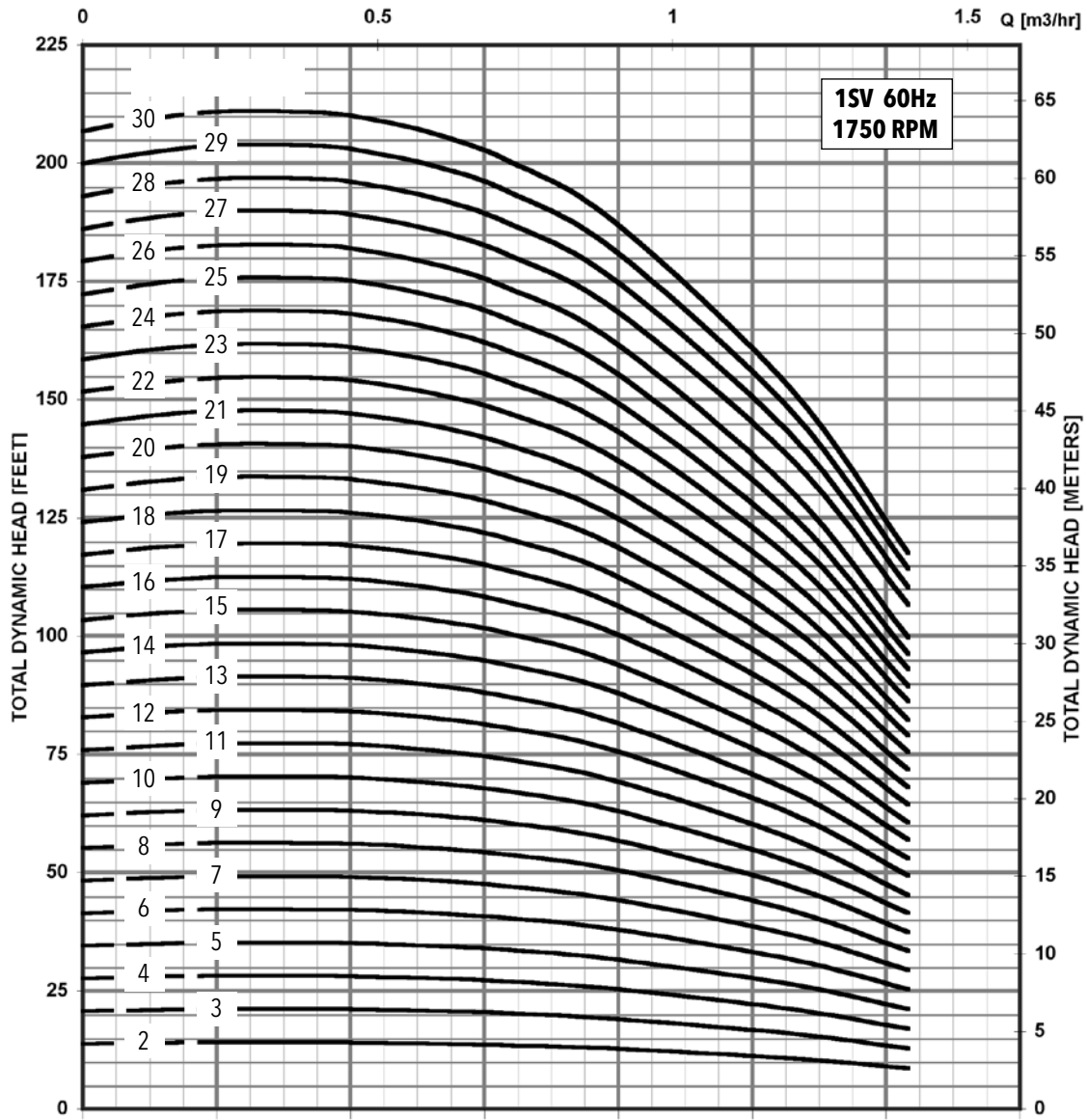
### 1SV SERIES – 60Hz, 1750 RPM ODP/TEFC Enclosures

| Pump Type Stages | Motor |            |         |        | Dimensions (in) |         |        |         |        |       |       |      |      |          |           |        |         | Weight (lbs.) |    |           |         |        |         |        |            |        |         |        |
|------------------|-------|------------|---------|--------|-----------------|---------|--------|---------|--------|-------|-------|------|------|----------|-----------|--------|---------|---------------|----|-----------|---------|--------|---------|--------|------------|--------|---------|--------|
|                  | HP    | NEMA Frame |         |        | L1              | L2      |        |         |        | L3    | L4    | L5   | L6   | M (Ref.) | D1 (max.) |        |         |               | D2 | Pump Only | Motor   |        |         |        | Pump/Motor |        |         |        |
|                  |       | ODP 1Ø     | TEFC 1Ø | ODP 3Ø |                 | TEFC 3Ø | ODP 1Ø | TEFC 1Ø | ODP 3Ø |       |       |      |      |          | TEFC 3Ø   | ODP 1Ø | TEFC 1Ø | ODP 3Ø        |    |           | TEFC 3Ø | ODP 1Ø | TEFC 1Ø | ODP 3Ø | TEFC 3Ø    | ODP 1Ø | TEFC 1Ø | ODP 3Ø |
| 1SV-02           | 0.5   | 56C        | 13.27   | 9.16   | 9.29            | 9.16    | 9.29   | -       | -      | 12.29 | 12.29 | 5.19 | 6.19 | 6.19     | 6.19      | 6.19   | 4.13    | 25            | 21 | 21        | 19      | 19     | 46      | 46     | 44         | 44     |         |        |
| 1SV-03           |       |            | 13.27   | 9.16   | 9.29            | 9.16    | 9.29   | -       | -      | 12.29 | 12.29 | 5.19 | 6.19 | 6.19     | 6.19      | 6.19   | 4.13    | 26            | 21 | 21        | 19      | 19     | 47      | 47     | 45         | 45     |         |        |
| 1SV-04           |       |            | 14.06   | 9.16   | 9.29            | 9.16    | 9.29   | -       | -      | 13.07 | 13.07 | 5.19 | 6.19 | 6.19     | 6.19      | 6.19   | 4.13    | 27            | 21 | 21        | 19      | 19     | 48      | 48     | 46         | 46     |         |        |
| 1SV-05           |       |            | 14.85   | 9.16   | 9.29            | 9.16    | 9.29   | -       | -      | 13.86 | 13.86 | 5.19 | 6.19 | 6.19     | 6.19      | 6.19   | 4.13    | 28            | 21 | 21        | 19      | 19     | 49      | 49     | 47         | 47     |         |        |
| 1SV-06           |       |            | 15.63   | 9.16   | 9.29            | 9.16    | 9.29   | -       | -      | 14.65 | 14.65 | 5.19 | 6.19 | 6.19     | 6.19      | 6.19   | 4.13    | 28            | 21 | 21        | 19      | 19     | 49      | 49     | 47         | 47     |         |        |
| 1SV-07           |       |            | 16.42   | 9.16   | 9.29            | 9.16    | 9.29   | -       | -      | 15.44 | 15.44 | 5.19 | 6.19 | 6.19     | 6.19      | 6.19   | 4.13    | 29            | 21 | 21        | 19      | 19     | 50      | 50     | 48         | 48     |         |        |
| 1SV-08           |       |            | 17.21   | 9.16   | 9.29            | 9.16    | 9.29   | 17.21   | 8.94   | 16.22 | 16.22 | 5.19 | 6.19 | 6.19     | 6.19      | 6.19   | 4.13    | 30            | 21 | 21        | 19      | 19     | 51      | 51     | 49         | 49     |         |        |
| 1SV-09           |       |            | 18.00   | 9.16   | 9.29            | 9.16    | 9.29   | 18.00   | 9.72   | 17.01 | 17.01 | 5.19 | 6.19 | 6.19     | 6.19      | 6.19   | 4.13    | 31            | 21 | 21        | 19      | 19     | 52      | 52     | 50         | 50     |         |        |
| 1SV-10           |       |            | 18.78   | 9.16   | 9.29            | 9.16    | 9.29   | 18.78   | 10.51  | 17.80 | 17.80 | 5.19 | 6.19 | 6.19     | 6.19      | 6.19   | 4.13    | 32            | 21 | 21        | 19      | 19     | 53      | 53     | 51         | 51     |         |        |
| 1SV-11           |       |            | 19.57   | 9.16   | 9.29            | 9.16    | 9.29   | 19.57   | 11.30  | 18.59 | 18.59 | 5.19 | 6.19 | 6.19     | 6.19      | 6.19   | 4.13    | 33            | 21 | 21        | 19      | 19     | 54      | 54     | 52         | 52     |         |        |
| 1SV-12           |       |            | 20.36   | 9.16   | 9.29            | 9.16    | 9.29   | 20.36   | 12.09  | 19.37 | 19.37 | 5.19 | 6.19 | 6.19     | 6.19      | 6.19   | 4.13    | 34            | 21 | 21        | 19      | 19     | 55      | 55     | 53         | 53     |         |        |
| 1SV-13           |       |            | 21.14   | 9.16   | 9.29            | 9.16    | 9.29   | 21.14   | 12.87  | 20.16 | 20.16 | 5.19 | 6.19 | 6.19     | 6.19      | 6.19   | 4.13    | 35            | 21 | 21        | 19      | 19     | 56      | 56     | 54         | 54     |         |        |
| 1SV-14           |       |            | 21.93   | 9.16   | 9.29            | 9.16    | 9.29   | 21.93   | 13.66  | 20.95 | 20.95 | 5.19 | 6.19 | 6.19     | 6.19      | 6.19   | 4.13    | 36            | 21 | 21        | 19      | 19     | 57      | 57     | 55         | 55     |         |        |
| 1SV-15           |       |            | 22.72   | 9.16   | 9.29            | 9.16    | 9.29   | 22.72   | 14.45  | 21.74 | 21.74 | 5.19 | 6.19 | 6.19     | 6.19      | 6.19   | 4.13    | 37            | 21 | 21        | 19      | 19     | 58      | 58     | 56         | 56     |         |        |
| 1SV-16           |       |            | 23.51   | 9.16   | 9.29            | 9.16    | 9.29   | 23.51   | 15.24  | 22.52 | 22.52 | 5.19 | 6.19 | 6.19     | 6.19      | 6.19   | 4.13    | 38            | 21 | 21        | 19      | 19     | 59      | 59     | 57         | 57     |         |        |
| 1SV-17           |       |            | 24.29   | 9.16   | 9.29            | 9.16    | 9.29   | 24.29   | 16.02  | 23.31 | 23.31 | 5.19 | 6.19 | 6.19     | 6.19      | 6.19   | 4.13    | 38            | 21 | 21        | 19      | 19     | 59      | 59     | 57         | 57     |         |        |
| 1SV-18           |       |            | 25.08   | 9.16   | 9.29            | 9.16    | 9.29   | 25.08   | 16.81  | 24.10 | 24.10 | 5.19 | 6.19 | 6.19     | 6.19      | 6.19   | 4.13    | 39            | 21 | 21        | 19      | 19     | 60      | 60     | 58         | 58     |         |        |
| 1SV-19           |       |            | 25.87   | 9.16   | 9.29            | 9.16    | 9.29   | 25.87   | 17.60  | 24.89 | 24.89 | 5.19 | 6.19 | 6.19     | 6.19      | 6.19   | 4.13    | 40            | 21 | 21        | 19      | 19     | 61      | 61     | 59         | 59     |         |        |
| 1SV-20           |       |            | 26.66   | 9.16   | 9.29            | 9.16    | 9.29   | 26.66   | 18.39  | 25.67 | 25.67 | 5.19 | 6.19 | 6.19     | 6.19      | 6.19   | 4.13    | 41            | 21 | 21        | 19      | 19     | 62      | 62     | 60         | 60     |         |        |
| 1SV-21           |       |            | 27.44   | 9.16   | 9.29            | 9.16    | 9.29   | 27.44   | 19.17  | 26.46 | 26.46 | 5.19 | 6.19 | 6.19     | 6.19      | 6.19   | 4.13    | 42            | 21 | 21        | 19      | 19     | 63      | 63     | 61         | 61     |         |        |
| 1SV-22           |       |            | 28.23   | 9.16   | 9.29            | 9.16    | 9.29   | 28.23   | 19.96  | 27.25 | 27.25 | 5.19 | 6.19 | 6.19     | 6.19      | 6.19   | 4.13    | 43            | 21 | 21        | 19      | 19     | 64      | 64     | 62         | 62     |         |        |
| 1SV-23           |       |            | 29.02   | 9.16   | 9.29            | 9.16    | 9.29   | 29.02   | 20.75  | 28.03 | 28.03 | 5.19 | 6.19 | 6.19     | 6.19      | 6.19   | 4.13    | 45            | 21 | 21        | 19      | 19     | 66      | 66     | 64         | 64     |         |        |
| 1SV-24           |       |            | 29.81   | 9.16   | 9.29            | 9.16    | 9.29   | 29.81   | 21.54  | 28.82 | 28.82 | 5.19 | 6.19 | 6.19     | 6.19      | 6.19   | 4.13    | 46            | 21 | 21        | 19      | 19     | 67      | 67     | 65         | 65     |         |        |
| 1SV-25           |       |            | 30.59   | 9.16   | 9.29            | 9.16    | 9.29   | 30.59   | 22.32  | 29.61 | 29.61 | 5.19 | 6.19 | 6.19     | 6.19      | 6.19   | 4.13    | 47            | 21 | 21        | 19      | 19     | 68      | 68     | 66         | 66     |         |        |
| 1SV-26           |       |            | 31.38   | 9.16   | 9.29            | 9.16    | 9.29   | 31.38   | 23.11  | 30.40 | 30.40 | 5.19 | 6.19 | 6.19     | 6.19      | 6.19   | 4.13    | 47            | 21 | 21        | 19      | 19     | 68      | 68     | 66         | 66     |         |        |
| 1SV-27           |       |            | 32.17   | 9.16   | 9.29            | 9.16    | 9.29   | 32.17   | 23.90  | 31.18 | 31.18 | 5.19 | 6.19 | 6.19     | 6.19      | 6.19   | 4.13    | 48            | 21 | 21        | 19      | 19     | 69      | 69     | 67         | 67     |         |        |
| 1SV-28           |       |            | 32.96   | 9.16   | 9.29            | 9.16    | 9.29   | 32.96   | 24.68  | 31.97 | 31.97 | 5.19 | 6.19 | 6.19     | 6.19      | 6.19   | 4.13    | 49            | 21 | 21        | 19      | 19     | 70      | 70     | 68         | 68     |         |        |
| 1SV-29           |       |            | 34.14   | 9.16   | 9.29            | 9.16    | 9.29   | 34.14   | 25.47  | 33.15 | 33.15 | 5.19 | 6.19 | 6.19     | 6.19      | 6.19   | 4.13    | 50            | 21 | 21        | 19      | 19     | 71      | 71     | 69         | 69     |         |        |
| 1SV-30           |       |            | 34.53   | 9.16   | 9.29            | 9.16    | 9.29   | 34.53   | 26.26  | 33.55 | 33.55 | 5.19 | 6.19 | 6.19     | 6.19      | 6.19   | 4.13    | 51            | 21 | 21        | 19      | 19     | 72      | 72     | 70         | 70     |         |        |

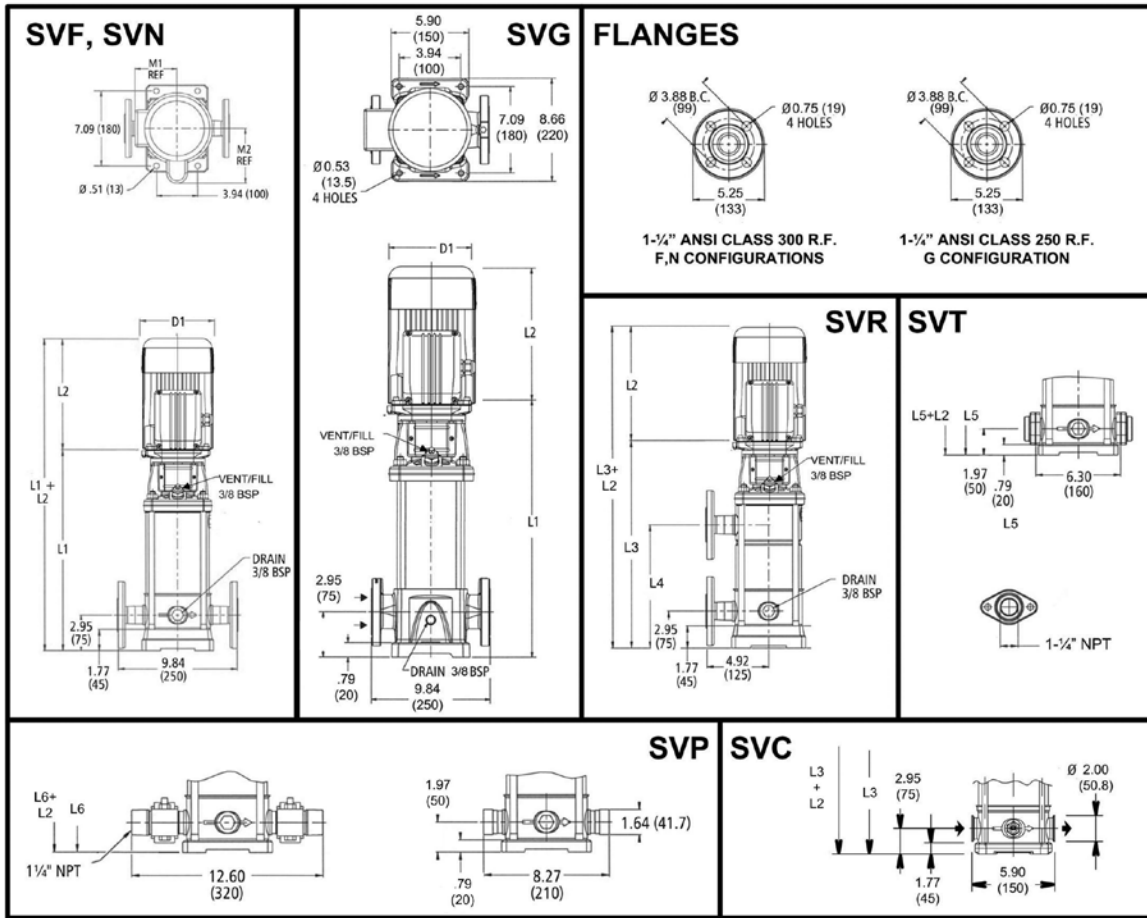
### Performance Curve

**1SV 1750 RPM**

**60 Hz**



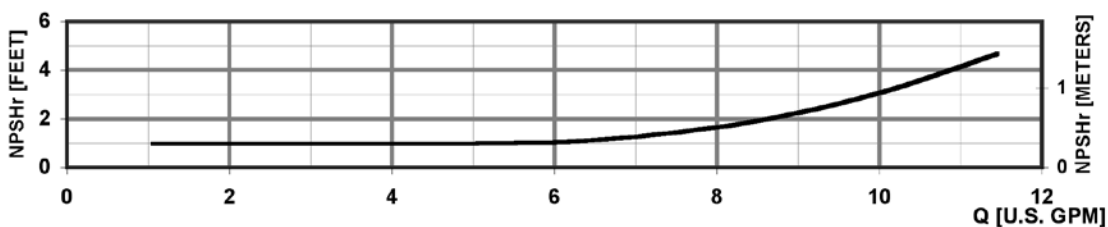
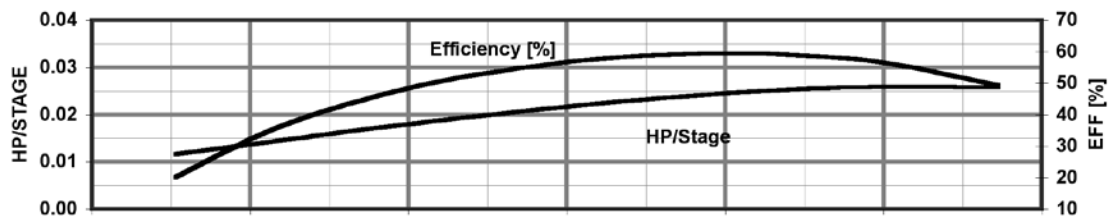
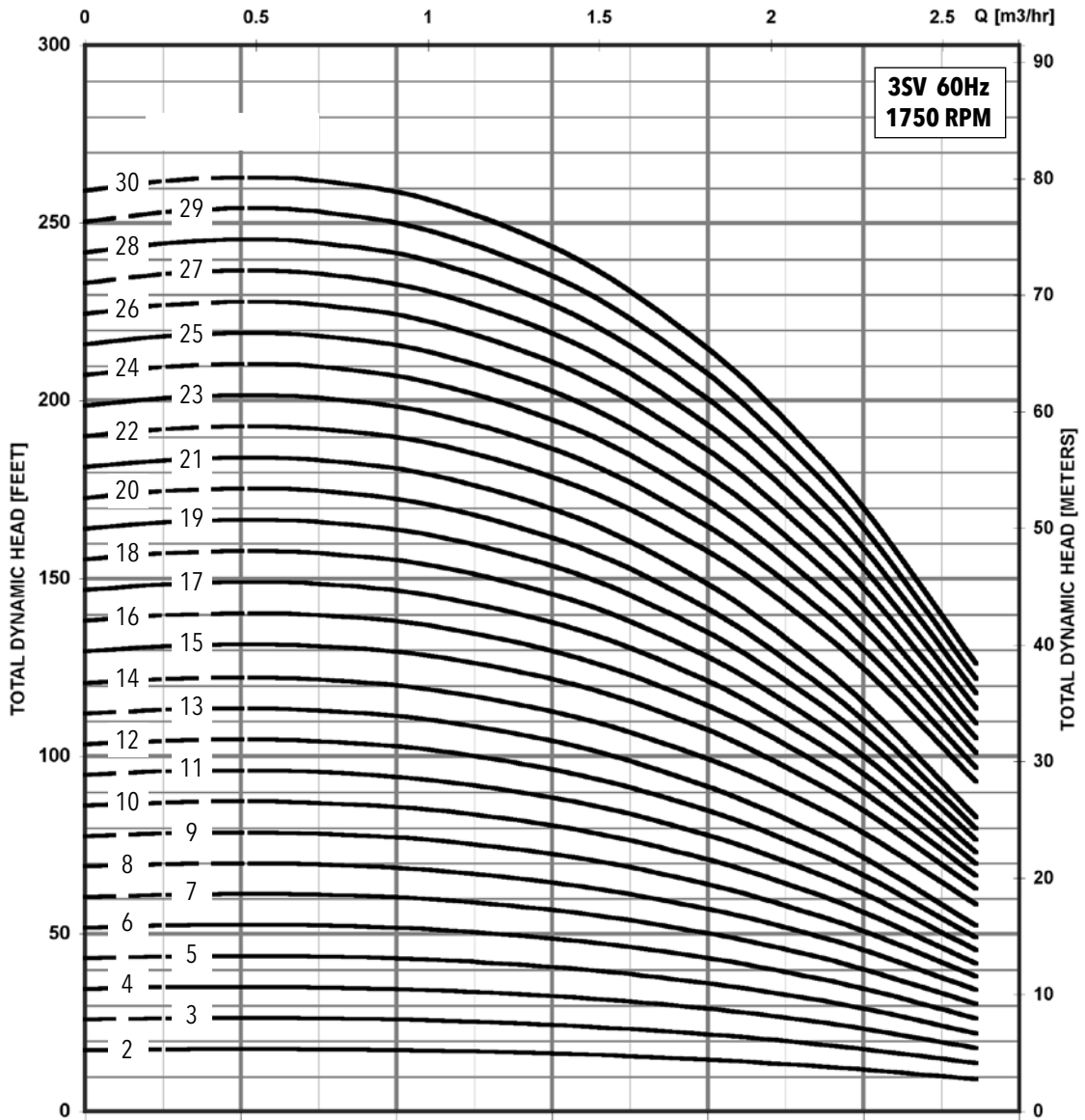
**MINIMUM FLOW RATE: 1 GPM [.24 m³/hr]**



All dimensions are in inches (mm).

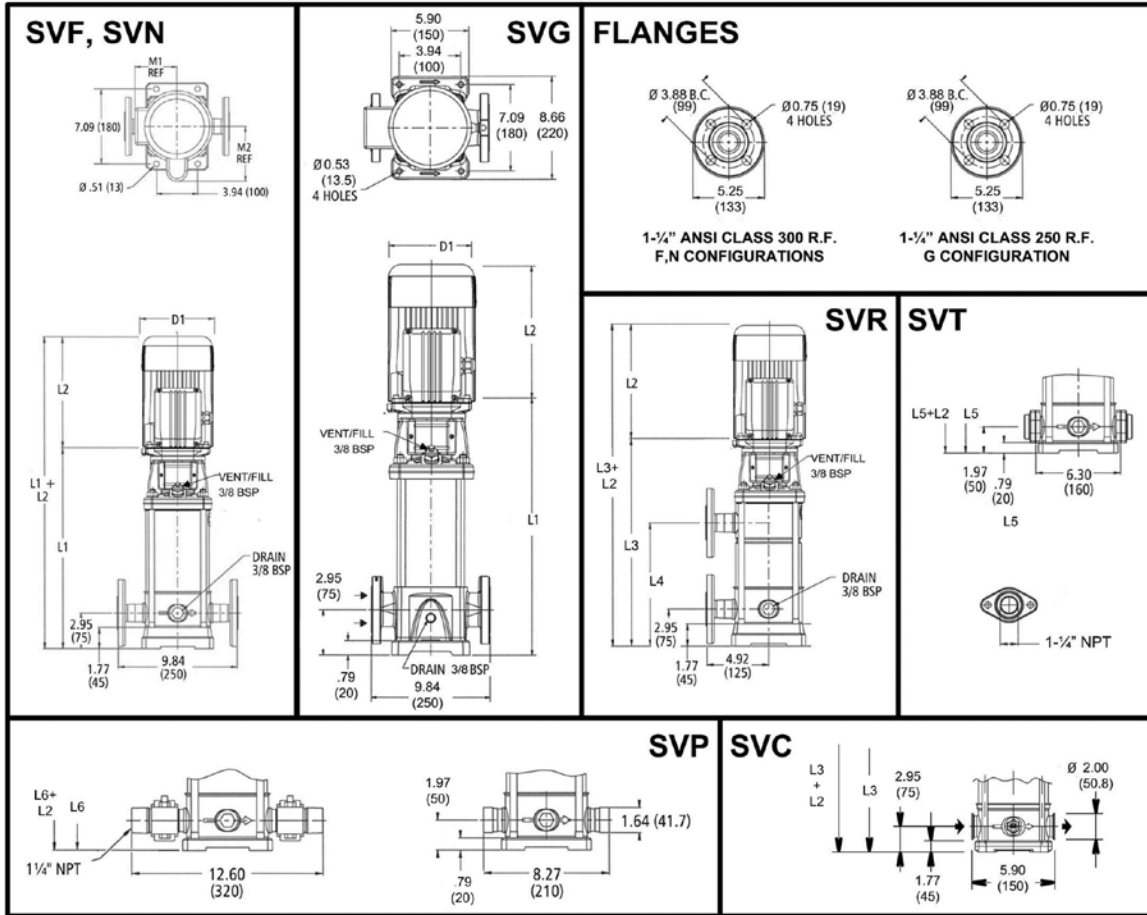
### 3SV SERIES – 60Hz, 1750 RPM ODP/TEFC Enclosures

| Pump Type Stages | Motor |            |         |        |         | Dimensions (in) |        |         |        |         |       |       |       |      |          |           | Weight (lbs.) |        |         |    |           |        |         |        |         |            |         |        |         |
|------------------|-------|------------|---------|--------|---------|-----------------|--------|---------|--------|---------|-------|-------|-------|------|----------|-----------|---------------|--------|---------|----|-----------|--------|---------|--------|---------|------------|---------|--------|---------|
|                  | HP    | NEMA Frame |         |        |         | L1              | L2     |         |        |         | L3    | L4    | L5    | L6   | M (Ref.) | D1 (max.) |               |        |         | D2 | Pump Only | Motor  |         |        |         | Pump/Motor |         |        |         |
|                  |       | ODP 1Ø     | TEFC 1Ø | ODP 3Ø | TEFC 3Ø |                 | ODP 1Ø | TEFC 1Ø | ODP 3Ø | TEFC 3Ø |       |       |       |      |          | ODP 1Ø    | TEFC 1Ø       | ODP 3Ø | TEFC 3Ø |    |           | ODP 1Ø | TEFC 1Ø | ODP 3Ø | TEFC 3Ø | ODP 1Ø     | TEFC 1Ø | ODP 3Ø | TEFC 3Ø |
| 3SV-02           |       |            |         |        | 13.27   | 9.16            | 9.29   | 9.16    | 9.29   | -       | -     | 12.29 | 12.29 | 5.19 | 6.19     | 6.19      | 6.19          | 6.19   | 4.13    | 24 | 21        | 21     | 19      | 19     | 45      | 45         | 43      | 43     |         |
| 3SV-03           |       |            |         |        | 13.27   | 9.16            | 9.29   | 9.16    | 9.29   | -       | -     | 12.29 | 12.29 | 5.19 | 6.19     | 6.19      | 6.19          | 6.19   | 4.13    | 25 | 21        | 21     | 19      | 19     | 46      | 46         | 44      | 44     |         |
| 3SV-04           |       |            |         |        | 14.06   | 9.16            | 9.29   | 9.16    | 9.29   | -       | -     | 13.07 | 13.07 | 5.19 | 6.19     | 6.19      | 6.19          | 6.19   | 4.13    | 26 | 21        | 21     | 19      | 19     | 47      | 47         | 45      | 45     |         |
| 3SV-05           |       |            |         |        | 14.85   | 9.16            | 9.29   | 9.16    | 9.29   | -       | -     | 13.86 | 13.86 | 5.19 | 6.19     | 6.19      | 6.19          | 6.19   | 4.13    | 27 | 21        | 21     | 19      | 19     | 48      | 48         | 46      | 46     |         |
| 3SV-06           |       |            |         |        | 15.63   | 9.16            | 9.29   | 9.16    | 9.29   | -       | -     | 14.65 | 14.65 | 5.19 | 6.19     | 6.19      | 6.19          | 6.19   | 4.13    | 28 | 21        | 21     | 19      | 19     | 49      | 49         | 47      | 47     |         |
| 3SV-07           |       |            |         |        | 16.42   | 9.16            | 9.29   | 9.16    | 9.29   | -       | -     | 15.44 | 15.44 | 5.19 | 6.19     | 6.19      | 6.19          | 6.19   | 4.13    | 30 | 21        | 21     | 19      | 19     | 51      | 51         | 49      | 49     |         |
| 3SV-08           |       |            |         |        | 17.21   | 9.16            | 9.29   | 9.16    | 9.29   | 17.21   | 8.94  | 16.22 | 16.22 | 5.19 | 6.19     | 6.19      | 6.19          | 6.19   | 4.13    | 31 | 21        | 21     | 19      | 19     | 52      | 52         | 50      | 50     |         |
| 3SV-09           |       |            |         |        | 18.00   | 9.16            | 9.29   | 9.16    | 9.29   | 18.00   | 9.72  | 17.01 | 17.01 | 5.19 | 6.19     | 6.19      | 6.19          | 6.19   | 4.13    | 32 | 21        | 21     | 19      | 19     | 53      | 53         | 51      | 51     |         |
| 3SV-10           |       |            |         |        | 18.78   | 9.16            | 9.29   | 9.16    | 9.29   | 18.78   | 10.51 | 17.80 | 17.80 | 5.19 | 6.19     | 6.19      | 6.19          | 6.19   | 4.13    | 33 | 21        | 21     | 19      | 19     | 54      | 54         | 52      | 52     |         |
| 3SV-11           |       |            |         |        | 19.57   | 9.16            | 9.29   | 9.16    | 9.29   | 19.57   | 11.30 | 18.59 | 18.59 | 5.19 | 6.19     | 6.19      | 6.19          | 6.19   | 4.13    | 34 | 21        | 21     | 19      | 19     | 55      | 55         | 53      | 53     |         |
| 3SV-12           |       |            |         |        | 20.36   | 9.16            | 9.29   | 9.16    | 9.29   | 20.36   | 12.09 | 19.37 | 19.37 | 5.19 | 6.19     | 6.19      | 6.19          | 6.19   | 4.13    | 35 | 21        | 21     | 19      | 19     | 56      | 56         | 54      | 54     |         |
| 3SV-13           |       |            |         |        | 21.14   | 9.16            | 9.29   | 9.16    | 9.29   | 21.14   | 12.87 | 20.16 | 20.16 | 5.19 | 6.19     | 6.19      | 6.19          | 6.19   | 4.13    | 36 | 21        | 21     | 19      | 19     | 57      | 57         | 55      | 55     |         |
| 3SV-14           |       |            |         |        | 21.93   | 9.16            | 9.29   | 9.16    | 9.29   | 21.93   | 13.66 | 20.95 | 20.95 | 5.19 | 6.19     | 6.19      | 6.19          | 6.19   | 4.13    | 37 | 21        | 21     | 19      | 19     | 58      | 58         | 56      | 56     |         |
| 3SV-15           |       |            |         |        | 22.72   | 9.16            | 9.29   | 9.16    | 9.29   | 22.72   | 14.45 | 21.74 | 21.74 | 5.19 | 6.19     | 6.19      | 6.19          | 6.19   | 4.13    | 38 | 21        | 21     | 19      | 19     | 59      | 59         | 57      | 57     |         |
| 3SV-16           |       |            |         |        | 23.51   | 9.16            | 9.29   | 9.16    | 9.29   | 23.51   | 15.24 | 22.52 | 22.52 | 5.19 | 6.19     | 6.19      | 6.19          | 6.19   | 4.13    | 39 | 21        | 21     | 19      | 19     | 60      | 60         | 58      | 58     |         |
| 3SV-17           |       |            |         |        | 24.29   | 9.16            | 9.29   | 9.16    | 9.29   | 24.29   | 16.02 | 23.31 | 23.31 | 5.19 | 6.19     | 6.19      | 6.19          | 6.19   | 4.13    | 40 | 21        | 21     | 19      | 19     | 61      | 61         | 59      | 59     |         |
| 3SV-18           |       |            |         |        | 25.08   | 9.16            | 9.29   | 9.16    | 9.29   | 25.08   | 16.81 | 24.10 | 24.10 | 5.19 | 6.19     | 6.19      | 6.19          | 6.19   | 4.13    | 41 | 21        | 21     | 19      | 19     | 62      | 62         | 60      | 60     |         |
| 3SV-19           |       |            |         |        | 25.87   | 9.16            | 9.29   | 9.16    | 9.29   | 25.87   | 17.60 | 24.89 | 24.89 | 5.19 | 6.19     | 6.19      | 6.19          | 6.19   | 4.13    | 41 | 21        | 21     | 19      | 19     | 62      | 62         | 60      | 60     |         |
| 3SV-20           |       |            |         |        | 26.66   | 9.16            | 9.29   | 9.16    | 9.29   | 26.66   | 18.39 | 25.67 | 25.67 | 5.19 | 6.19     | 6.19      | 6.19          | 6.19   | 4.13    | 42 | 21        | 21     | 19      | 19     | 63      | 63         | 61      | 61     |         |
| 3SV-21           |       |            |         |        | 27.44   | 9.16            | 9.29   | 9.16    | 9.29   | 27.44   | 19.17 | 26.46 | 26.46 | 5.19 | 6.19     | 6.19      | 6.19          | 6.19   | 4.13    | 43 | 21        | 21     | 19      | 19     | 64      | 64         | 62      | 62     |         |
| 3SV-22           |       |            |         |        | 28.23   | 9.16            | 9.29   | 9.16    | 9.29   | 28.23   | 19.96 | 27.25 | 27.25 | 5.19 | 6.19     | 6.19      | 6.19          | 6.19   | 4.13    | 44 | 21        | 21     | 19      | 19     | 65      | 65         | 63      | 63     |         |
| 3SV-23           |       |            |         |        | 29.02   | 9.16            | 9.29   | 9.16    | 9.29   | 29.02   | 20.75 | 28.03 | 28.03 | 5.19 | 6.19     | 6.19      | 6.19          | 6.19   | 4.13    | 45 | 21        | 21     | 19      | 19     | 66      | 66         | 64      | 64     |         |
| 3SV-24           |       |            |         |        | 29.81   | 9.16            | 9.29   | 9.16    | 9.29   | 29.81   | 21.54 | 28.82 | 28.82 | 5.19 | 6.19     | 6.19      | 6.19          | 6.19   | 4.13    | 46 | 21        | 21     | 19      | 19     | 67      | 67         | 65      | 65     |         |
| 3SV-25           |       |            |         |        | 30.59   | 9.16            | 9.29   | 9.16    | 9.29   | 30.59   | 22.32 | 29.61 | 29.61 | 5.19 | 6.19     | 6.19      | 6.19          | 6.19   | 4.13    | 47 | 21        | 21     | 19      | 19     | 68      | 68         | 66      | 66     |         |
| 3SV-26           |       |            |         |        | 31.38   | 10.79           | 9.91   | 9.16    | 9.29   | 31.38   | 23.11 | 30.40 | 30.40 | 5.19 | 6.19     | 6.19      | 6.19          | 6.19   | 4.13    | 48 | 27        | 29     | 21      | 21     | 75      | 77         | 69      | 69     |         |
| 3SV-27           |       |            |         |        | 31.77   | 10.79           | 9.91   | 9.16    | 9.29   | 31.77   | 23.90 | 30.79 | 30.79 | 5.19 | 6.19     | 6.19      | 6.19          | 6.19   | 4.13    | 50 | 27        | 29     | 21      | 21     | 77      | 79         | 71      | 71     |         |
| 3SV-28           |       |            |         |        | 32.56   | 10.79           | 9.91   | 9.16    | 9.29   | 32.56   | 24.68 | 31.58 | 31.58 | 5.19 | 6.19     | 6.19      | 6.19          | 6.19   | 4.13    | 51 | 27        | 29     | 21      | 21     | 78      | 80         | 72      | 72     |         |
| 3SV-29           |       |            |         |        | 33.74   | 10.79           | 9.91   | 9.16    | 9.29   | 33.74   | 25.47 | 32.76 | 32.76 | 5.19 | 6.19     | 6.19      | 6.19          | 6.19   | 4.13    | 52 | 27        | 29     | 21      | 21     | 79      | 81         | 73      | 73     |         |
| 3SV-30           |       |            |         |        | 34.53   | 10.79           | 9.91   | 9.16    | 9.29   | 34.53   | 26.26 | 33.55 | 33.55 | 5.19 | 6.19     | 6.19      | 6.19          | 6.19   | 4.13    | 53 | 27        | 29     | 21      | 21     | 80      | 82         | 74      | 74     |         |



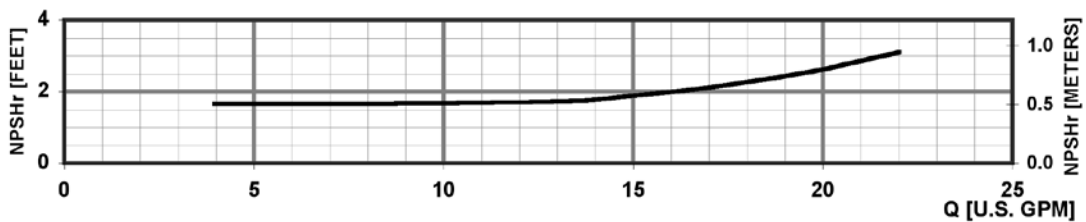
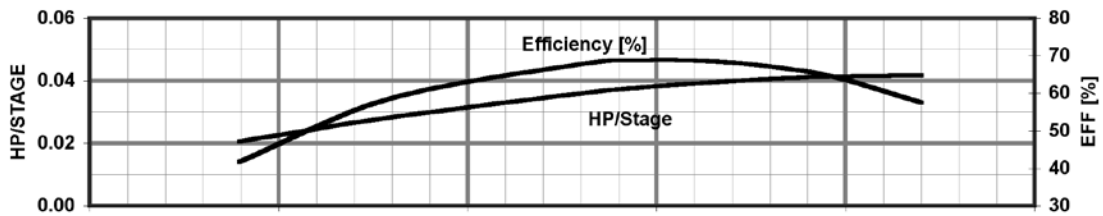
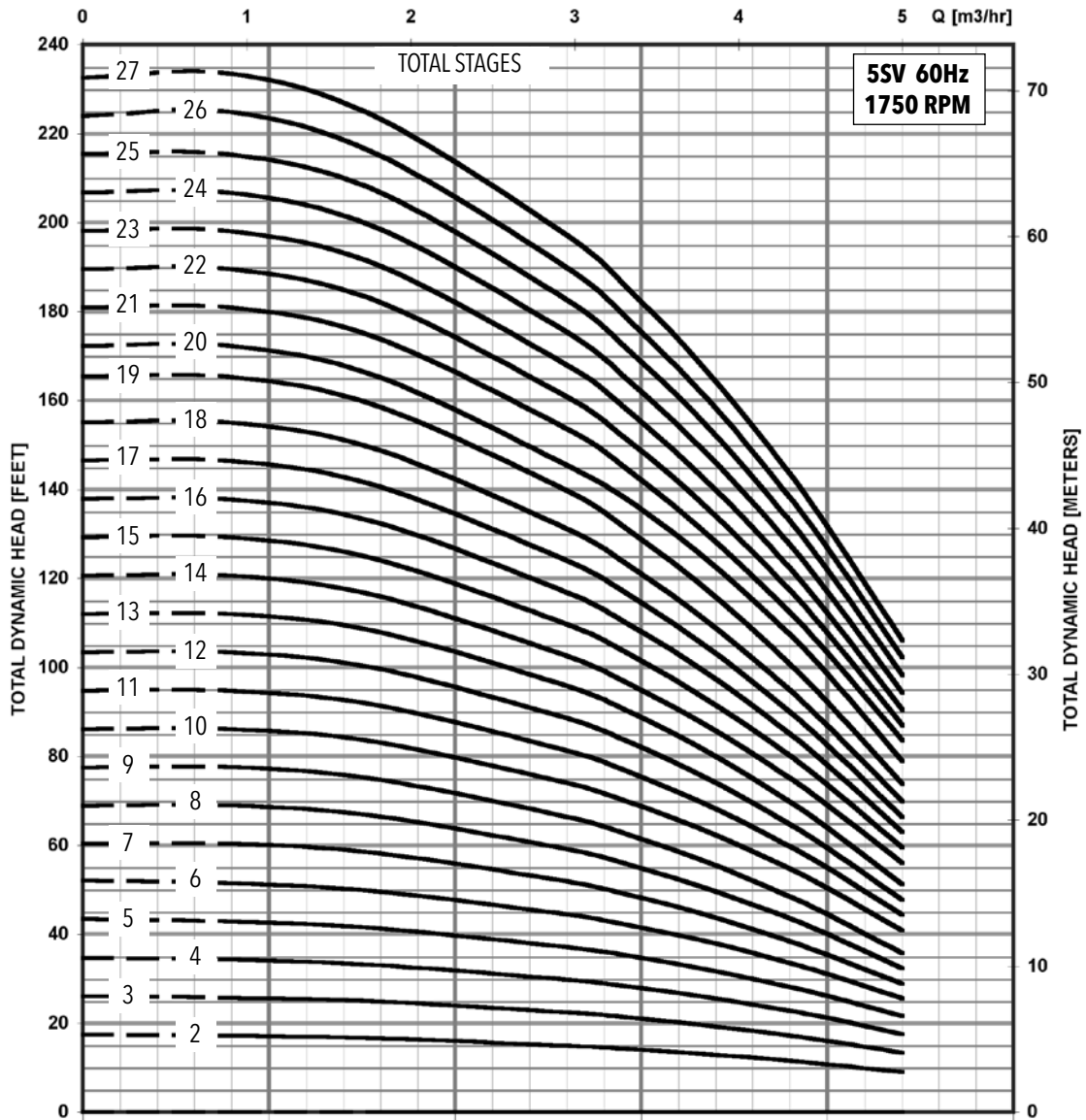
**MINIMUM FLOW RATE: 1 GPM [.24 m³/hr]**





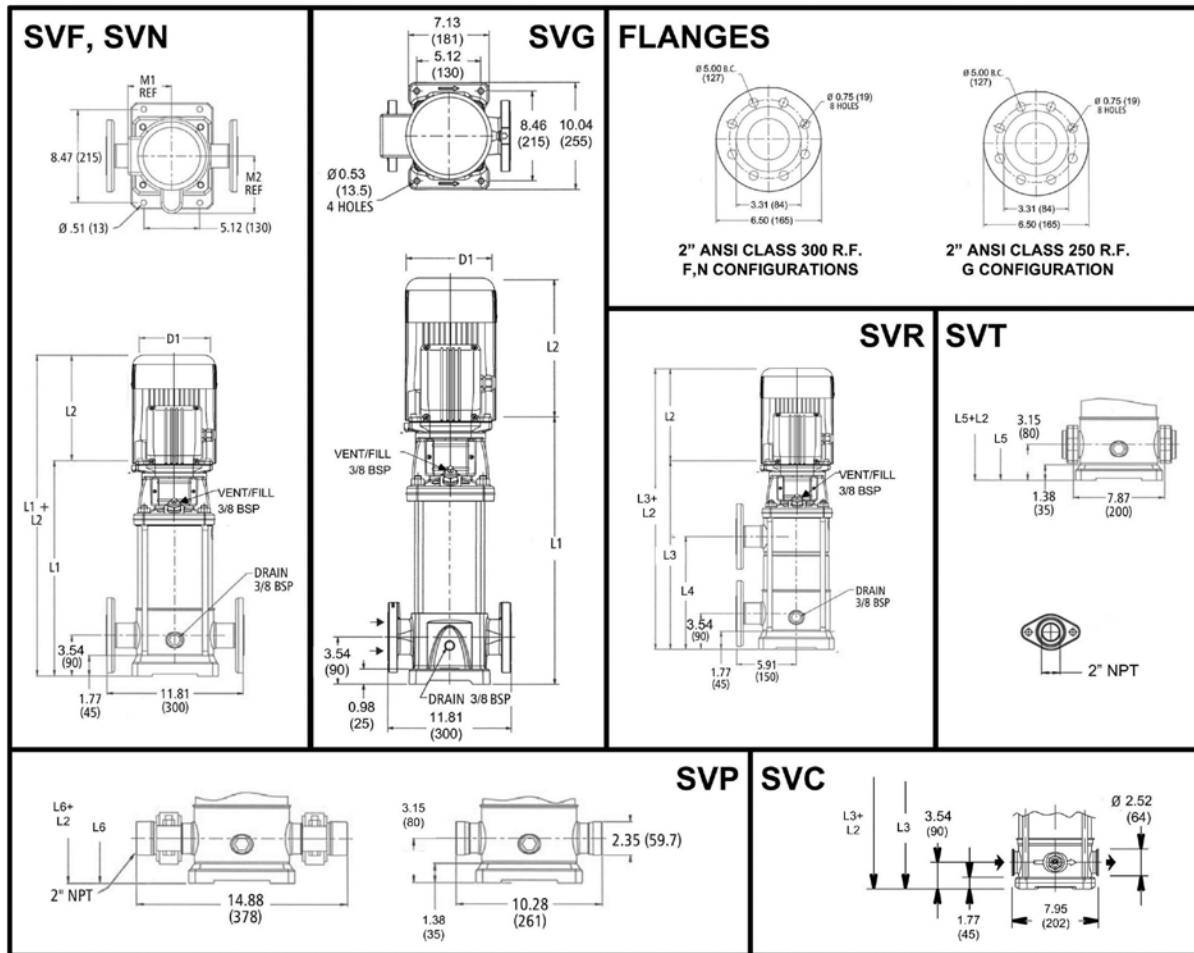
### 5SV SERIES – 60Hz, 1750 RPM ODP/TEFC Enclosures

| Pump Type Stages | Motor |            |         |        |         | Dimensions (in) |        |         |        |         |       |       |       |      |          | Weight (lbs.) |         |        |         |    |           |        |         |        |         |            |         |        |         |
|------------------|-------|------------|---------|--------|---------|-----------------|--------|---------|--------|---------|-------|-------|-------|------|----------|---------------|---------|--------|---------|----|-----------|--------|---------|--------|---------|------------|---------|--------|---------|
|                  | HP    | NEMA Frame |         |        |         | L1              | L2     |         |        |         | L3    | L4    | L5    | L6   | M (Ref.) | D1 (max.)     |         |        |         | D2 | Pump Only | Motor  |         |        |         | Pump/Motor |         |        |         |
|                  |       | ODP 1Ø     | TEFC 1Ø | ODP 3Ø | TEFC 3Ø |                 | ODP 1Ø | TEFC 1Ø | ODP 3Ø | TEFC 3Ø |       |       |       |      |          | ODP 1Ø        | TEFC 1Ø | ODP 3Ø | TEFC 3Ø |    |           | ODP 1Ø | TEFC 1Ø | ODP 3Ø | TEFC 3Ø | ODP 1Ø     | TEFC 1Ø | ODP 3Ø | TEFC 3Ø |
| 5SV-02           | 0.5   | 56C        | 13.86   | 9.16   | 9.29    | 9.16            | 9.29   | -       | -      | 12.88   | 12.88 | 5.19  | 6.19  | 6.19 | 6.19     | 6.19          | 4.13    | 25     | 21      | 21 | 19        | 19     | 46      | 46     | 44      | 44         |         |        |         |
| 5SV-03           |       |            | 13.86   | 9.16   | 9.29    | 9.16            | 9.29   | -       | -      | 12.88   | 12.88 | 5.19  | 6.19  | 6.19 | 6.19     | 6.19          | 4.13    | 26     | 21      | 21 | 19        | 19     | 47      | 47     | 45      | 45         |         |        |         |
| 5SV-04           |       |            | 14.85   | 9.16   | 9.29    | 9.16            | 9.29   | -       | -      | 13.86   | 13.86 | 5.19  | 6.19  | 6.19 | 6.19     | 6.19          | 4.13    | 28     | 21      | 21 | 19        | 19     | 49      | 49     | 47      | 47         |         |        |         |
| 5SV-05           |       |            | 15.83   | 9.16   | 9.29    | 9.16            | 9.29   | -       | -      | 14.85   | 14.85 | 5.19  | 6.19  | 6.19 | 6.19     | 6.19          | 4.13    | 29     | 21      | 21 | 19        | 19     | 50      | 50     | 48      | 48         |         |        |         |
| 5SV-06           |       |            | 16.81   | 9.16   | 9.29    | 9.16            | 9.29   | -       | -      | 15.83   | 15.83 | 5.19  | 6.19  | 6.19 | 6.19     | 6.19          | 4.13    | 30     | 21      | 21 | 19        | 19     | 51      | 51     | 49      | 49         |         |        |         |
| 5SV-07           |       |            | 17.80   | 9.16   | 9.29    | 9.16            | 9.29   | 17.80   | 9.53   | 16.81   | 16.81 | 5.19  | 6.19  | 6.19 | 6.19     | 6.19          | 4.13    | 31     | 21      | 21 | 19        | 19     | 52      | 52     | 50      | 50         |         |        |         |
| 5SV-08           |       |            | 18.78   | 9.16   | 9.29    | 9.16            | 9.29   | 18.78   | 10.51  | 17.80   | 17.80 | 5.19  | 6.19  | 6.19 | 6.19     | 6.19          | 4.13    | 33     | 21      | 21 | 19        | 19     | 54      | 54     | 52      | 52         |         |        |         |
| 5SV-09           |       |            | 19.77   | 9.16   | 9.29    | 9.16            | 9.29   | 19.77   | 11.50  | 18.78   | 18.78 | 5.19  | 6.19  | 6.19 | 6.19     | 6.19          | 4.13    | 33     | 21      | 21 | 19        | 19     | 54      | 54     | 52      | 52         |         |        |         |
| 5SV-10           |       |            | 20.75   | 9.16   | 9.29    | 9.16            | 9.29   | 20.75   | 12.48  | 19.77   | 19.77 | 5.19  | 6.19  | 6.19 | 6.19     | 6.19          | 4.13    | 34     | 21      | 21 | 19        | 19     | 55      | 55     | 53      | 53         |         |        |         |
| 5SV-11           |       |            | 21.74   | 9.16   | 9.29    | 9.16            | 9.29   | 21.74   | 13.46  | 20.75   | 20.75 | 5.19  | 6.19  | 6.19 | 6.19     | 6.19          | 4.13    | 35     | 21      | 21 | 19        | 19     | 56      | 56     | 54      | 54         |         |        |         |
| 5SV-12           |       |            | 22.72   | 9.16   | 9.29    | 9.16            | 9.29   | 22.72   | 14.45  | 21.74   | 21.74 | 5.19  | 6.19  | 6.19 | 6.19     | 6.19          | 4.13    | 36     | 21      | 21 | 19        | 19     | 57      | 57     | 55      | 55         |         |        |         |
| 5SV-13           |       |            | 23.70   | 9.16   | 9.29    | 9.16            | 9.29   | 23.70   | 15.43  | 22.72   | 22.72 | 5.19  | 6.19  | 6.19 | 6.19     | 6.19          | 4.13    | 38     | 21      | 21 | 19        | 19     | 59      | 59     | 57      | 57         |         |        |         |
| 5SV-14           |       |            | 24.69   | 9.16   | 9.29    | 9.16            | 9.29   | 24.69   | 16.42  | 23.70   | 23.70 | 5.19  | 6.19  | 6.19 | 6.19     | 6.19          | 4.13    | 38     | 21      | 21 | 19        | 19     | 59      | 59     | 57      | 57         |         |        |         |
| 5SV-15           |       |            | 25.67   | 9.16   | 9.29    | 9.16            | 9.29   | 25.67   | 17.40  | 24.69   | 24.69 | 5.19  | 6.19  | 6.19 | 6.19     | 6.19          | 4.13    | 39     | 21      | 21 | 19        | 19     | 60      | 60     | 58      | 58         |         |        |         |
| 5SV-16           |       |            | 26.66   | 9.16   | 9.29    | 9.16            | 9.29   | 26.66   | 18.39  | 25.67   | 25.67 | 5.19  | 6.19  | 6.19 | 6.19     | 6.19          | 4.13    | 41     | 21      | 21 | 19        | 19     | 62      | 62     | 60      | 60         |         |        |         |
| 5SV-17           |       |            | 0.75    | 56C    | 27.84   | 10.79           | 9.91   | 9.16    | 9.29   | 27.84   | 19.37 | 26.85 | 26.85 | 5.19 | 6.19     | 6.19          | 6.19    | 6.19   | 4.13    | 43 | 27        | 29     | 21      | 21     | 70      | 72         | 64      | 64     |         |
| 5SV-18           |       |            |         |        | 28.63   | 10.79           | 9.91   | 9.16    | 9.29   | 28.63   | 20.35 | 27.64 | 27.64 | 5.19 | 6.19     | 6.19          | 6.19    | 6.19   | 4.13    | 44 | 27        | 29     | 21      | 21     | 71      | 73         | 65      | 65     |         |
| 5SV-19           |       |            |         |        | 29.81   | 10.79           | 9.91   | 9.16    | 9.29   | 29.81   | 21.34 | 28.82 | 28.82 | 5.19 | 6.19     | 6.19          | 6.19    | 6.19   | 4.13    | 45 | 27        | 29     | 21      | 21     | 72      | 74         | 66      | 66     |         |
| 5SV-20           | 30.99 | 10.79      |         |        | 9.91    | 9.16            | 9.29   | 30.99   | 22.32  | 30.00   | 30.00 | 5.19  | 6.19  | 6.19 | 6.19     | 6.19          | 4.13    | 46     | 27      | 29 | 21        | 21     | 73      | 75     | 67      | 67         |         |        |         |
| 5SV-21           | 31.58 | 10.79      |         |        | 9.91    | 9.16            | 9.29   | 31.58   | 23.31  | 30.59   | 30.59 | 5.19  | 6.19  | 6.19 | 6.19     | 6.19          | 4.13    | 47     | 27      | 29 | 21        | 21     | 74      | 76     | 68      | 68         |         |        |         |
| 5SV-22           | 32.64 | 10.79      |         |        | 9.91    | 9.16            | 9.29   | 32.64   | 24.29  | 31.66   | 31.66 | 5.19  | 6.19  | 6.19 | 6.19     | 6.19          | 4.13    | 48     | 27      | 29 | 21        | 21     | 75      | 77     | 69      | 69         |         |        |         |
| 5SV-23           | 33.55 | 10.79      |         |        | 9.91    | 9.16            | 9.29   | 33.55   | 25.28  | 32.56   | 32.56 | 5.19  | 6.19  | 6.19 | 6.19     | 6.19          | 4.13    | 49     | 27      | 29 | 21        | 21     | 76      | 78     | 70      | 70         |         |        |         |
| 5SV-24           | 34.61 | 10.79      |         |        | 9.91    | 9.16            | 9.29   | 34.61   | 26.26  | 33.63   | 33.63 | 5.19  | 6.19  | 6.19 | 6.19     | 6.19          | 4.13    | 51     | 27      | 29 | 21        | 21     | 78      | 80     | 72      | 72         |         |        |         |
| 5SV-25           | 35.51 | 10.66      |         |        | 11.19   | 9.16            | 9.29   | 35.51   | 27.24  | 34.53   | 34.53 | 5.74  | 6.19  | 7.19 | 6.19     | 6.19          | 4.13    | 51     | 32      | 40 | 23        | 23     | 83      | 91     | 74      | 74         |         |        |         |
| 5SV-26           | 36.58 | 10.66      |         |        | 11.19   | 9.16            | 9.29   | 36.58   | 28.23  | 35.59   | 35.59 | 5.74  | 6.19  | 7.19 | 6.19     | 6.19          | 4.13    | 52     | 32      | 40 | 23        | 23     | 84      | 92     | 75      | 75         |         |        |         |
| 5SV-27           | 37.56 | 10.66      |         |        | 11.19   | 9.16            | 9.29   | 37.56   | 29.21  | 36.58   | 36.58 | 5.74  | 6.19  | 7.19 | 6.19     | 6.19          | 4.13    | 53     | 32      | 40 | 23        | 23     | 85      | 93     | 76      | 76         |         |        |         |



**MINIMUM FLOW RATE: 3 GPM [.7 m<sup>3</sup>/hr]**





All dimensions are in inches (mm).

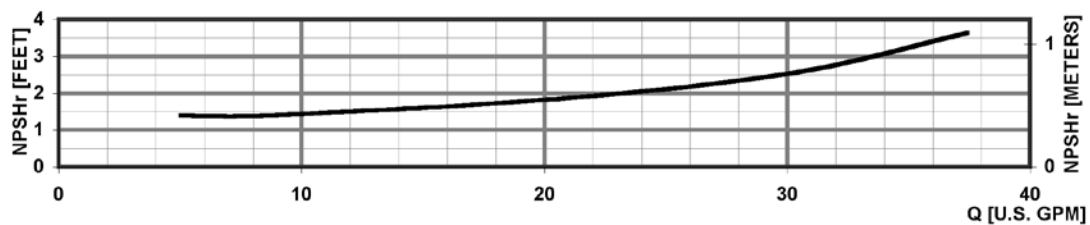
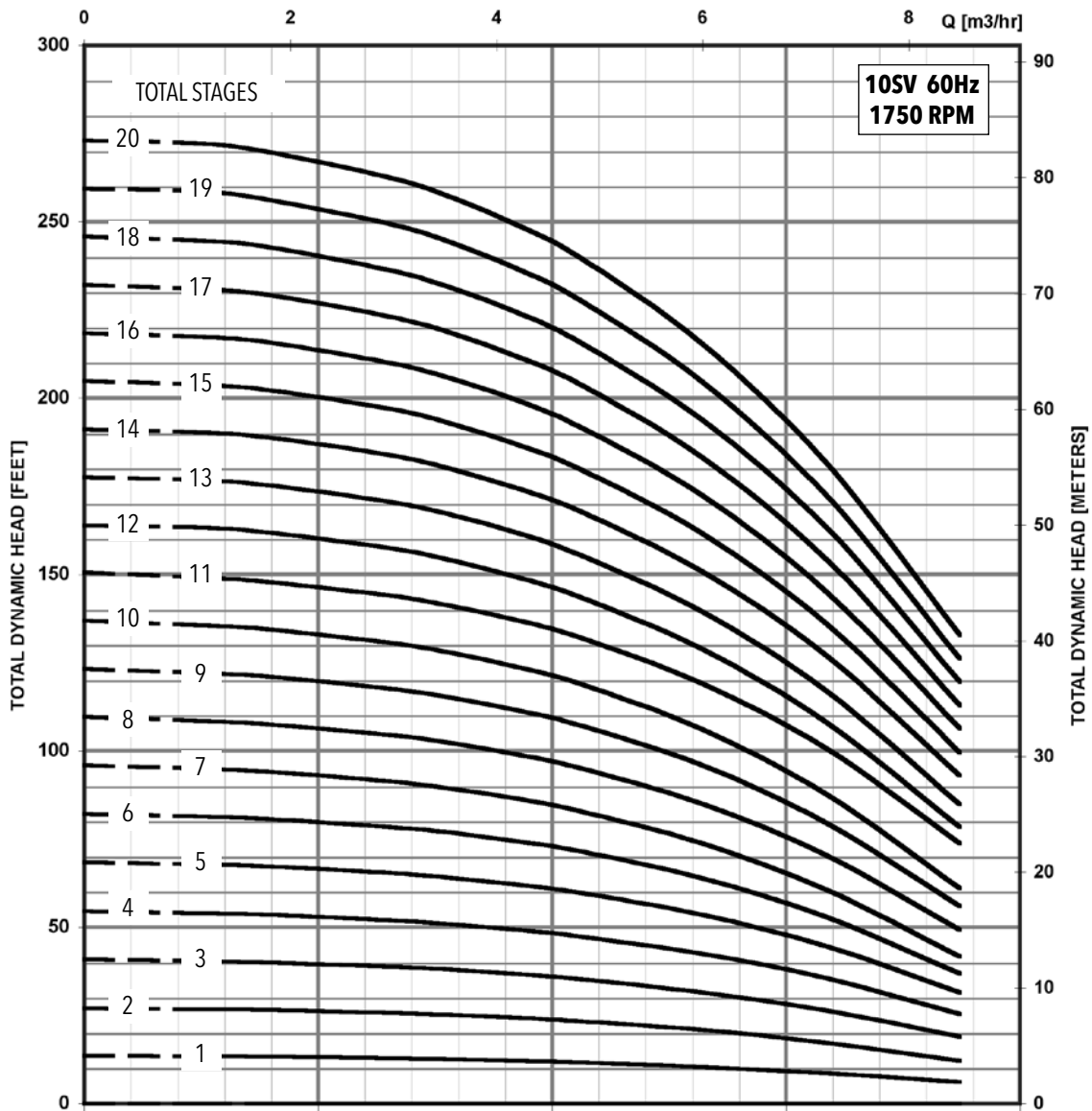
### 10SV SERIES – 60Hz, 1750 RPM ODP/TEFC Enclosures

| Pump Type Stages | Motor |            |         |        | Dimensions (in) |         |        |         |        |       |       |       |       |          |           | Weight (lbs.) |         |        |      |           |         |        |         |        |            |        |         |        |
|------------------|-------|------------|---------|--------|-----------------|---------|--------|---------|--------|-------|-------|-------|-------|----------|-----------|---------------|---------|--------|------|-----------|---------|--------|---------|--------|------------|--------|---------|--------|
|                  | HP    | NEMA Frame |         |        | L1              | L2      |        |         |        | L3    | L4    | L5    | L6    | M (Ref.) | D1 (max.) |               |         |        | D2   | Pump Only | Motor   |        |         |        | Pump/Motor |        |         |        |
|                  |       | ODP 10     | TEFC 10 | ODP 30 |                 | TEFC 30 | ODP 10 | TEFC 10 | ODP 30 |       |       |       |       |          | TEFC 30   | ODP 10        | TEFC 10 | ODP 30 |      |           | TEFC 30 | ODP 10 | TEFC 10 | ODP 30 | TEFC 30    | ODP 10 | TEFC 10 | ODP 30 |
| 10SV-01          | 56C   |            |         |        | 16.56           | 9.16    | 9.29   | 9.16    | 9.29   | -     | -     | 16.17 | 16.17 | 5.19     | 6.2       | 6.19          | 6.19    | 6.19   | 4.13 | 36        | 21      | 21     | 19      | 19     | 57         | 57     | 55      | 55     |
| 10SV-02          |       |            |         |        | 16.56           | 9.16    | 9.29   | 9.16    | 9.29   | -     | -     | 16.17 | 16.17 | 5.19     | 6.2       | 6.19          | 6.19    | 6.19   | 4.13 | 38        | 21      | 21     | 19      | 19     | 59         | 59     | 57      | 57     |
| 10SV-03          |       |            |         |        | 17.82           | 9.16    | 9.29   | 9.16    | 9.29   | -     | -     | 17.43 | 17.43 | 5.19     | 6.2       | 6.19          | 6.19    | 6.19   | 4.13 | 40        | 21      | 21     | 19      | 19     | 61         | 61     | 59      | 59     |
| 10SV-04          |       |            |         |        | 19.08           | 9.16    | 9.29   | 9.16    | 9.29   | -     | -     | 18.69 | 18.69 | 5.19     | 6.2       | 6.19          | 6.19    | 6.19   | 4.13 | 43        | 21      | 21     | 19      | 19     | 64         | 64     | 62      | 62     |
| 10SV-05          |       |            |         |        | 20.34           | 9.16    | 9.29   | 9.16    | 9.29   | 20.34 | 10.20 | 19.95 | 19.95 | 5.19     | 6.2       | 6.19          | 6.19    | 6.19   | 4.13 | 45        | 21      | 21     | 19      | 19     | 66         | 66     | 64      | 64     |
| 10SV-06          |       |            |         |        | 21.60           | 10.79   | 9.91   | 9.16    | 9.29   | 21.60 | 11.46 | 21.21 | 21.21 | 5.19     | 6.19      | 6.19          | 6.19    | 6.19   | 4.13 | 47        | 27      | 29     | 21      | 21     | 74         | 76     | 68      | 68     |
| 10SV-07          |       |            |         |        | 22.86           | 10.79   | 9.91   | 9.16    | 9.29   | 22.86 | 12.72 | 22.47 | 22.47 | 5.19     | 6.19      | 6.19          | 6.19    | 6.19   | 4.13 | 49        | 27      | 29     | 21      | 21     | 76         | 78     | 70      | 70     |
| 10SV-08          |       |            |         |        | 24.12           | 10.79   | 9.91   | 9.16    | 9.29   | 24.12 | 13.98 | 23.72 | 23.72 | 5.19     | 6.19      | 6.19          | 6.19    | 6.19   | 4.13 | 51        | 27      | 29     | 21      | 21     | 78         | 80     | 72      | 72     |
| 10SV-09          |       |            |         |        | 25.38           | 10.66   | 11.19  | 9.16    | 9.29   | 25.38 | 15.24 | 24.98 | 24.98 | 5.74     | 6.2       | 7.19          | 6.19    | 6.19   | 4.13 | 53        | 32      | 40     | 23      | 23     | 85         | 93     | 76      | 76     |
| 10SV-10          |       |            |         |        | 26.64           | 10.66   | 11.19  | 9.16    | 9.29   | 26.64 | 16.50 | 26.24 | 26.24 | 5.74     | 6.2       | 7.19          | 6.19    | 6.19   | 4.13 | 56        | 32      | 40     | 23      | 23     | 88         | 96     | 79      | 79     |
| 10SV-11          |       |            |         |        | 27.90           | 10.67   | 11.19  | 10.66   | 9.91   | 27.90 | 17.76 | 27.50 | 27.50 | 5.74     | 6.2       | 7.19          | 6.19    | 6.19   | 4.72 | 58        | 32      | 40     | 30      | 28     | 90         | 98     | 88      | 86     |
| 10SV-12          |       |            |         |        | 28.37           | 10.67   | 11.19  | 10.66   | 9.91   | 28.37 | 19.02 | 27.98 | 27.98 | 5.74     | 6.2       | 7.19          | 6.19    | 6.19   | 4.72 | 60        | 32      | 40     | 30      | 28     | 92         | 100    | 90      | 88     |
| 10SV-13          |       |            |         |        | 30.44           | 10.67   | 11.19  | 10.66   | 9.91   | 30.44 | 20.28 | 30.04 | 30.04 | 5.74     | 6.2       | 7.19          | 6.19    | 6.19   | 4.72 | 65        | 32      | 40     | 30      | 28     | 97         | 105    | 95      | 93     |
| 10SV-14          |       |            |         |        | 31.78           | 10.67   | 11.19  | 10.66   | 9.91   | 31.78 | 21.54 | 31.38 | 31.38 | 5.74     | 6.2       | 7.19          | 6.19    | 6.19   | 4.72 | 67        | 32      | 40     | 30      | 28     | 99         | 107    | 97      | 95     |
| 10SV-15          |       |            |         |        | 32.96           | 11.18   | 12.06  | 11.16   | 10.79  | 32.96 | 22.80 | 32.56 | 32.56 | 5.74     | 7.19      | 7.19          | 6.19    | 6.19   | 4.72 | 69        | 43      | 51     | 32      | 33     | 112        | 120    | 101     | 102    |
| 10SV-16          |       |            |         |        | 34.22           | 11.18   | 12.06  | 11.16   | 10.79  | 34.22 | 24.06 | 33.82 | 33.82 | 5.74     | 7.19      | 7.19          | 6.19    | 6.19   | 4.72 | 71        | 43      | 51     | 32      | 33     | 114        | 122    | 103     | 104    |
| 10SV-17          |       |            |         |        | 35.48           | 11.18   | 12.06  | 11.16   | 10.79  | 35.48 | 25.31 | 35.08 | 35.08 | 5.74     | 7.19      | 7.19          | 6.19    | 6.19   | 4.72 | 73        | 43      | 51     | 32      | 33     | 116        | 124    | 105     | 106    |
| 10SV-18          |       |            |         |        | 36.74           | 11.18   | 12.06  | 11.16   | 10.79  | 36.74 | 26.57 | 36.34 | 36.34 | 5.74     | 7.19      | 7.19          | 6.19    | 6.19   | 4.72 | 75        | 43      | 51     | 32      | 33     | 118        | 126    | 107     | 108    |
| 10SV-19          |       |            |         |        | 38.08           | 11.18   | 12.06  | 11.16   | 10.79  | 38.08 | 27.83 | 37.68 | 37.68 | 5.74     | 7.19      | 7.19          | 6.19    | 6.19   | 4.72 | 77        | 43      | 51     | 32      | 33     | 120        | 128    | 109     | 110    |
| 10SV-20          |       | 3          |         |        | 39.26           | 11.57   | 13.44  | 11.18   | 11.16  | 39.26 | 29.09 | 38.86 | 38.86 | 5.75     | 6.5       | 7.19          | 7.16    | 7.19   | 5.51 | 79        | 49      | 64     | 41      | 44     | 128        | 143    | 120     | 123    |

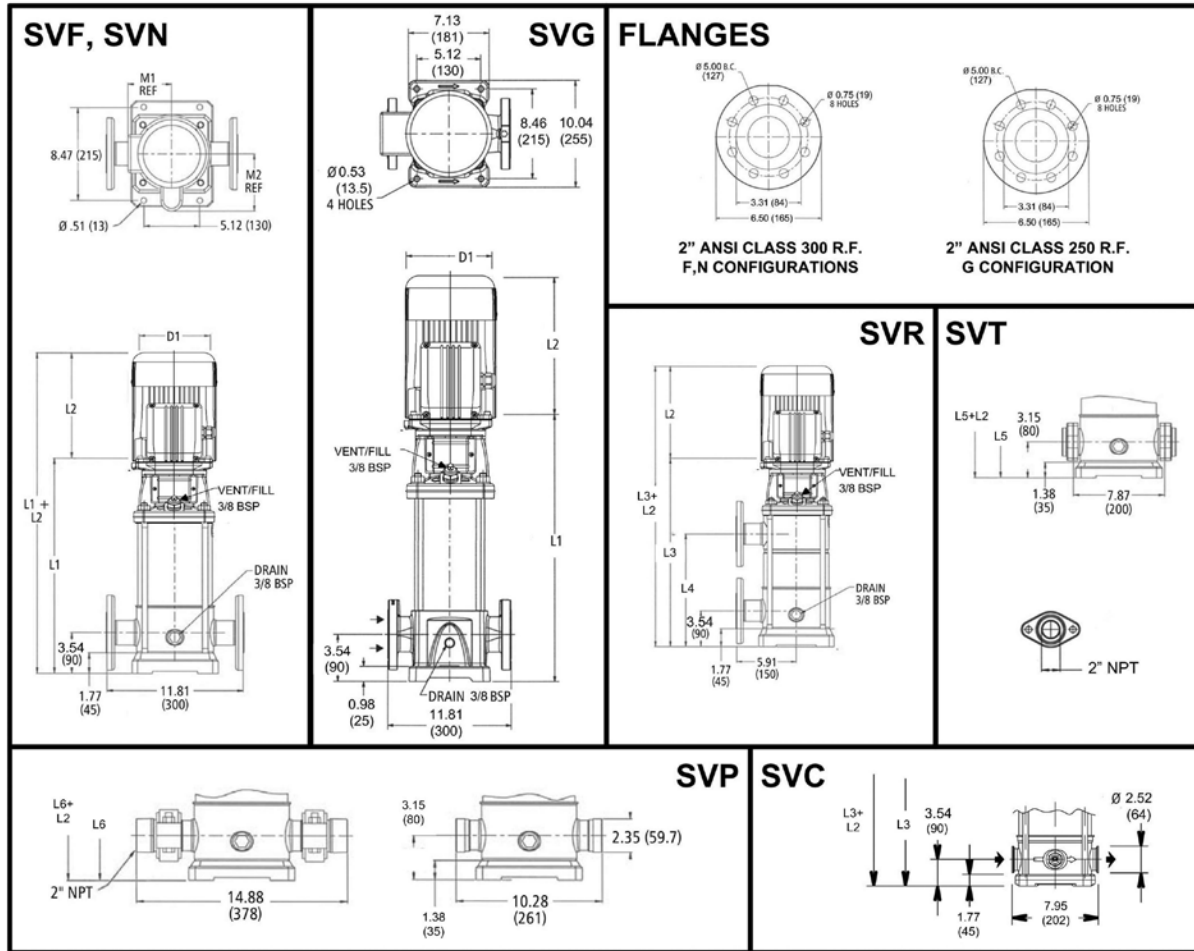
### Performance Curve

10SV 1750 RPM

60 Hz



**MINIMUM FLOW RATE: 5 GPM [1.4 m<sup>3</sup>/hr]**



All dimensions are in inches (mm).

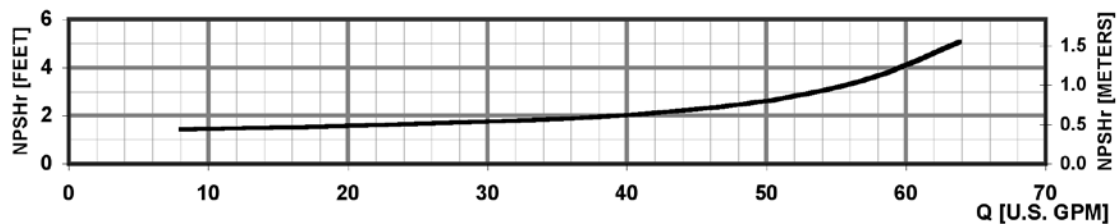
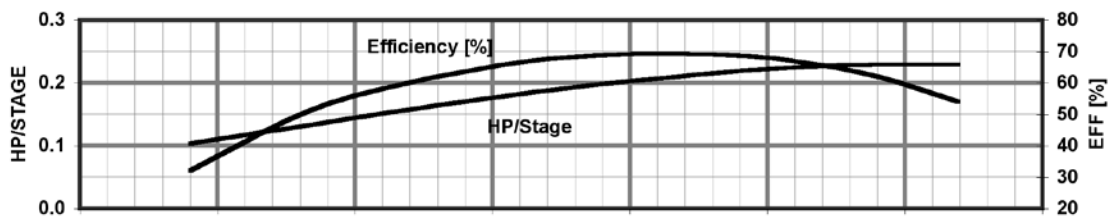
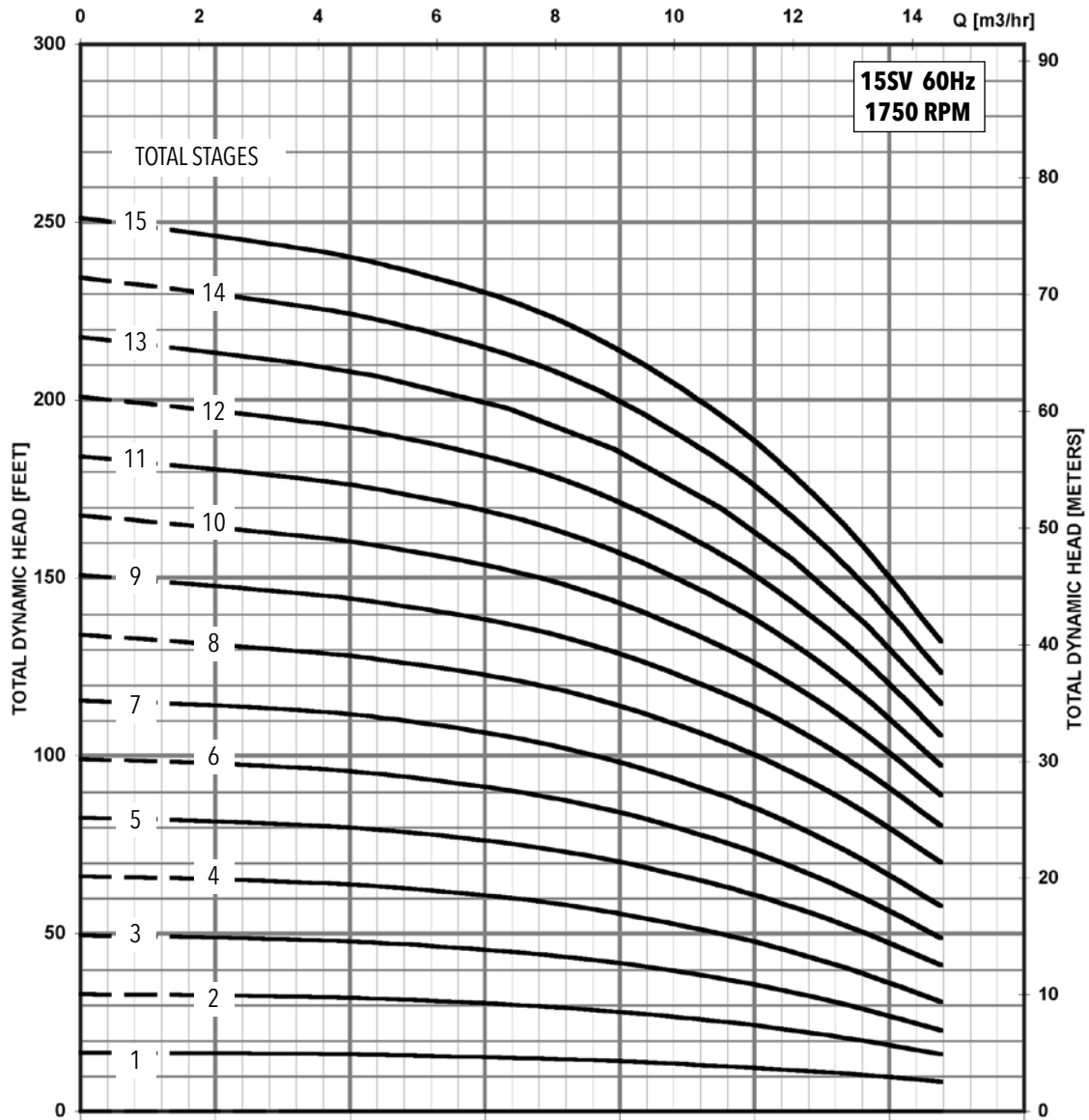
### 15SV SERIES – 60Hz, 1750 RPM ODP/TEFC Enclosures

| Pump Type Stages | HP   | Motor      |         |        |         | Dimensions (in) |        |         |        |         |       |       |       |      |          |           | Weight (lbs.) |        |         |    |           |        |         |        |         |            |         |        |         |
|------------------|------|------------|---------|--------|---------|-----------------|--------|---------|--------|---------|-------|-------|-------|------|----------|-----------|---------------|--------|---------|----|-----------|--------|---------|--------|---------|------------|---------|--------|---------|
|                  |      | NEMA Frame |         |        |         | L1              | L2     |         |        |         | L3    | L4    | L5    | L6   | M (Ref.) | D1 (max.) |               |        |         | D2 | Pump Only | Motor  |         |        |         | Pump/Motor |         |        |         |
|                  |      | ODP 1Ø     | TEFC 1Ø | ODP 3Ø | TEFC 3Ø |                 | ODP 1Ø | TEFC 1Ø | ODP 3Ø | TEFC 3Ø |       |       |       |      |          | ODP 1Ø    | TEFC 1Ø       | ODP 3Ø | TEFC 3Ø |    |           | ODP 1Ø | TEFC 1Ø | ODP 3Ø | TEFC 3Ø | ODP 1Ø     | TEFC 1Ø | ODP 3Ø | TEFC 3Ø |
| 15SV-01          | 0.5  | 56C        |         |        | 18.61   | 9.16            | 9.29   | 9.16    | 9.29   | -       | -     | 18.21 | 18.21 | 5.19 | 6.19     | 6.19      | 6.19          | 6.19   | 4.13    | 38 | 21        | 21     | 19      | 19     | 59      | 59         | 57      | 57     |         |
| 15SV-02          |      |            |         |        | 18.21   | 9.16            | 9.29   | 9.16    | 9.29   | -       | -     | 17.82 | 17.82 | 5.19 | 6.19     | 6.19      | 6.19          | 6.19   | 4.13    | 41 | 21        | 21     | 19      | 19     | 62      | 62         | 60      | 60     |         |
| 15SV-03          | 0.75 |            | 20.10   | 10.79  | 9.91    | 9.16            | 9.29   | -       | -      | 19.71   | 19.71 | 5.19  | 6.19  | 6.19 | 6.19     | 6.19      | 4.13          | 44     | 27      | 29 | 21        | 21     | 71      | 73     | 65      | 65         |         |        |         |
| 15SV-04          |      |            | 21.99   | 10.66  | 11.19   | 9.16            | 9.29   | 21.99   | 11.85  | 21.60   | 21.60 | 5.74  | 6.19  | 7.19 | 6.19     | 6.19      | 4.13          | 47     | 32      | 40 | 23        | 23     | 79      | 87     | 70      | 70         |         |        |         |
| 15SV-05          | 1    |            | 23.88   | 10.66  | 11.19   | 9.16            | 9.29   | 23.88   | 13.74  | 23.49   | 23.49 | 5.74  | 6.19  | 7.19 | 6.19     | 6.19      | 4.13          | 49     | 32      | 40 | 23        | 23     | 81      | 89     | 72      | 72         |         |        |         |
| 15SV-06          |      |            | 25.79   | 10.67  | 11.19   | 10.66           | 9.91   | 25.79   | 15.63  | 25.40   | 25.40 | 5.74  | 6.19  | 7.19 | 6.19     | 6.19      | 4.72          | 56     | 32      | 40 | 30        | 28     | 88      | 96     | 86      | 84         |         |        |         |
| 15SV-07          | 1.5  |            | 27.68   | 10.67  | 11.19   | 10.66           | 9.91   | 27.68   | 17.52  | 27.29   | 27.29 | 5.74  | 6.19  | 7.19 | 6.19     | 6.19      | 4.72          | 59     | 32      | 40 | 30        | 28     | 91      | 99     | 89      | 87         |         |        |         |
| 15SV-08          |      |            | 29.57   | 11.18  | 12.06   | 11.16           | 10.79  | 29.57   | 19.41  | 29.18   | 29.18 | 5.74  | 7.19  | 7.19 | 6.19     | 6.19      | 4.72          | 61     | 43      | 51 | 32        | 33     | 104     | 112    | 93      | 94         |         |        |         |
| 15SV-09          | 2    |            | 31.46   | 11.18  | 12.06   | 11.16           | 10.79  | 31.46   | 21.30  | 31.07   | 31.07 | 5.74  | 7.19  | 7.19 | 6.19     | 6.19      | 4.72          | 64     | 43      | 51 | 32        | 33     | 107     | 115    | 96      | 97         |         |        |         |
| 15SV-10          |      |            | 33.35   | 11.57  | 13.44   | 11.18           | 11.16  | 33.35   | 23.19  | 32.96   | 32.96 | 5.75  | 6.50  | 7.19 | 7.16     | 7.19      | 5.51          | 68     | 49      | 64 | 41        | 44     | 117     | 132    | 109     | 112        |         |        |         |
| 15SV-11          | 3    |            | 35.24   | 11.57  | 13.44   | 11.18           | 11.16  | 35.24   | 25.08  | 34.85   | 34.85 | 5.75  | 6.50  | 7.19 | 7.16     | 7.19      | 5.51          | 71     | 49      | 64 | 41        | 44     | 120     | 135    | 112     | 115        |         |        |         |
| 15SV-12          |      |            | 37.13   | 11.57  | 13.44   | 11.18           | 11.16  | 37.13   | 26.97  | 36.74   | 36.74 | 5.75  | 6.50  | 7.19 | 7.16     | 7.19      | 5.51          | 74     | 49      | 64 | 41        | 44     | 123     | 138    | 115     | 118        |         |        |         |
| 15SV-13          |      |            | 39.02   | 11.57  | 13.44   | 11.18           | 11.16  | 39.02   | 28.86  | 38.63   | 38.63 | 5.75  | 6.50  | 7.19 | 7.16     | 7.19      | 5.51          | 77     | 49      | 64 | 41        | 44     | 126     | 141    | 118     | 121        |         |        |         |
| 15SV-14          |      |            | 40.91   | 11.57  | 13.44   | 11.18           | 11.16  | 40.91   | 30.75  | 40.52   | 40.52 | 5.75  | 6.50  | 7.19 | 7.16     | 7.19      | 5.51          | 80     | 49      | 64 | 41        | 44     | 129     | 144    | 121     | 124        |         |        |         |
| 15SV-15          | 5    | 184TC      | 182TC   | 184TC  | 43.30   | 13.93           | 15.43  | 12.55   | 13.93  | 43.30   | 32.64 | 42.91 | 42.91 | 6.87 | 8.88     | 8.86      | 9.02          | 8.86   | 5.51    | 86 | 81        | 92     | 62      | 69     | 167     | 178        | 148     | 155    |         |

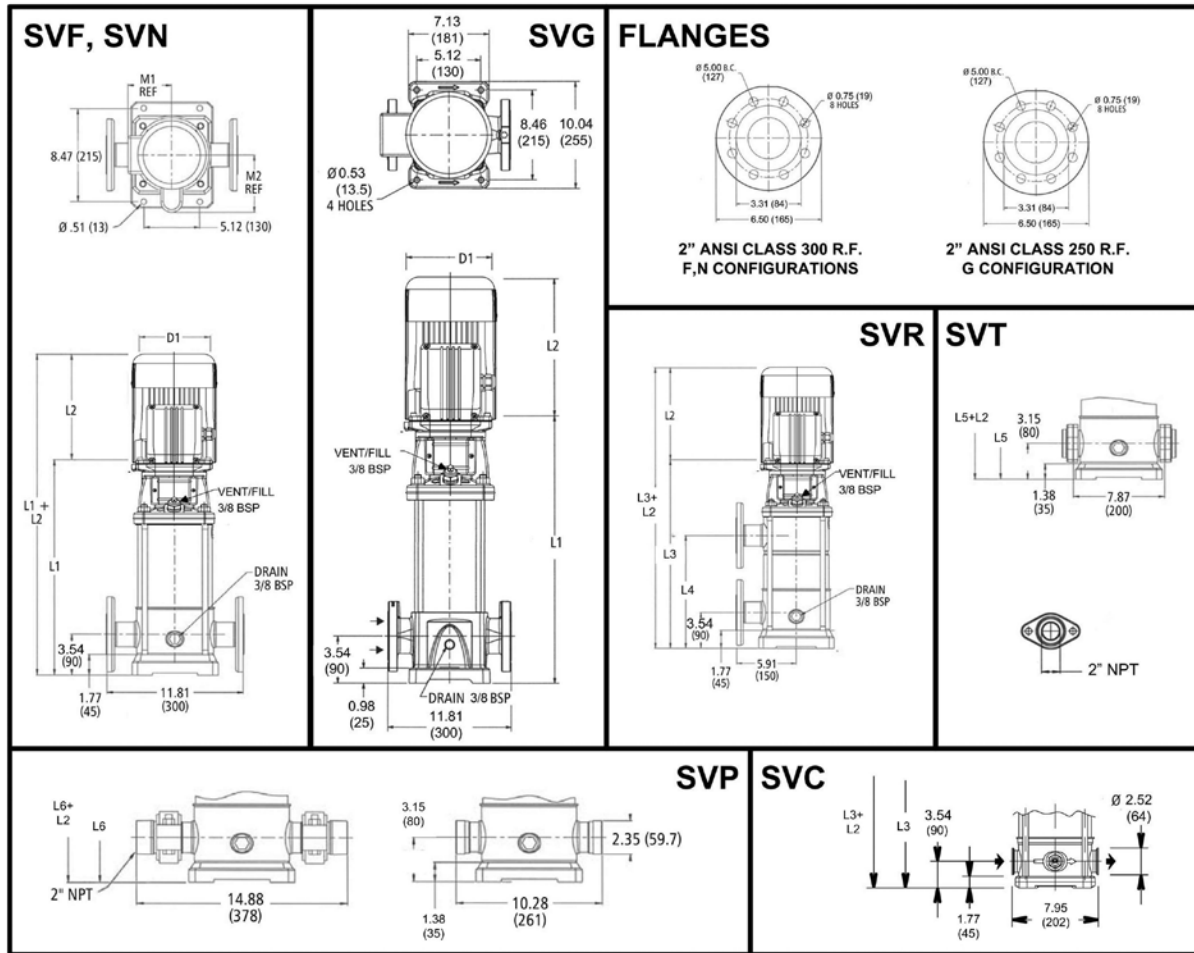
### Performance Curve

### 15SV 1750 RPM

60 Hz



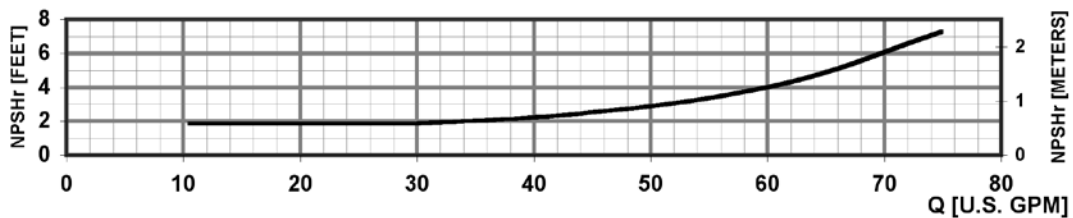
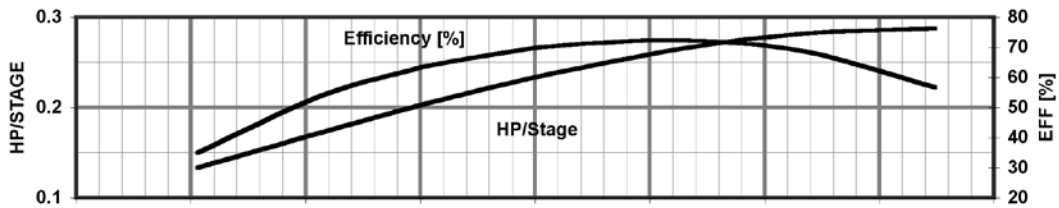
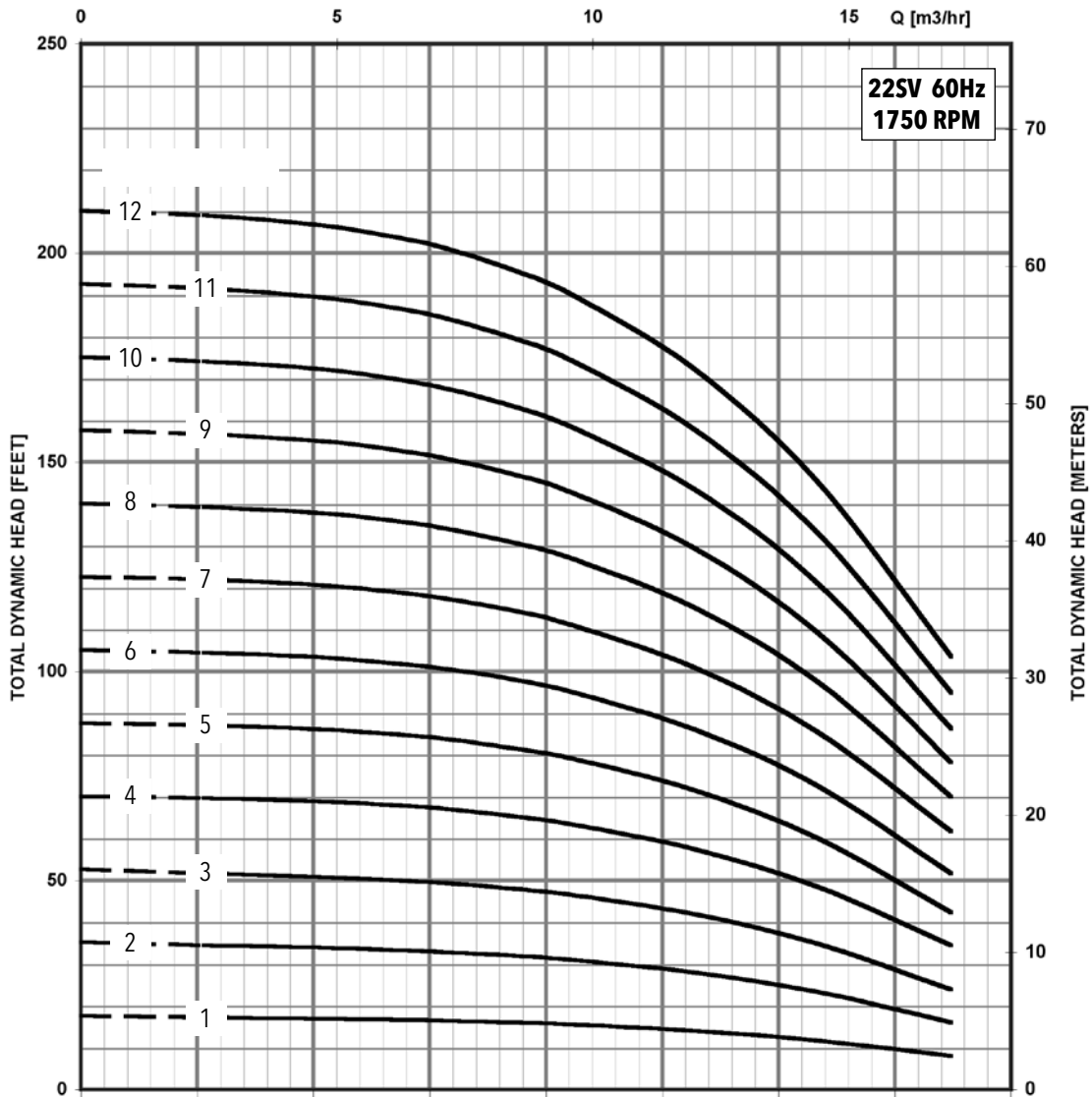
**MINIMUM FLOW RATE: 8 GPM [2 m<sup>3</sup>/hr]**



All dimensions are in inches (mm).

### 22SV SERIES – 60Hz, 1750 RPM ODP/TEFC Enclosures

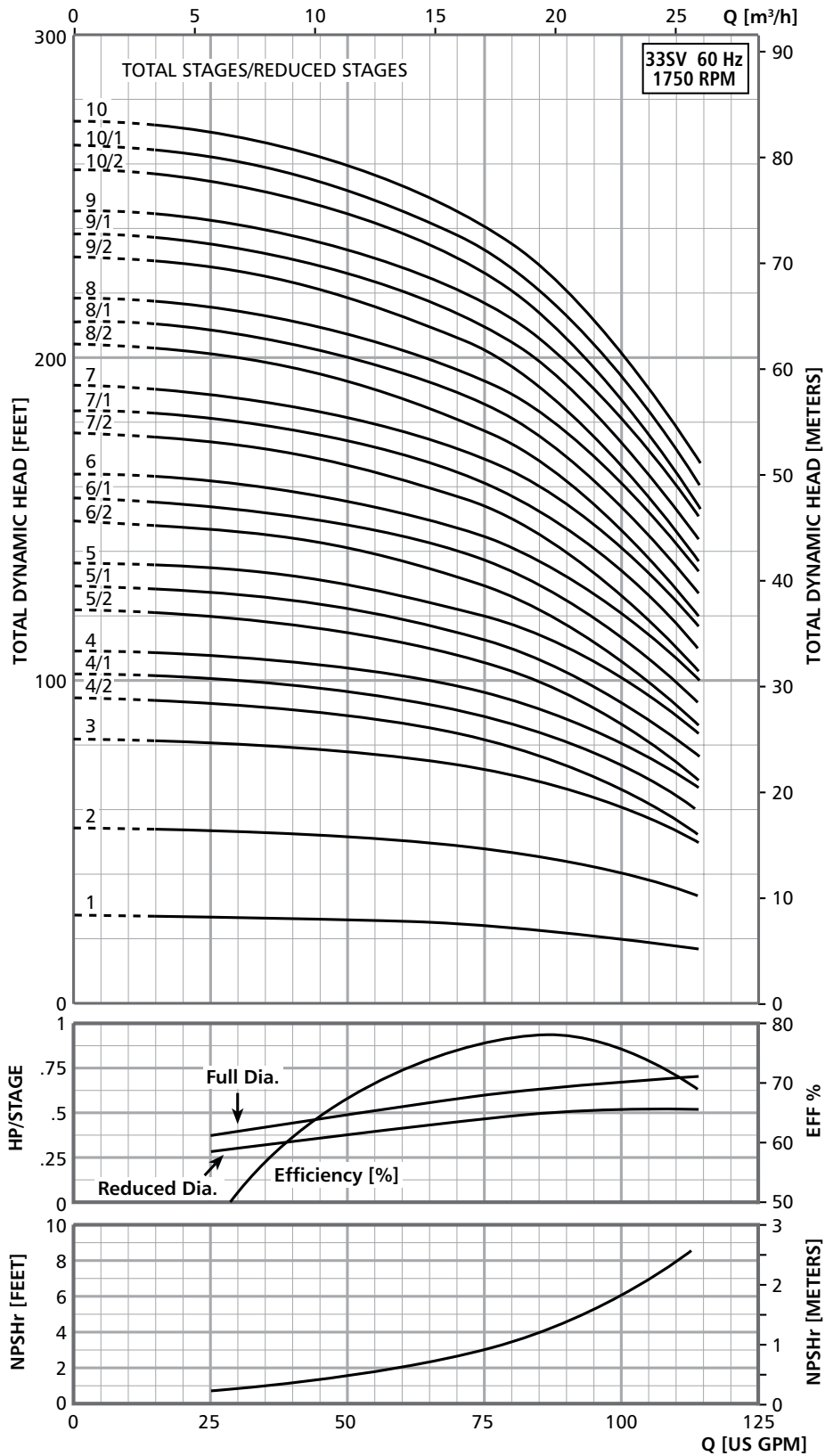
| Pump Type Stages | HP   | Motor      |         |        |         | Dimensions (in) |        |         |        |         |       |       |       |       |          |           |         |        | Weight (lbs.) |      |           |        |         |        |         |            |         |        |         |
|------------------|------|------------|---------|--------|---------|-----------------|--------|---------|--------|---------|-------|-------|-------|-------|----------|-----------|---------|--------|---------------|------|-----------|--------|---------|--------|---------|------------|---------|--------|---------|
|                  |      | NEMA Frame |         |        |         | L1              | L2     |         |        |         | L3    | L4    | L5    | L6    | M (Ref.) | D1 (max.) |         |        |               | D2   | Pump Only | Motor  |         |        |         | Pump/Motor |         |        |         |
|                  |      | ODP 1Ø     | TEFC 1Ø | ODP 3Ø | TEFC 3Ø |                 | ODP 1Ø | TEFC 1Ø | ODP 3Ø | TEFC 3Ø |       |       |       |       |          | ODP 1Ø    | TEFC 1Ø | ODP 3Ø | TEFC 3Ø       |      |           | ODP 1Ø | TEFC 1Ø | ODP 3Ø | TEFC 3Ø | ODP 1Ø     | TEFC 1Ø | ODP 3Ø | TEFC 3Ø |
| 22SV01           | 0.5  | 56C        | 18.41   | 9.16   | 9.29    | 9.16            | 9.29   | -       | -      | 18.21   | 18.21 | 5.19  | 6.19  | 6.19  | 6.19     | 6.19      | 4.13    | 39     | 21            | 21   | 19        | 19     | 60      | 60     | 58      | 58         |         |        |         |
| 22SV02           |      |            | 18.21   | 9.16   | 9.29    | 9.16            | 9.29   | -       | -      | 17.82   | 17.82 | 5.19  | 6.19  | 6.19  | 6.19     | 6.19      | 4.13    | 42     | 21            | 21   | 19        | 19     | 63      | 63     | 61      | 61         |         |        |         |
| 22SV03           | 0.75 |            | 20.10   | 10.79  | 9.91    | 9.16            | 9.29   | -       | -      | 19.71   | 19.71 | 5.19  | 6.19  | 6.19  | 6.19     | 6.19      | 4.13    | 45     | 27            | 29   | 21        | 21     | 72      | 74     | 66      | 66         |         |        |         |
| 22SV04           | 1.5  |            | 21.99   | 10.67  | 11.19   | 10.66           | 9.91   | 21.99   | 11.85  | 21.60   | 21.60 | 5.74  | 6.19  | 7.19  | 6.19     | 6.19      | 4.72    | 48     | 32            | 40   | 30        | 28     | 80      | 88     | 78      | 76         |         |        |         |
| 22SV05           |      |            | 23.90   | 10.67  | 11.19   | 10.66           | 9.91   | 23.90   | 13.74  | 23.51   | 23.51 | 5.74  | 6.19  | 7.19  | 6.19     | 6.19      | 4.72    | 51     | 32            | 40   | 30        | 28     | 83      | 91     | 81      | 79         |         |        |         |
| 22SV06           | 2    |            | 25.79   | 11.18  | 12.06   | 11.16           | 10.79  | 25.79   | 15.63  | 25.40   | 25.40 | 5.74  | 7.19  | 7.19  | 6.19     | 6.19      | 4.72    | 54     | 43            | 51   | 32        | 33     | 97      | 105    | 86      | 87         |         |        |         |
| 22SV07           |      |            | 27.68   | 11.18  | 12.06   | 11.16           | 10.79  | 27.68   | 17.52  | 27.29   | 27.29 | 5.74  | 7.19  | 7.19  | 6.19     | 6.19      | 4.72    | 57     | 43            | 51   | 32        | 33     | 100     | 108    | 89      | 90         |         |        |         |
| 22SV08           | 3    |            | 29.57   | 11.57  | 13.44   | 11.18           | 11.16  | 29.57   | 19.41  | 29.18   | 29.18 | 5.75  | 6.50  | 7.19  | 7.16     | 7.19      | 5.51    | 60     | 49            | 64   | 41        | 44     | 109     | 124    | 101     | 104        |         |        |         |
| 22SV09           |      |            | 31.46   | 11.57  | 13.44   | 11.18           | 11.16  | 31.46   | 21.30  | 31.07   | 31.07 | 5.75  | 6.50  | 7.19  | 7.16     | 7.19      | 5.51    | 62     | 49            | 64   | 41        | 44     | 111     | 126    | 103     | 106        |         |        |         |
| 22SV10           | 3    |            | 33.35   | 11.57  | 13.44   | 11.18           | 11.16  | 33.35   | 23.19  | 32.96   | 32.96 | 5.75  | 6.50  | 7.19  | 7.16     | 7.19      | 5.51    | 66     | 49            | 64   | 41        | 44     | 115     | 130    | 107     | 110        |         |        |         |
| 22SV11           |      |            | 35.24   | 11.57  | 13.44   | 11.18           | 11.16  | 35.24   | 25.08  | 34.85   | 34.85 | 5.75  | 6.50  | 7.19  | 7.16     | 7.19      | 5.51    | 69     | 49            | 64   | 41        | 44     | 118     | 133    | 110     | 113        |         |        |         |
| 22SV12           | 5    |            | 184TC   | 182TC  | 184TC   | 37.63           | 13.93  | 15.43   | 12.55  | 13.93   | 37.63 | 26.97 | 37.24 | 37.24 | 6.87     | 8.88      | 8.86    | 9.02   | 8.86          | 5.51 | 75        | 81     | 92      | 62     | 69      | 156        | 167     | 137    | 144     |



**MINIMUM FLOW RATE: 11 GPM [2.5 m³/hr]**





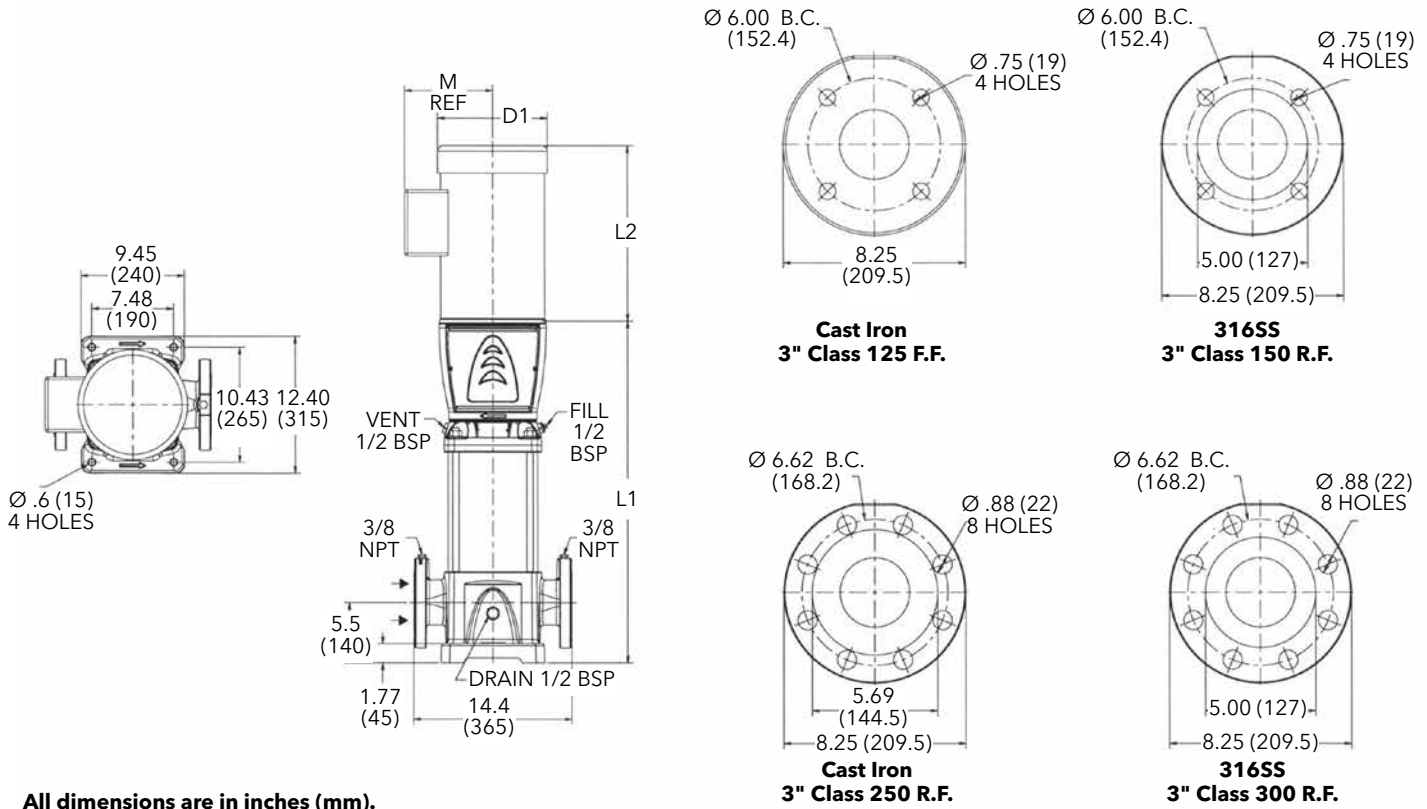


**MINIMUM FLOW RATE: 18 GPM [4 m<sup>3</sup>/hr]**

### Dimensions and Weights

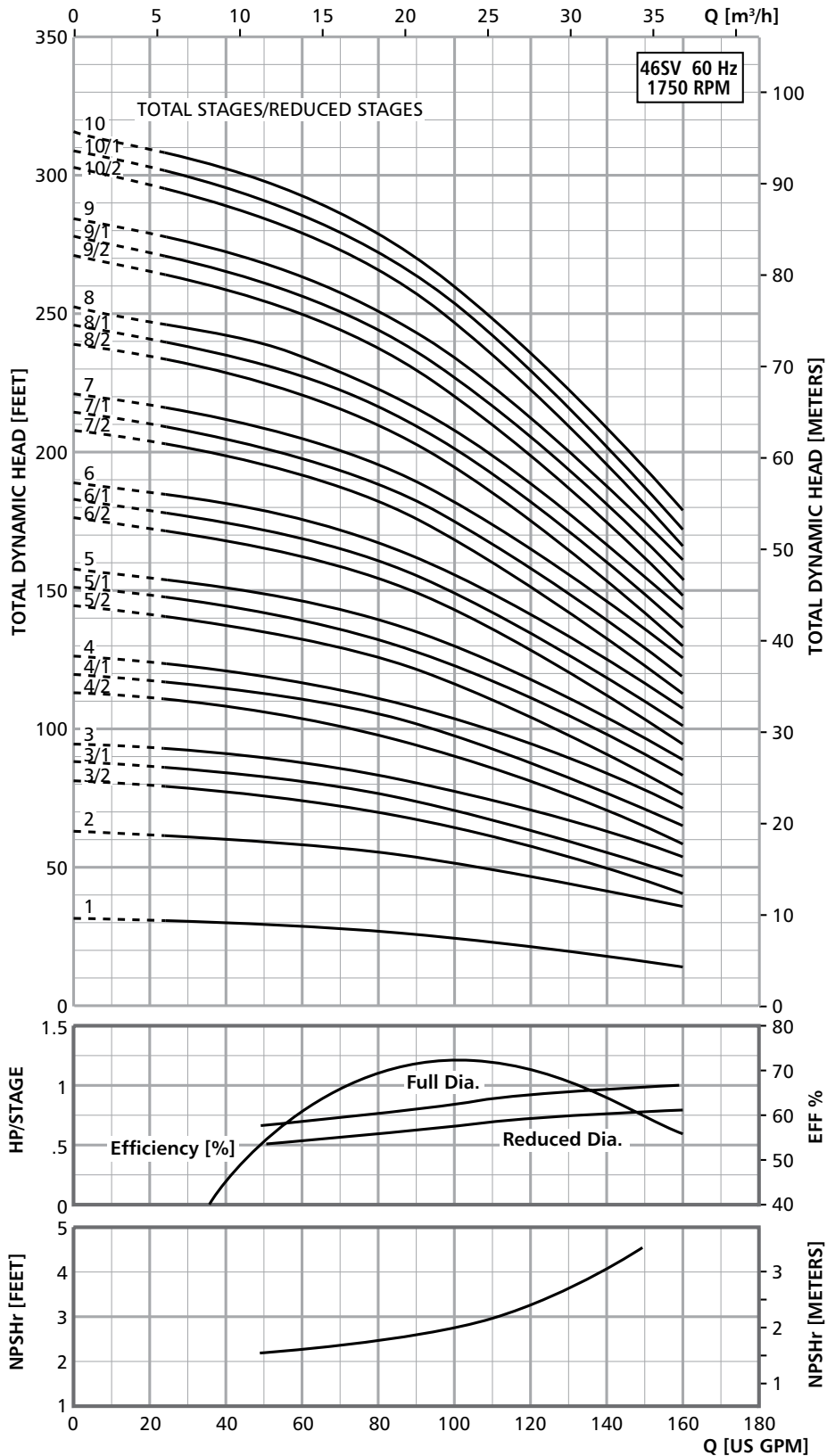
### 46SV Series 1750 RPM

60 Hz



### 46SV SERIES – 60Hz, 1750 RPM ODP/TEFC Enclosures

| Pump Type Stages | Motor |            |         |                 | Dimensions (in) |         |        |                 |                 |                 |                 |                 |                 |                 | Weight (lbs.)   |           |                 |        |         |        |            |        |         |        |         |  |
|------------------|-------|------------|---------|-----------------|-----------------|---------|--------|-----------------|-----------------|-----------------|-----------------|-----------------|-----------------|-----------------|-----------------|-----------|-----------------|--------|---------|--------|------------|--------|---------|--------|---------|--|
|                  | HP    | NEMA Frame |         |                 | L1              | L2      |        |                 |                 | M (Ref.)        | D1 (max.)       |                 |                 |                 | D2              | Pump Only | Motor           |        |         |        | Pump/Motor |        |         |        |         |  |
|                  |       | ODP 1Ø     | TEFC 1Ø | ODP 3Ø          |                 | TEFC 3Ø | ODP 1Ø | TEFC 1Ø         | ODP 3Ø          |                 | TEFC 3Ø         | ODP 1Ø          | TEFC 1Ø         | ODP 3Ø          |                 |           | TEFC 3Ø         | ODP 1Ø | TEFC 1Ø | ODP 3Ø | TEFC 3Ø    | ODP 1Ø | TEFC 1Ø | ODP 3Ø | TEFC 3Ø |  |
| 46SV-1           | 1.5   | -          | -       | CONTACT FACTORY | 22.19           | -       | -      | CONTACT FACTORY | CONTACT FACTORY | CONTACT FACTORY | CONTACT FACTORY | CONTACT FACTORY | CONTACT FACTORY | CONTACT FACTORY | CONTACT FACTORY | 147       | CONTACT FACTORY |        |         |        |            |        |         |        |         |  |
| 46SV-2/2         | -     | -          | -       |                 | 25.19           | -       | -      |                 |                 |                 |                 |                 |                 |                 |                 | 158       |                 |        |         |        |            |        |         |        |         |  |
| 46SV-2/1         | 2     | -          | -       |                 | 25.19           | -       | -      |                 |                 |                 |                 |                 |                 |                 |                 | 158       |                 |        |         |        |            |        |         |        |         |  |
| 46SV-2           | -     | -          | -       |                 | 25.19           | -       | -      |                 |                 |                 |                 |                 |                 |                 |                 | 158       |                 |        |         |        |            |        |         |        |         |  |
| 46SV-3/2         | -     | -          | 182TC   | 27.12           | -               | -       | 13.94  | 15.44           | 6.88            | -               | -               | 8.50            | 8.50            | 5.51            | 169             | -         | -               | 61     | 62      | -      | -          | 230    | 231     |        |         |  |
| 46SV-3/1         | 3     | -          |         | -               | 27.12           | -       | -      | 13.94           | 15.44           | 6.88            | -               | -               | 8.50            | 8.50            | 5.51            | 169       | -               | -      | 61      | 62     | -          | -      | 230     | 231    |         |  |
| 46SV-3           | -     | -          |         | -               | 27.12           | -       | -      | 13.94           | 15.44           | 6.88            | -               | -               | 8.50            | 8.50            | 5.51            | 169       | -               | -      | 61      | 62     | -          | -      | 230     | 231    |         |  |
| 46SV-4/2         | -     | -          | 184TC   | 31.63           | -               | -       | 13.94  | 15.44           | 6.88            | -               | -               | 8.50            | 8.50            | 5.51            | 192             | -         | -               | 68     | 75      | -      | -          | 260    | 267     |        |         |  |
| 46SV-4/1         | -     | -          |         | 31.63           | -               | -       | 13.94  | 15.44           | 6.88            | -               | -               | 8.50            | 8.50            | 5.51            | 192             | -         | -               | 68     | 75      | -      | -          | 260    | 267     |        |         |  |
| 46SV-4           | -     | -          |         | 31.63           | -               | -       | 13.94  | 15.44           | 6.88            | -               | -               | 8.50            | 8.50            | 5.51            | 192             | -         | -               | 68     | 75      | -      | -          | 260    | 267     |        |         |  |
| 46SV-5/2         | 5     | -          |         | -               | 35.56           | -       | -      | 13.94           | 15.44           | 6.88            | -               | -               | 8.50            | 8.50            | 5.51            | 199       | -               | -      | 68      | 75     | -          | -      | 267     | 274    |         |  |
| 46SV-5/1         | -     | -          |         | -               | 35.56           | -       | -      | 13.94           | 15.44           | 6.88            | -               | -               | 8.50            | 8.50            | 5.51            | 199       | -               | -      | 68      | 75     | -          | -      | 267     | 274    |         |  |
| 46SV-5           | -     | -          |         | -               | 35.56           | -       | -      | 13.94           | 15.44           | 6.88            | -               | -               | 8.50            | 8.50            | 5.51            | 199       | -               | -      | 68      | 75     | -          | -      | 267     | 274    |         |  |
| 46SV-6/2         | -     | -          |         | -               | 37.50           | -       | -      | 15.56           | 15.50           | 8.06            | -               | -               | 10.19           | 10.25           | 5.51            | 208       | -               | -      | 68      | 75     | -          | -      | 276     | 283    |         |  |
| 46SV-6/1         | -     | -          |         | -               | 37.50           | -       | -      | 15.56           | 15.50           | 8.06            | -               | -               | 10.19           | 10.25           | 5.51            | 208       | -               | -      | 122     | 125    | -          | -      | 330     | 333    |         |  |
| 46SV-6           | -     | -          |         | -               | 37.50           | -       | -      | 15.56           | 15.50           | 8.06            | -               | -               | 10.19           | 10.25           | 5.51            | 208       | -               | -      | 122     | 125    | -          | -      | 330     | 333    |         |  |
| 46SV-7/2         | -     | -          |         | 213TC           | 39.94           | -       | -      | 15.56           | 15.50           | 8.06            | -               | -               | 10.19           | 10.25           | 5.51            | 233       | -               | -      | 122     | 125    | -          | -      | 355     | 358    |         |  |
| 46SV-7/1         | 7.5   | -          | -       |                 | 39.94           | -       | -      | 15.56           | 15.50           | 8.06            | -               | -               | 10.19           | 10.25           | 5.51            | 233       | -               | -      | 122     | 125    | -          | -      | 355     | 358    |         |  |
| 46SV-7           | -     | -          | -       |                 | 39.94           | -       | -      | 15.56           | 15.50           | 8.06            | -               | -               | 10.19           | 10.25           | 5.51            | 233       | -               | -      | 122     | 125    | -          | -      | 355     | 358    |         |  |
| 46SV-8/2         | -     | -          | -       |                 | 42.94           | -       | -      | 15.56           | 15.50           | 8.06            | -               | -               | 10.19           | 10.25           | 5.51            | 242       | -               | -      | 122     | 125    | -          | -      | 364     | 367    |         |  |
| 46SV-8/1         | -     | -          | -       |                 | 42.94           | -       | -      | 15.56           | 15.50           | 8.06            | -               | -               | 10.19           | 10.25           | 5.51            | 242       | -               | -      | 122     | 125    | -          | -      | 364     | 367    |         |  |
| 46SV-8           | -     | -          | -       |                 | 42.94           | -       | -      | 15.56           | 15.50           | 8.06            | -               | -               | 10.19           | 10.25           | 5.51            | 242       | -               | -      | 122     | 125    | -          | -      | 364     | 367    |         |  |
| 46SV-9/2         | 10    | -          | -       |                 | 45.88           | -       | -      | 15.56           | 15.50           | 8.06            | -               | -               | 10.19           | 10.25           | 5.51            | 253       | -               | -      | 125     | 129    | -          | -      | 378     | 382    |         |  |
| 46SV-9/1         | -     | -          | 215TC   |                 | 45.88           | -       | -      | 15.56           | 15.50           | 8.06            | -               | -               | 10.19           | 10.25           | 5.51            | 253       | -               | -      | 125     | 129    | -          | -      | 378     | 382    |         |  |
| 46SV-9           | -     | -          |         | -               | 45.88           | -       | -      | 15.56           | 15.50           | 8.06            | -               | -               | 10.19           | 10.25           | 5.51            | 253       | -               | -      | 125     | 129    | -          | -      | 378     | 382    |         |  |
| 46SV-10/2        | -     | -          | -       | 48.12           | -               | -       | 15.56  | 15.50           | 8.06            | -               | -               | 10.19           | 10.25           | 5.51            | 164             | -         | -               | 125    | 129     | -      | -          | 289    | 293     |        |         |  |

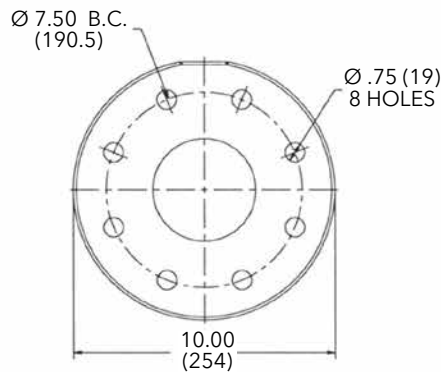
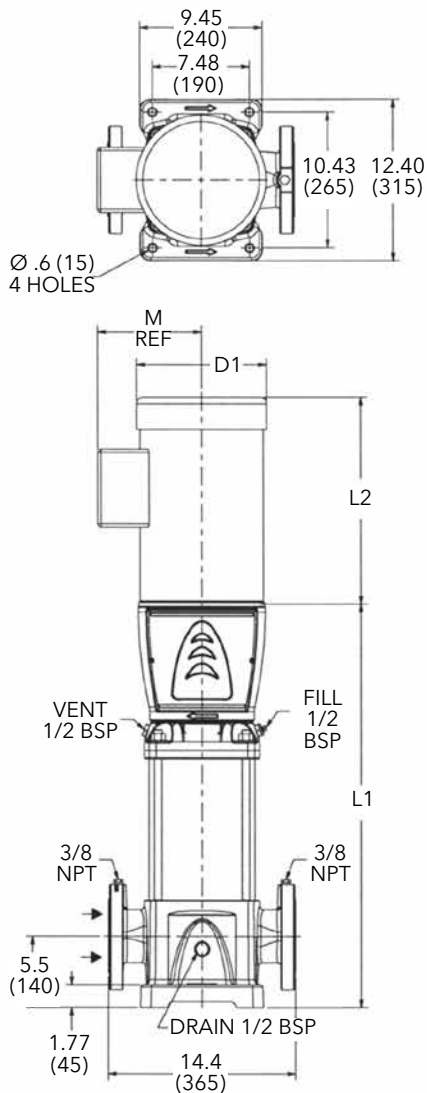


**MINIMUM FLOW RATE: 20 GPM [5 m<sup>3</sup>/hr]**

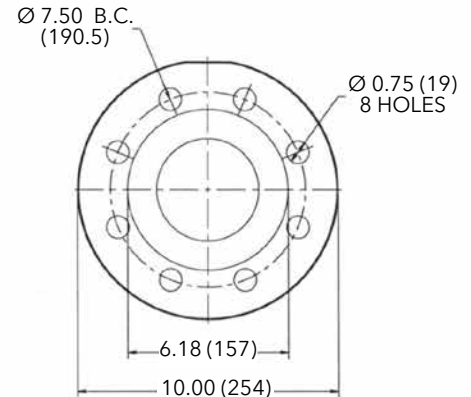
### Dimensions and Weights

### 66SV Series 1750 RPM

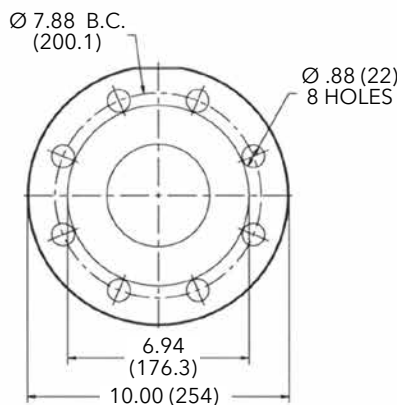
60 Hz



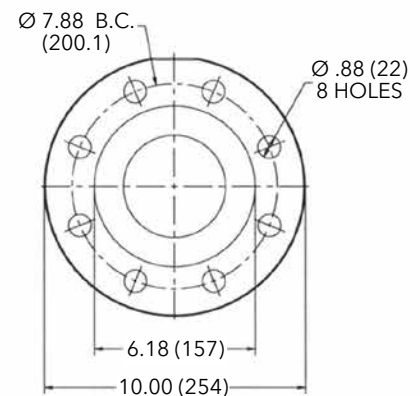
**Cast Iron  
4" Class 125 F.F.**



**316SS  
4" Class 150 R.F.**



**Cast Iron  
4" Class 250 R.F.**

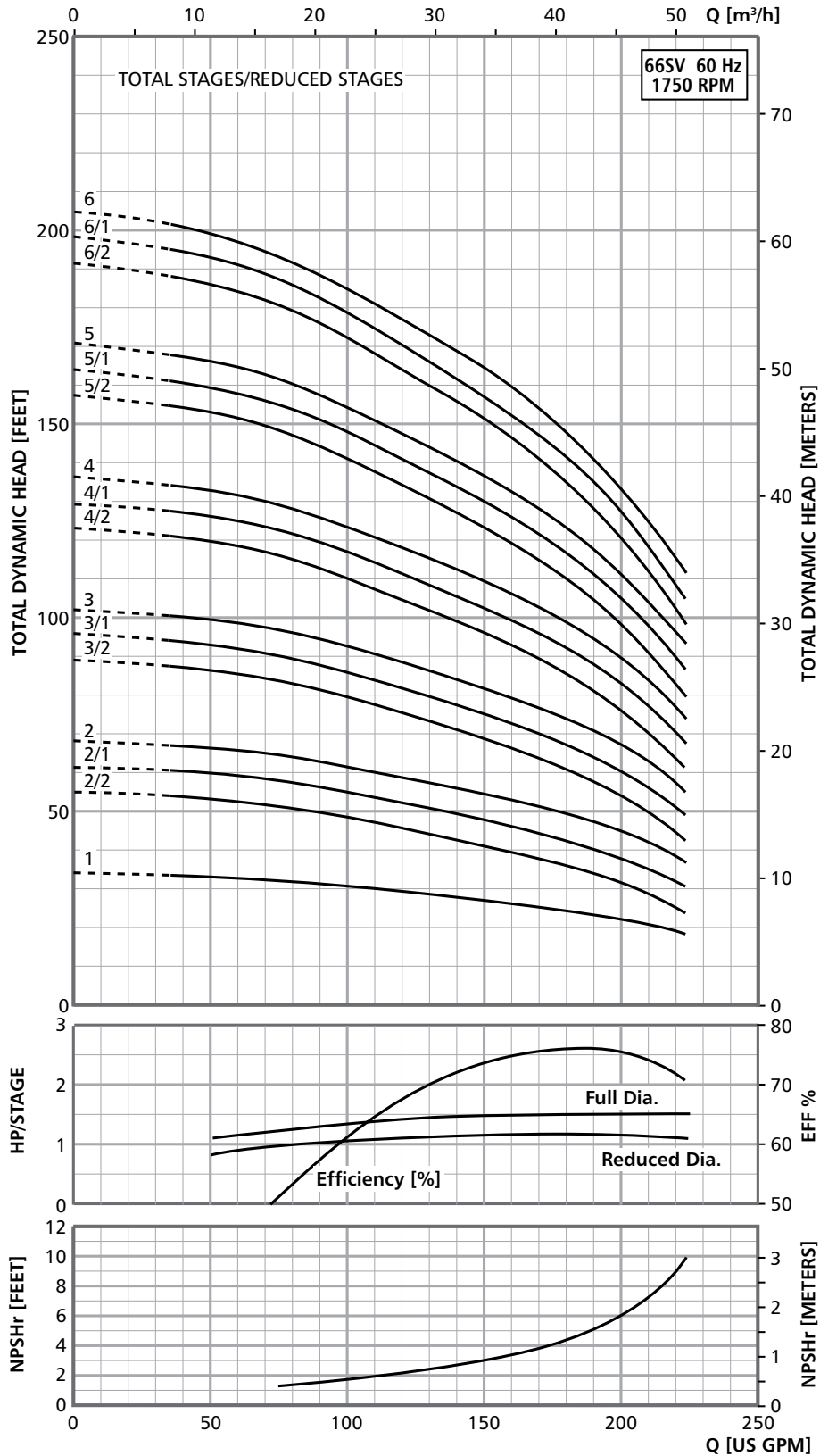


**316SS  
4" Class 300 R.F.**

All dimensions are in inches (mm).

### 66SV SERIES – 60Hz, 1750 RPM ODP/TEFC Enclosures

| Pump Type Stages | Motor |                 |         |        | Dimensions (in) |                 |        |         |        |          |                 |        |         | Weight (lbs.) |      |           |                 |        |         |        |            |   |     |     |
|------------------|-------|-----------------|---------|--------|-----------------|-----------------|--------|---------|--------|----------|-----------------|--------|---------|---------------|------|-----------|-----------------|--------|---------|--------|------------|---|-----|-----|
|                  | HP    | NEMA Frame      |         |        | L1              | L2              |        |         |        | M (Ref.) | D1 (max.)       |        |         |               | D2   | Pump Only | Motor           |        |         |        | Pump/Motor |   |     |     |
|                  |       | ODP 1Ø          | TEFC 1Ø | ODP 3Ø |                 | TEFC 3Ø         | ODP 1Ø | TEFC 1Ø | ODP 3Ø |          | TEFC 3Ø         | ODP 1Ø | TEFC 1Ø | ODP 3Ø        |      |           | TEFC 3Ø         | ODP 1Ø | TEFC 1Ø | ODP 3Ø | TEFC 3Ø    |   |     |     |
| 66SV-1           |       | CONTACT FACTORY |         |        | 23.19           | CONTACT FACTORY |        |         |        |          | CONTACT FACTORY |        |         |               |      | 185       | CONTACT FACTORY |        |         |        |            |   |     |     |
| 66SV-2/2         | 3     | -               | -       | 182TC  | 26.75           | -               | -      | 13.94   | 15.44  | 6.88     | -               | -      | 8.50    | 8.50          | 5.51 | 196       | -               | -      | 61      | 62     | -          | - | 257 | 258 |
| 66SV-2/1         |       | -               | -       |        | 26.75           | -               | -      | 13.94   | 15.44  | 6.88     | -               | -      | 8.50    | 8.50          | 5.51 | 196       | -               | -      | 61      | 62     | -          | - | 257 | 258 |
| 66SV-2           |       | -               | -       |        | 26.75           | -               | -      | 13.94   | 15.44  | 6.88     | -               | -      | 8.50    | 8.50          | 5.51 | 196       | -               | -      | 61      | 62     | -          | - | 257 | 258 |
| 66SV-3/2         | 5     | -               | -       | 184TC  | 30.81           | -               | -      | 13.94   | 15.44  | 6.88     | -               | -      | 8.50    | 8.50          | 5.51 | 223       | -               | -      | 68      | 75     | -          | - | 291 | 298 |
| 66SV-3/1         |       | -               | -       |        | 30.81           | -               | -      | 13.94   | 15.44  | 6.88     | -               | -      | 8.50    | 8.50          | 5.51 | 223       | -               | -      | 68      | 75     | -          | - | 291 | 298 |
| 66SV-3           |       | -               | -       |        | 30.81           | -               | -      | 13.94   | 15.44  | 6.88     | -               | -      | 8.50    | 8.50          | 5.51 | 223       | -               | -      | 68      | 75     | -          | - | 291 | 298 |
| 66SV-4/2         | 7.5   | -               | -       | 213TC  | 34.38           | -               | -      | 13.94   | 15.44  | 6.88     | -               | -      | 8.50    | 8.50          | 5.51 | 234       | -               | -      | 68      | 75     | -          | - | 302 | 309 |
| 66SV-4/1         |       | -               | -       |        | 34.38           | -               | -      | 13.94   | 15.44  | 6.88     | -               | -      | 8.50    | 8.50          | 5.51 | 234       | -               | -      | 68      | 75     | -          | - | 302 | 309 |
| 66SV-4           |       | -               | -       |        | 34.38           | -               | -      | 15.56   | 15.50  | 8.06     | -               | -      | 10.19   | 10.25         | 5.51 | 234       | -               | -      | 122     | 125    | -          | - | 356 | 359 |
| 66SV-5/2         | 10    | -               | -       | 215TC  | 37.44           | -               | -      | 15.56   | 15.50  | 8.06     | -               | -      | 10.19   | 10.25         | 5.51 | 252       | -               | -      | 122     | 125    | -          | - | 374 | 377 |
| 66SV-5/1         |       | -               | -       |        | 37.44           | -               | -      | 15.56   | 15.50  | 8.06     | -               | -      | 10.19   | 10.25         | 5.51 | 252       | -               | -      | 122     | 125    | -          | - | 374 | 377 |
| 66SV-5           |       | -               | -       |        | 37.44           | -               | -      | 15.56   | 15.50  | 8.06     | -               | -      | 10.19   | 10.25         | 5.51 | 252       | -               | -      | 122     | 125    | -          | - | 374 | 377 |
| 66SV-6/2         | 10    | -               | -       | 215TC  | 40.94           | -               | -      | 15.56   | 15.50  | 8.06     | -               | -      | 10.19   | 10.25         | 5.51 | 266       | -               | -      | 122     | 125    | -          | - | 388 | 391 |
| 66SV-6/1         |       | -               | -       |        | 40.94           | -               | -      | 15.56   | 15.50  | 8.06     | -               | -      | 10.19   | 10.25         | 5.51 | 266       | -               | -      | 125     | 129    | -          | - | 391 | 395 |
| 66SV-6           |       | -               | -       | 215TC  | 40.94           | -               | -      | 15.56   | 15.50  | 8.06     | -               | -      | 10.19   | 10.25         | 5.51 | 266       | -               | -      | 125     | 129    | -          | - | 391 | 395 |



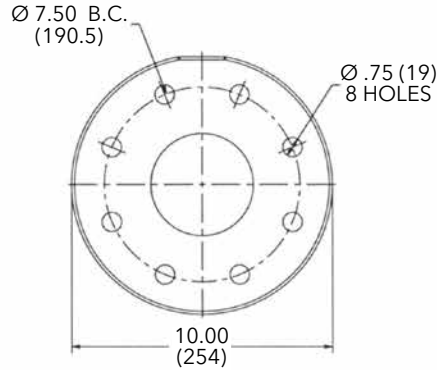
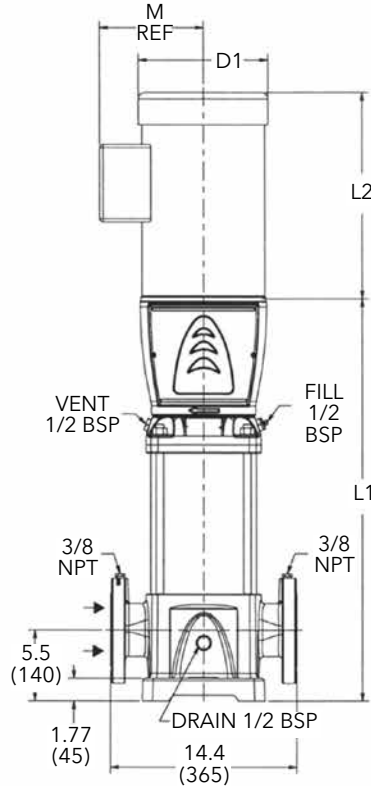
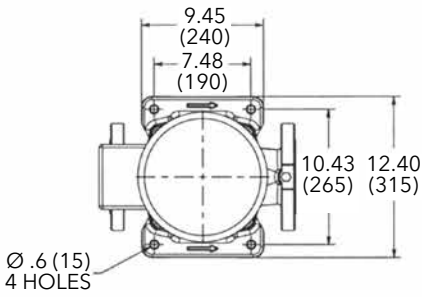
**MINIMUM FLOW RATE: 35 GPM [8 m<sup>3</sup>/hr]**



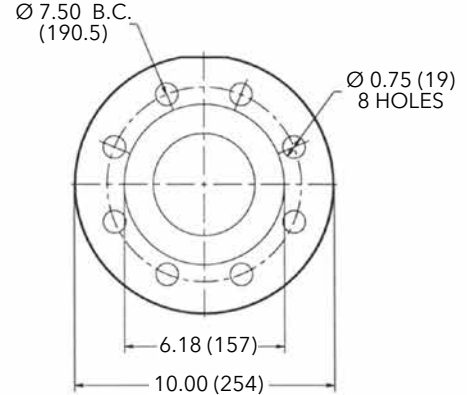
### Dimensions and Weights

### 92SV Series 1750 RPM

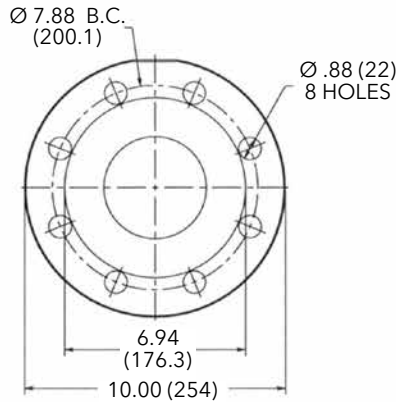
60 Hz



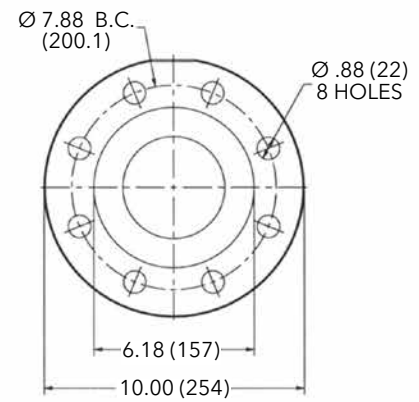
**Cast Iron**  
**4" Class 125 F.F.**



**316SS**  
**4" Class 150 R.F.**



**Cast Iron**  
**4" Class 250 R.F.**

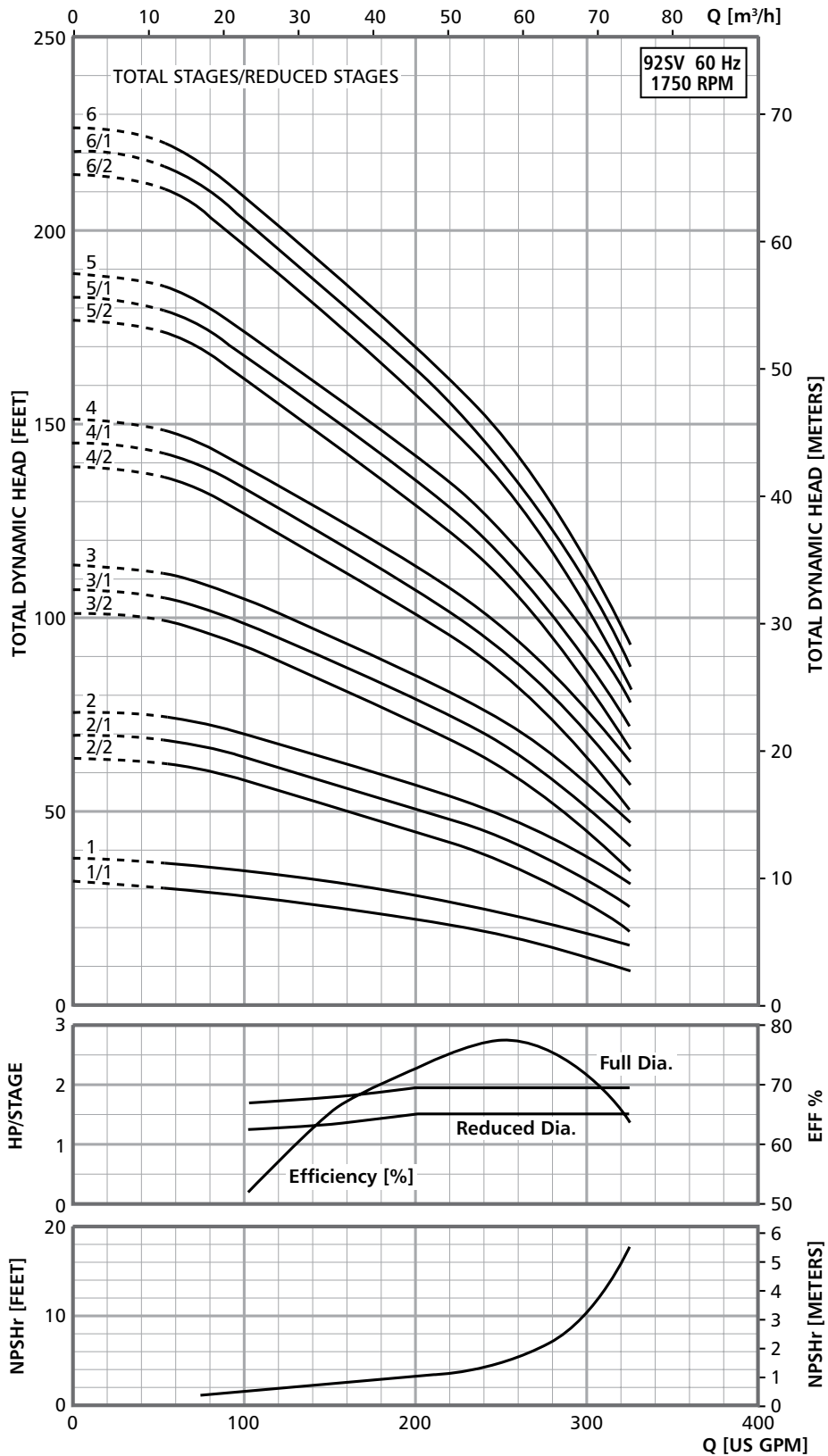


**316SS**  
**4" Class 300 R.F.**

All dimensions are in inches (mm).

### 92SV SERIES – 60Hz, 1750 RPM ODP/TEFC Enclosures

| Pump Type Stages | Motor |            |         |        | Dimensions (in) |         |        |         |        |          |           |        |         |        |      | Weight (lbs.) |         |        |         |        |            |        |         |        |
|------------------|-------|------------|---------|--------|-----------------|---------|--------|---------|--------|----------|-----------|--------|---------|--------|------|---------------|---------|--------|---------|--------|------------|--------|---------|--------|
|                  | HP    | NEMA Frame |         |        | L1              | L2      |        |         |        | M (Ref.) | D1 (max.) |        |         |        | D2   | Pump Only     | Motor   |        |         |        | Pump/Motor |        |         |        |
|                  |       | ODP 10     | TEFC 10 | ODP 30 |                 | TEFC 30 | ODP 10 | TEFC 10 | ODP 30 |          | TEFC 30   | ODP 10 | TEFC 10 | ODP 30 |      |               | TEFC 30 | ODP 10 | TEFC 10 | ODP 30 | TEFC 30    | ODP 10 | TEFC 10 | ODP 30 |
| 92SV-1           | 3     | -          | -       | 182TC  | 23.19           | -       | -      | 15.56   | 16.56  | 9.25     | -         | -      | 10.19   | 10.31  | 5.51 | 185           | -       | -      | 61      | 62     | -          | -      | 246     | 247    |
| 92SV-2/2         |       | -          | -       |        | 26.75           | -       | -      | 15.56   | 16.56  | 9.25     | -         | -      | 10.19   | 10.31  | 5.51 | 196           | -       | -      | 61      | 62     | -          | -      | 257     | 258    |
| 92SV-2/1         | 5     | -          | -       | 184TC  | 26.75           | -       | -      | 15.56   | 16.56  | 9.25     | -         | -      | 10.19   | 10.31  | 5.51 | 196           | -       | -      | 61      | 62     | -          | -      | 257     | 258    |
| 92SV-2           |       | -          | -       |        | 26.75           | -       | -      | 15.56   | 16.56  | 9.25     | -         | -      | 10.19   | 10.31  | 5.51 | 196           | -       | -      | 68      | 75     | -          | -      | 264     | 271    |
| 92SV-3/2         |       | -          | -       |        | 30.81           | -       | -      | 15.56   | 16.56  | 9.25     | -         | -      | 10.19   | 10.31  | 5.51 | 223           | -       | -      | 68      | 75     | -          | -      | 291     | 298    |
| 92SV-3/1         |       | -          | -       |        | 30.81           | -       | -      | 15.56   | 16.56  | 9.25     | -         | -      | 10.19   | 10.31  | 5.51 | 223           | -       | -      | 68      | 75     | -          | -      | 291     | 298    |
| 92SV-3           |       | -          | -       |        | 30.81           | -       | -      | 15.56   | 16.56  | 9.25     | -         | -      | 10.19   | 10.31  | 5.51 | 223           | -       | -      | 68      | 75     | -          | -      | 291     | 298    |
| 92SV-4/2         | 7.5   | -          | -       | 213TC  | 34.38           | -       | -      | 15.56   | 15.50  | 8.06     | -         | -      | 10.19   | 10.25  | 5.51 | 234           | -       | -      | 122     | 125    | -          | -      | 356     | 359    |
| 92SV-4/1         |       | -          | -       |        | 34.38           | -       | -      | 15.56   | 15.50  | 8.06     | -         | -      | 10.19   | 10.25  | 5.51 | 234           | -       | -      | 122     | 125    | -          | -      | 356     | 359    |
| 92SV-4           |       | -          | -       |        | 34.38           | -       | -      | 15.56   | 15.50  | 8.06     | -         | -      | 10.19   | 10.25  | 5.51 | 234           | -       | -      | 122     | 125    | -          | -      | 356     | 359    |
| 92SV-5/2         |       | -          | -       |        | 37.44           | -       | -      | 15.56   | 15.50  | 8.06     | -         | -      | 10.19   | 10.25  | 5.51 | 252           | -       | -      | 122     | 125    | -          | -      | 374     | 377    |
| 92SV-5/1         | 10    | -          | -       | 215TC  | 37.44           | -       | -      | 15.56   | 15.50  | 8.06     | -         | -      | 10.19   | 10.25  | 5.51 | 252           | -       | -      | 125     | 129    | -          | -      | 377     | 381    |
| 92SV-5           |       | -          | -       |        | 37.44           | -       | -      | 15.56   | 15.50  | 8.06     | -         | -      | 10.19   | 10.25  | 5.51 | 252           | -       | -      | 125     | 129    | -          | -      | 377     | 381    |
| 92SV-6/2         |       | -          | -       |        | 40.94           | -       | -      | 15.56   | 15.50  | 8.06     | -         | -      | 10.19   | 10.25  | 5.51 | 266           | -       | -      | 125     | 129    | -          | -      | 391     | 395    |
| 92SV-6/1         | 10    | -          | -       | 215TC  | 40.94           | -       | -      | 15.56   | 15.50  | 8.06     | -         | -      | 10.19   | 10.25  | 5.51 | 266           | -       | -      | 125     | 129    | -          | -      | 391     | 395    |
| 92SV-6           |       | -          | -       |        | 40.94           | -       | -      | 15.56   | 15.50  | 8.06     | -         | -      | 10.19   | 10.25  | 5.51 | 266           | -       | -      | 125     | 129    | -          | -      | 391     | 395    |



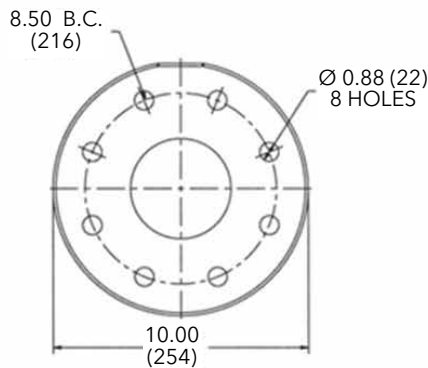
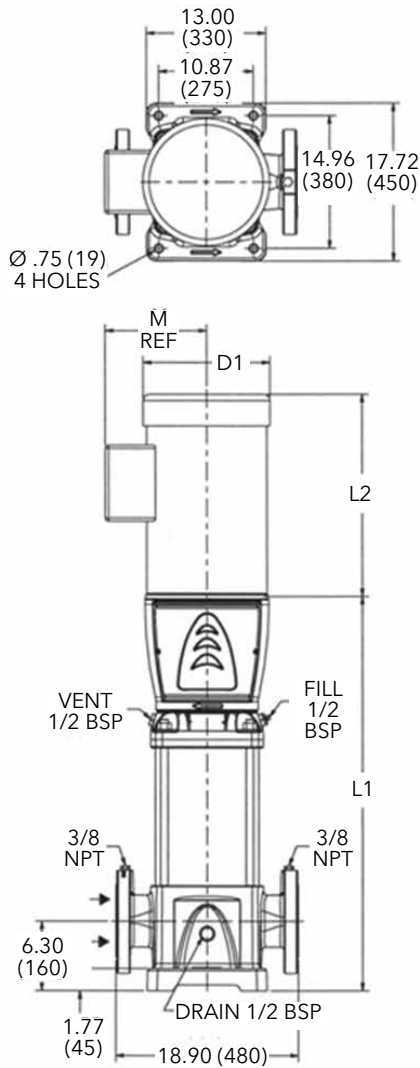
**MINIMUM FLOW RATE: 50 GPM [11 m<sup>3</sup>/hr]**

## Commercial Water

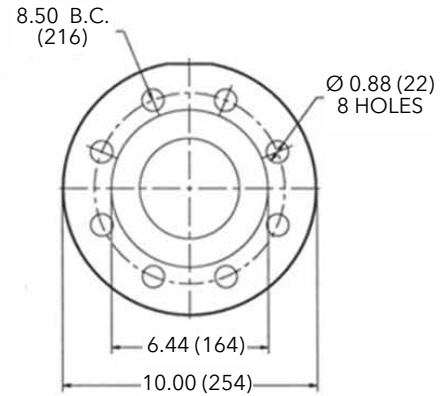
### Dimensions and Weights

### 125SV Series 1750 RPM

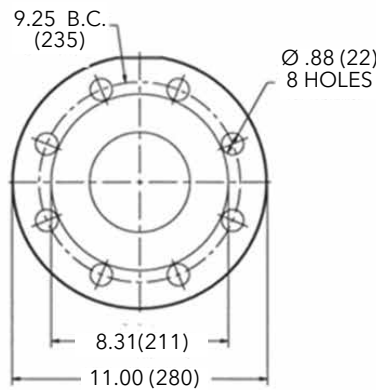
60 Hz



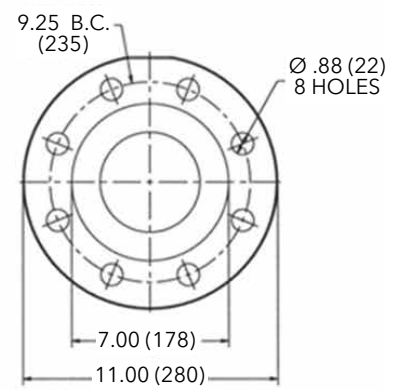
**Cast Iron  
5" Class 125 F.F.**



**316SS  
5" Class 150 R.F.**



**Cast Iron  
5" Class 250 R.F.**

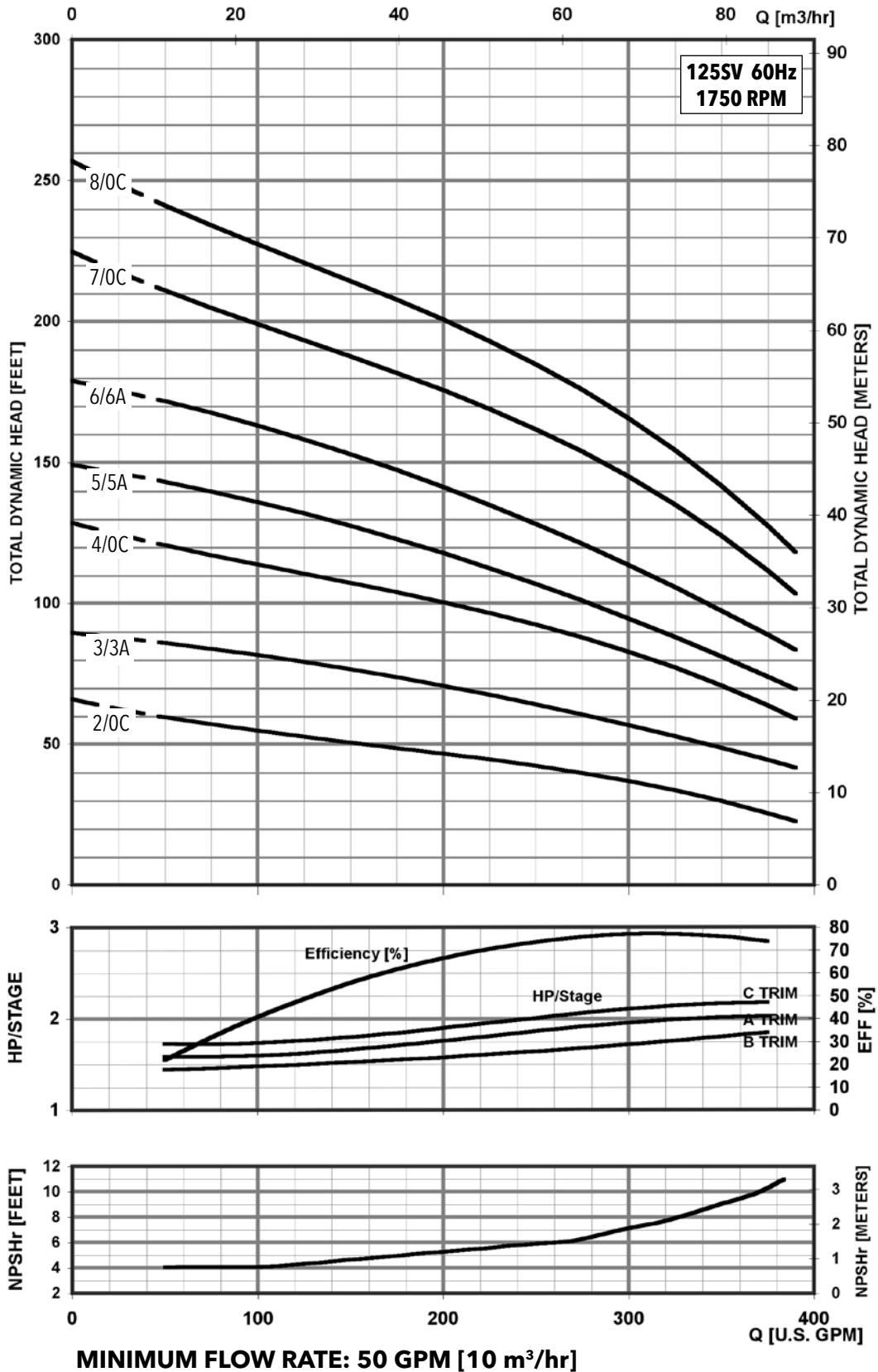


**316SS  
5" Class 300 R.F.**

All dimensions are in inches (mm).

### 125SV SERIES – 60Hz, 1750 RPM ODP/TEFC Enclosures

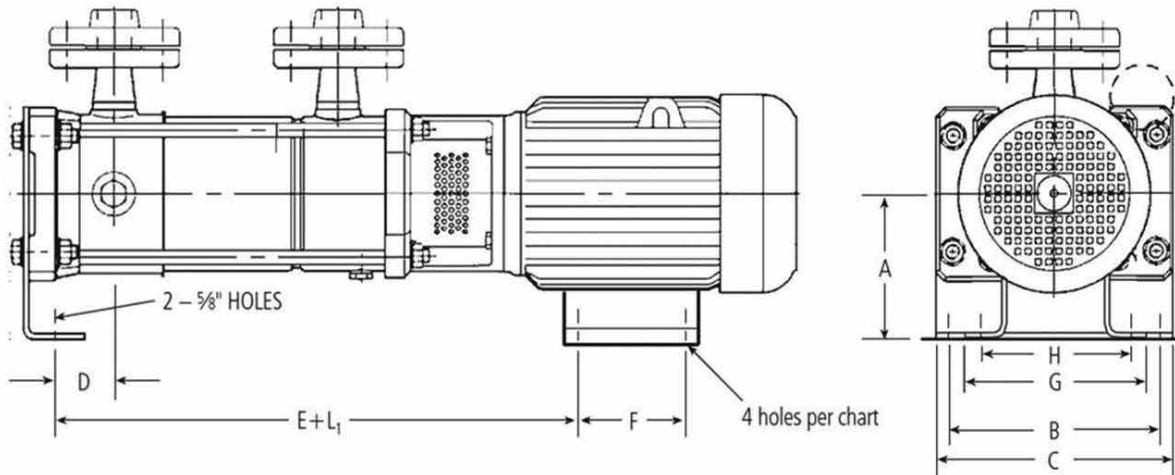
| Pump Type | HP  | Motor      |         |        |         | Dimensions (in) |        |         |        |         |    |    |    |    |          |           | Weight (lbs.) |        |         |      |      |        |         |        |         |            |         |        |         |
|-----------|-----|------------|---------|--------|---------|-----------------|--------|---------|--------|---------|----|----|----|----|----------|-----------|---------------|--------|---------|------|------|--------|---------|--------|---------|------------|---------|--------|---------|
|           |     | NEMA Frame |         |        |         | L1              | L2     |         |        |         | L3 | L4 | L5 | L6 | M (Ref.) | D1 (max.) |               |        |         | D2   | Pump | Motor  |         |        |         | Pump/Motor |         |        |         |
|           |     | ODP 1Ø     | TEFC 1Ø | ODP 3Ø | TEFC 3Ø |                 | ODP 1Ø | TEFC 1Ø | ODP 3Ø | TEFC 3Ø |    |    |    |    |          | ODP 1Ø    | TEFC 1Ø       | ODP 3Ø | TEFC 3Ø |      |      | ODP 1Ø | TEFC 1Ø | ODP 3Ø | TEFC 3Ø | ODP 1Ø     | TEFC 1Ø | ODP 3Ø | TEFC 3Ø |
| 125SV20C  | 5   | 184TC      | 184TC   | 182TC  | 184TC   | 34.60           | 13.93  | 15.43   | 12.55  | 13.93   | -  | -  | -  | -  | 6.87     | 8.88      | 8.86          | 9.02   | 8.86    | 5.51 | 289  | 81     | 92      | 62     | 69      | 370        | 381     | 351    | 358     |
| 125SV33A  | 5   | 184TC      | 184TC   | 182TC  | 184TC   | 40.50           | 13.93  | 15.43   | 12.55  | 13.93   | -  | -  | -  | -  | 6.87     | 8.88      | 8.86          | 9.02   | 8.86    | 5.51 | 315  | 81     | 92      | 62     | 69      | 396        | 407     | 377    | 384     |
| 125SV40C  | 7.5 | 213TC      | 213TC   | 184TC  | 184TC   | 46.40           | 13.88  | 15.53   | 13.93  | 15.43   | -  | -  | -  | -  | 8.05     | 8.89      | 10.62         | 8.88   | 8.86    | 5.51 | 355  | 100    | 120     | 75     | 85      | 455        | 475     | 430    | 440     |
| 125SV55A  | 10  | 215TC      | 215TC   | 213TC  | 215TC   | 52.30           | 16.63  | 16.68   | 15.55  | 15.51   | -  | -  | -  | -  | 8.77     | 10.62     | 10.18         | 10.18  | 10.28   | 5.51 | 379  | 132    | 145     | 107    | 122     | 511        | 524     | 486    | 501     |
| 125SV66A  | 10  | 215TC      | 215TC   | 213TC  | 215TC   | 58.20           | 16.63  | 16.68   | 15.55  | 15.51   | -  | -  | -  | -  | 8.77     | 10.62     | 10.18         | 10.18  | 10.28   | 5.51 | 412  | 132    | 145     | 107    | 122     | 544        | 557     | 519    | 534     |
| 125SV70C  | 15  | -          | -       | 215TC  | 254TC   | 65.30           | -      | -       | 15.55  | 16.57   | -  | -  | -  | -  | 9.22     | -         | -             | 10.18  | 10.28   | 5.51 | 476  | -      | -       | 125    | 195     | -          | -       | 601    | 671     |
| 125SV80C  | 15  | -          | -       | 215TC  | 254TC   | 71.10           | -      | -       | 15.55  | 16.57   | -  | -  | -  | -  | 9.22     | -         | -             | 10.18  | 10.28   | 5.51 | 494  | -      | -       | 125    | 195     | -          | -       | 619    | 689     |



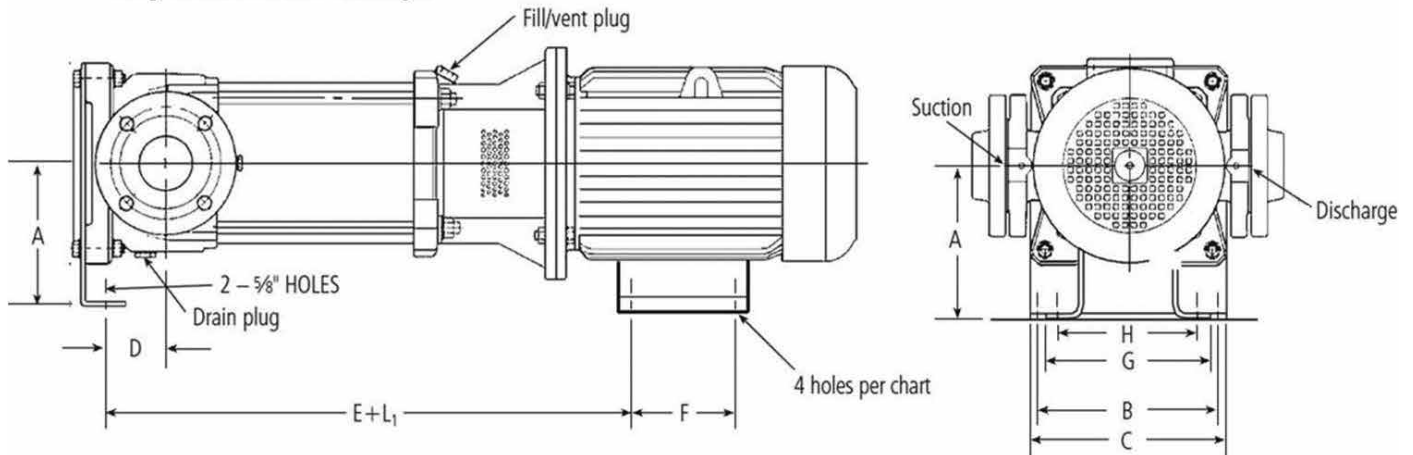
## Commercial Water

### 1SV - 22SV Horizontal Mounting Option

- Consists of e-SV pump with base mounting foot and footed motor for horizontal installations.
- Unit depicted may not show actual pump configuration. Use for mounting location only.



Flanges can be rotated 90° left or right.



### 1SV - 22SV HORIZONTAL MOUNTING OPTION

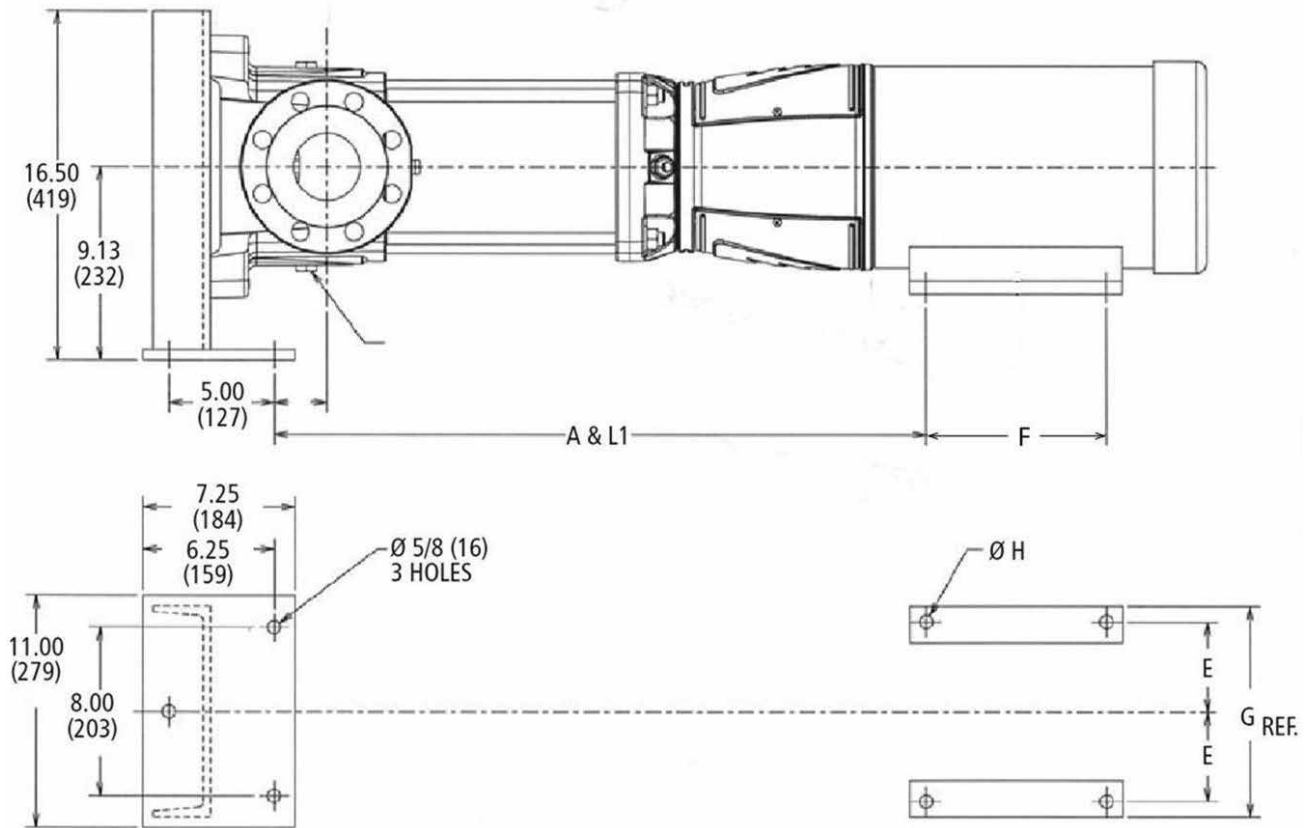
| Series | Motor Frame   | Flange        | A      | B      | C     | D     | E     | F      | G      | H     | Motor Shim Thickness | Pump Shim Thickness |
|--------|---------------|---------------|--------|--------|-------|-------|-------|--------|--------|-------|----------------------|---------------------|
| 1SV    | 56C           | T             | 4.5    | 7      | 9     | 0.219 | 0.810 | 3      | 6.563  | 4.825 | 1                    | -                   |
|        |               | F, N, P, G, C | 4.5    | 7      | 9     | 1.125 | 0.810 | 3      | 6.563  | 4.825 | 1                    | -                   |
|        |               | R             | 4.5    | 11     | 12    | 1.254 | 0.940 | 3      | 6.563  | 4.825 | 1                    | -                   |
| 3SV    | 56C           | T             | 4.5    | 7      | 9     | 0.219 | 0.81  | 3      | 6.563  | 4.825 | 1                    | -                   |
|        |               | F, N, P, G, C | 4.5    | 7      | 9     | 1.125 | 0.81  | 3      | 6.563  | 4.825 | 1                    | -                   |
|        |               | R             | 4.5    | 11     | 12    | 1.254 | 0.94  | 3      | 6.563  | 4.825 | 1                    | -                   |
|        | 180TC         | T             | 4.5    | 7      | 9     | 0.219 | 1.88  | 5.5    | 6.563  | 4.825 | -                    | -                   |
|        |               | F, N, P, G, C | 4.5    | 7      | 9     | 1.125 | 1.88  | 5.5    | 6.563  | 4.825 | -                    | -                   |
|        |               | R             | 4.5    | 11     | 12    | 1.254 | 2.01  | 5.5    | 6.563  | 4.825 | -                    | -                   |
|        | 210TC         | T             | 4.5    | 7      | 9     | 0.219 | 2.5   | 7      | 6.563  | 4.825 | -                    | 0.75                |
|        |               | F, N, P, G, C | 4.5    | 7      | 9     | 1.125 | 2.5   | 7      | 6.563  | 4.825 | -                    | 0.75                |
|        |               | R             | 4.5    | 11     | 12    | 1.254 | 2.63  | 7      | 6.563  | 4.825 | -                    | 0.75                |
| 5SV    | 56C           | T             | 4.5    | 7      | 9     | 0.219 | 0.81  | 3      | 6.563  | 4.825 | 1                    | -                   |
|        |               | F, N, P, G, C | 4.5    | 7      | 9     | 1.125 | 0.81  | 3      | 6.563  | 4.825 | 1                    | -                   |
|        |               | R             | 4.5    | 11     | 12    | 1.254 | 0.94  | 3      | 6.563  | 4.825 | 1                    | -                   |
|        | 180TC         | T             | 4.5    | 7      | 9     | 0.219 | 1.88  | 5.5    | 6.563  | 4.825 | -                    | -                   |
|        |               | F, N, P, G, C | 4.5    | 7      | 9     | 1.125 | 1.88  | 5.5    | 6.563  | 4.825 | -                    | -                   |
|        |               | R             | 4.5    | 11     | 12    | 1.254 | 2.01  | 5.5    | 6.563  | 4.825 | -                    | -                   |
|        | 210TC         | T             | 4.5    | 7      | 9     | 0.219 | 2.5   | 7      | 6.563  | 4.825 | -                    | 0.75                |
|        |               | F, N, P, G, C | 4.5    | 7      | 9     | 1.125 | 2.5   | 7      | 6.563  | 4.825 | -                    | 0.75                |
|        |               | R             | 4.5    | 11     | 12    | 1.254 | 2.63  | 7      | 6.563  | 4.825 | -                    | 0.75                |
| 10SV   | 56C           | T             | 6.25   | 9.125  | 10.50 | 1.59  | 1     | 3      | 6.563  | 4.825 | 2.75                 | -                   |
|        |               | F, N, P, G, C | 6.25   | 9.125  | 10.50 | 1.983 | 1     | 3      | 6.563  | 4.825 | 2.75                 | -                   |
|        |               | R             | 6.25   | 11.875 | 13.25 | 1.983 | 1     | 3      | 6.563  | 4.825 | 1                    | -                   |
|        | 180TC         | T             | 6.25   | 9.125  | 10.50 | 1.59  | 2.07  | 5.5    | 8.625  | 7.50  | 1.75                 | -                   |
|        |               | F, N, P, G, C | 6.25   | 9.125  | 10.50 | 1.983 | 2.07  | 5.5    | 8.625  | 7.50  | 1.75                 | -                   |
|        |               | R             | 6.25   | 11.875 | 13.25 | 1.983 | 2.07  | 5.5    | 8.625  | 7.50  | -                    | -                   |
|        | 210TC         | T             | 6.25   | 9.125  | 10.50 | 1.59  | 2.69  | 7      | 9.500  | 8.50  | 1                    | -                   |
|        |               | F, N, P, G, C | 6.25   | 9.125  | 10.50 | 1.983 | 2.69  | 7      | 9.500  | 8.50  | 1                    | -                   |
|        |               | R             | 6.25   | 11.875 | 13.25 | 1.983 | 2.69  | 7      | 9.500  | 8.50  | -                    | 0.75                |
|        | 250TC         | T             | 6.25   | 9.125  | 10.50 | 1.59  | 3.19  | 10     | 11.500 | 10.00 | -                    | -                   |
|        |               | F, N, P, G, C | 6.25   | 9.125  | 10.50 | 1.983 | 3.19  | 10     | 11.500 | 10.00 | -                    | -                   |
|        |               | R             | 6.25   | 11.875 | 13.25 | 1.983 | 3.19  | 10     | 11.500 | 10.00 | -                    | 1.75                |
| 15SV   | 56C           | T             | 6.25   | 9.125  | 10.50 | 1.59  | 1     | 3      | 6.563  | 4.825 | 2.75                 | -                   |
|        |               | F, N, P, G, C | 6.25   | 9.125  | 10.50 | 1.983 | 1     | 3      | 6.563  | 4.825 | 2.75                 | -                   |
|        |               | R             | 6.25   | 11.875 | 13.25 | 1.983 | 1     | 3      | 6.563  | 4.825 | 1                    | -                   |
|        | 180TC         | T             | 6.25   | 9.125  | 10.50 | 1.59  | 2.07  | 5.5    | 8.625  | 7.50  | 1.75                 | -                   |
|        |               | F, N, P, G, C | 6.25   | 9.125  | 10.50 | 1.983 | 2.07  | 5.5    | 8.625  | 7.50  | 1.75                 | -                   |
|        |               | R             | 6.25   | 11.875 | 13.25 | 1.983 | 2.07  | 5.5    | 8.625  | 7.50  | -                    | -                   |
|        | 210TC         | T             | 6.25   | 9.125  | 10.50 | 1.59  | 2.69  | 7      | 9.500  | 8.50  | 1                    | -                   |
|        |               | F, N, P, G, C | 6.25   | 9.125  | 10.50 | 1.983 | 2.69  | 7      | 9.500  | 8.50  | 1                    | -                   |
|        |               | R             | 6.25   | 11.875 | 13.25 | 1.983 | 2.69  | 7      | 9.500  | 8.50  | -                    | 0.75                |
|        | 250TC         | T             | 6.25   | 9.125  | 10.50 | 1.59  | 3.19  | 10     | 11.500 | 10.00 | -                    | -                   |
|        |               | F, N, P, G, C | 6.25   | 9.125  | 10.50 | 1.983 | 3.19  | 10     | 11.500 | 10.00 | -                    | -                   |
|        |               | R             | 6.25   | 11.875 | 13.25 | 1.983 | 3.19  | 10     | 11.500 | 10.00 | -                    | 1.75                |
| 280TC  | T             | 6.25          | 9.125  | 10.50  | 1.59  | 3.19  | 11    | 12.750 | 12.50  | -     | 0.75                 |                     |
|        | F, N, P, G, C | 6.25          | 9.125  | 10.50  | 1.983 | 3.19  | 11    | 12.750 | 12.50  | -     | 0.75                 |                     |
|        | R             | 6.25          | 11.875 | 13.25  | 1.983 | 3.19  | 11    | 12.750 | 12.50  | -     | 2.50                 |                     |
| 22SV   | 56C           | T             | 6.25   | 9.125  | 10.50 | 1.59  | 1     | 3      | 6.563  | 4.825 | 2.75                 | -                   |
|        |               | F, N, P, G, C | 6.25   | 9.125  | 10.50 | 1.983 | 1     | 3      | 6.563  | 4.825 | 2.75                 | -                   |
|        |               | R             | 6.25   | 11.875 | 13.25 | 1.983 | 1     | 3      | 6.563  | 4.825 | 1                    | -                   |
|        | 180TC         | T             | 6.25   | 9.125  | 10.50 | 1.59  | 2.07  | 5.5    | 8.625  | 7.50  | 1.75                 | -                   |
|        |               | F, N, P, G, C | 6.25   | 9.125  | 10.50 | 1.983 | 2.07  | 5.5    | 8.625  | 7.50  | 1.75                 | -                   |
|        |               | R             | 6.25   | 11.875 | 13.25 | 1.983 | 2.07  | 5.5    | 8.625  | 7.50  | -                    | -                   |
|        | 210TC         | T             | 6.25   | 9.125  | 10.50 | 1.59  | 2.69  | 7      | 9.500  | 8.50  | 1                    | -                   |
|        |               | F, N, P, G, C | 6.25   | 9.125  | 10.50 | 1.983 | 2.69  | 7      | 9.500  | 8.50  | 1                    | -                   |
|        |               | R             | 6.25   | 11.875 | 13.25 | 1.983 | 2.69  | 7      | 9.500  | 8.50  | -                    | 0.75                |
|        | 250TC         | T             | 6.25   | 9.125  | 10.50 | 1.59  | 3.19  | 10     | 11.500 | 10.00 | -                    | -                   |
|        |               | F, N, P, G, C | 6.25   | 9.125  | 10.50 | 1.983 | 3.19  | 10     | 11.500 | 10.00 | -                    | -                   |
|        |               | R             | 6.25   | 11.875 | 13.25 | 1.983 | 3.19  | 10     | 11.500 | 10.00 | -                    | 1.75                |
| 280TC  | T             | 6.25          | 9.125  | 10.50  | 1.59  | 3.19  | 11    | 12.750 | 12.50  | -     | 0.75                 |                     |
|        | F, N, P, G, C | 6.25          | 9.125  | 10.50  | 1.983 | 3.19  | 11    | 12.750 | 12.50  | -     | 0.75                 |                     |
|        | R             | 6.25          | 11.875 | 13.25  | 1.983 | 3.19  | 11    | 12.750 | 12.50  | -     | 2.50                 |                     |



## Commercial Water

### 33SV - 92SV HORIZONTAL MOUNTING OPTION

- Consists of e-SV pump with base mounting foot and footed motor for horizontal installations.
- Unit depicted may not show actual pump configuration. Use for mounting location only.

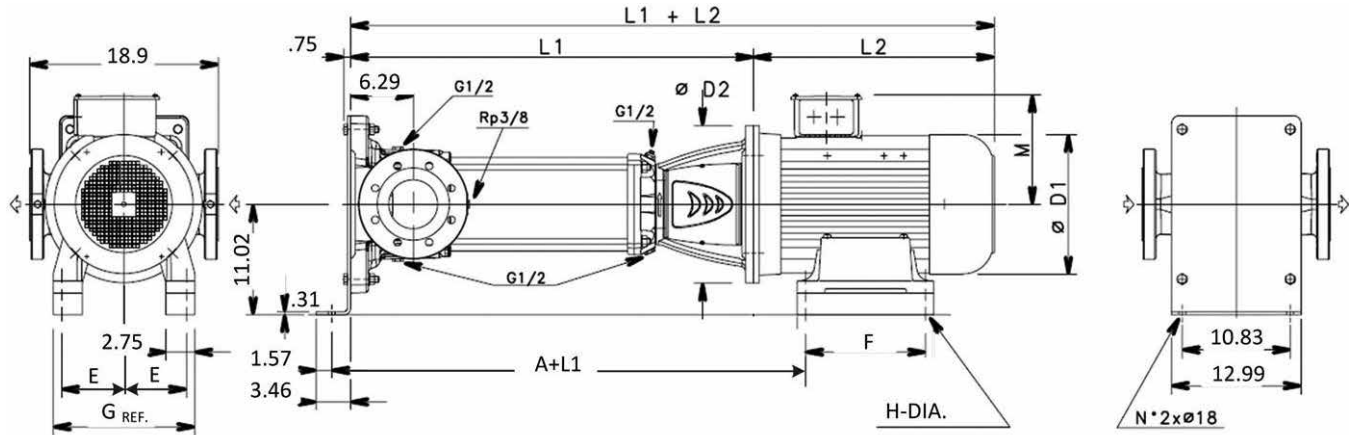


| Series     | Motor Frame | Flange | A    | B    | E    | F    | G     | H - DIA. |
|------------|-------------|--------|------|------|------|------|-------|----------|
| 33SV       | 182TC       | G, N   | 0.5  | 1.13 | 3.5  | 2.25 | 8.63  | 13/32    |
|            | 184TC       |        |      |      |      | 2.75 |       |          |
|            | 213TC       |        | 1.25 |      | 4.25 | 2.75 | 9.5   |          |
|            | 215TC       |        |      |      |      | 3.5  |       |          |
|            | 254TC       |        | 1.75 |      | 5    | 4.12 | 11.25 | 17/32    |
|            | 256TC       |        |      |      |      | 5    |       |          |
|            | 284TC       |        | 1.75 |      | 5.5  | 4.75 | 12.25 |          |
|            | 286TC       |        |      |      |      | 5.5  |       |          |
|            | 324TSC      |        | 2.25 |      | 6.25 | 5.25 | 16    |          |
|            | 326TSC      |        |      |      |      | 6    |       |          |
|            | 364TSC      |        | 2.88 |      | 7    | 5.63 | 18    |          |
| 365TSC     | 6.12        |        |      |      |      |      |       |          |
| 46/66/92SV | 182TC       | G, N   | 0.5  | 2.5  | 3.7  | 2.25 | 8.63  | 13/32    |
|            | 184TC       |        |      |      |      | 2.75 |       |          |
|            | 213TC       |        | 1.25 |      | 4.25 | 2.75 | 9.5   |          |
|            | 215TC       |        |      |      |      | 3.5  |       |          |
|            | 254TC       |        | 1.75 |      | 5    | 4.12 | 11.25 | 17/32    |
|            | 256TC       |        |      |      |      | 5    |       |          |
|            | 284TC       |        | 1.75 |      | 5.5  | 4.75 | 16.5  |          |
|            | 286TC       |        |      |      |      | 5.5  |       |          |
|            | 324TSC      |        | 2.25 |      | 6.25 | 5.25 | 15.25 |          |
|            | 326TSC      |        |      |      |      | 6    |       |          |
|            | 364TSC      |        | 2.88 |      | 7    | 5.63 | 17    |          |
| 365TSC     | 6.12        |        |      |      |      |      |       |          |

## Commercial Water

### 125SV HORIZONTAL MOUNTING OPTION

- Consists of e-SV pump with base mounting foot and footed motor for horizontal installations.
- Unit depicted may not show actual pump configuration. Use for mounting location only.



| Series | Motor Frame | Flange | A    | E     | F     | G (ref.) | H - Dia. |
|--------|-------------|--------|------|-------|-------|----------|----------|
| 125SV  | 182TC       | G, N   | 5.20 | 3.5   | 2.25  | 8.63     | 13/32    |
|        | 184TC       |        |      |       | 2.75  |          |          |
|        | 213TC       |        |      |       | 2.75  |          |          |
|        | 215TC       |        | 3.5  | 11.25 |       |          |          |
|        | 254TC       |        | 4.12 |       |       |          |          |
|        | 256TC       |        | 5    |       |       |          |          |
|        | 284TC       |        | 4.75 | 12.25 | 17/32 |          |          |
|        | 286TC       |        | 5.5  |       |       |          |          |
|        | 324TSC      |        | 5.25 | 16    | 21/32 |          |          |
|        | 326TSC      |        | 6    |       |       |          |          |
|        | 364TSC      |        | 5.63 |       |       |          |          |
|        | 365TSC      |        | 6.12 | 18    |       |          |          |

### Technical Data - Pump Hydraulics / Motor Sizing

#### 1SV 3500 RPM

| No. of Impellers | Maximum HP draw | Motor Selection using SF |                  |      | Motor Selection 1.0 SF |                  |       | Shutoff TDH (Feet) | Shutoff TDH (psi) | Shutoff TDH (Bar) | Casing/Sleeve Pressure Rating (standard assy.) | Pump Flange Rating |
|------------------|-----------------|--------------------------|------------------|------|------------------------|------------------|-------|--------------------|-------------------|-------------------|--|--------------------|
|                  |                 | Rated HP                 | NEMA Motor Frame |      | Rated HP               | NEMA Motor Frame |       |                    |                   |                   |  |                    |
|                  |                 |                          | ODP              | TEFC |                        | ODP              | TEFC  |                    |                   |                   |  |                    |
| 30               | 3.45            | 3.00                     | 56C              | 56C  | 5.00                   | 184TC            | 184TC | 860                | 372               | 25.7              | 40 Bar (580 psi)                               | Class 250 / 300    |
| 29               | 3.34            |                          | 56C              | 56C  |                        | 184TC            | 184TC | 835                | 362               | 24.9              |  |                    |
| 28               | 3.22            |                          | 56C              | 56C  |                        | 184TC            | 184TC | 810                | 351               | 24.2              |  |                    |
| 27               | 3.11            |                          | 56C              | 56C  |                        | 184TC            | 184TC | 780                | 338               | 23.3              |  |                    |
| 26               | 2.99            |                          | 56C              | 56C  |                        | 56C              | 56C   | 750                | 325               | 22.4              |  |                    |
| 25               | 2.88            |                          | 56C              | 56C  | 56C                    | 56C              | 720   | 312                | 21.5              |                   |  |                    |
| 24               | 2.76            |                          | 56C              | 56C  | 56C                    | 56C              | 695   | 301                | 20.7              |                   |  |                    |
| 23               | 2.67            |                          | 56C              | 56C  | 3.00                   | 56C              | 56C   | 665                | 288               | 19.8              |  |                    |
| 22               | 2.53            |                          | 56C              | 56C  |                        | 56C              | 56C   | 635                | 275               | 18.9              |  |                    |
| 21               | 2.42            |                          | 56C              | 56C  |                        | 56C              | 56C   | 610                | 264               | 18.2              |  |                    |
| 20               | 2.30            | 56C                      | 56C              | 56C  |                        | 56C              | 580   | 251                | 17.3              |                   |  |                    |
| 19               | 2.19            | 56C                      | 56C              | 56C  |                        | 56C              | 550   | 238                | 16.4              |                   |  |                    |
| 18               | 2.07            | 2.00                     | 56C              | 56C  | 56C                    | 56C              | 520   | 225                | 15.5              | 25 Bar (362 psi)  | Class 250 / 300                                |                    |
| 17               | 1.96            |                          | 56C              | 56C  | 56C                    | 56C              | 485   | 210                | 14.5              |                   |  |                    |
| 16               | 1.84            |                          | 56C              | 56C  | 56C                    | 56C              | 455   | 197                | 13.6              |                   |  |                    |
| 15               | 1.73            |                          | 56C              | 56C  | 2.00                   | 56C              | 56C   | 425                | 184               |                   |  | 12.7               |
| 14               | 1.61            |                          | 56C              | 56C  |                        | 56C              | 56C   | 400                | 173               |                   |  | 11.9               |
| 13               | 1.50            | 56C                      | 56C              | 56C  |                        | 56C              | 375   | 162                | 11.2              |                   |  |                    |
| 12               | 1.38            | 56C                      | 56C              | 1.50 |                        | 56C              | 56C   | 345                | 149               |                   |  | 10.3               |
| 11               | 1.27            | 56C                      | 56C              |      |                        | 56C              | 56C   | 315                | 136               |                   |  | 9.4                |
| 10               | 1.15            | 1.00                     | 56C              |      | 56C                    | 56C              | 56C   | 290                | 126               |                   |  | 8.7                |
| 9                | 1.04            |                          | 56C              |      | 56C                    | 56C              | 56C   | 255                | 110               |                   |  | 7.6                |
| 8                | 0.92            |                          | 0.75             |      | 56C                    | 56C              | 56C   | 56C                | 230               | 100               | 6.9  |                    |
| 7                | 0.81            |                          |                  | 56C  | 56C                    | 56C              | 56C   | 200                | 87                | 6.0               |  |                    |
| 6                | 0.69            |                          |                  | 56C  | 56C                    | 0.75             | 56C   | 56C                | 175               | 76                | 5.2  |                    |
| 5                | 0.58            | 56C                      |                  | 56C  | 56C                    |                  | 56C   | 145                | 63                | 4.3               |  |                    |
| 4                | 0.46            | 0.50                     |                  | 56C  | 56C                    |                  | 56C   | 56C                | 115               | 50                | 3.4  |                    |
| 3                | 0.35            |                          | 56C              | 56C  | 56C                    |                  | 56C   | 85                 | 37                | 2.5               |  |                    |
| 2                | 0.23            |                          | 56C              | 56C  | 56C                    |                  | 56C   | 60                 | 26                | 1.8               |  |                    |

#### 3SV 3500 RPM

| No. of Impellers | Maximum HP draw | Motor Selection using SF |                  |       | Motor Selection 1.0 SF |                  |       | Shutoff TDH (Feet) | Shutoff TDH (psi) | Shutoff TDH (Bar) | Casing/Sleeve Pressure Rating (standard assy.) | Pump Flange Rating |
|------------------|-----------------|--------------------------|------------------|-------|------------------------|------------------|-------|--------------------|-------------------|-------------------|--|--------------------|
|                  |                 | Rated HP                 | NEMA Motor Frame |       | Rated HP               | NEMA Motor Frame |       |                    |                   |                   |  |                    |
|                  |                 |                          | ODP              | TEFC  |                        | ODP              | TEFC  |                    |                   |                   |  |                    |
| 30               | 6.24            | 7.50                     | 213TC            | 213TC | 7.50                   | 213TC            | 213TC | 1085               | 470               | 32.4              | 40 Bar (580 psi)                               | Class 250 / 300    |
| 29               | 6.03            |                          | 213TC            | 213TC |                        | 213TC            | 213TC | 1050               | 455               | 31.3              |  |                    |
| 28               | 5.82            |                          | 213TC            | 213TC |                        | 213TC            | 213TC | 1015               | 440               | 30.3              |  |                    |
| 27               | 5.62            |                          | 184TC            | 184TC |                        | 213TC            | 213TC | 975                | 422               | 29.1              |  |                    |
| 26               | 5.41            |                          | 184TC            | 184TC |                        | 213TC            | 213TC | 940                | 407               | 28.0              |  |                    |
| 25               | 5.20            | 5.00                     | 184TC            | 184TC | 5.00                   | 213TC            | 213TC | 900                | 390               | 26.9              | 25 Bar (362 psi)                               | Class 250 / 300    |
| 24               | 4.99            |                          | 184TC            | 184TC |                        | 184TC            | 184TC | 865                | 375               | 25.8              |  |                    |
| 23               | 4.78            |                          | 184TC            | 184TC |                        | 184TC            | 184TC | 825                | 357               | 24.6              |  |                    |
| 22               | 4.58            |                          | 184TC            | 184TC |                        | 184TC            | 184TC | 795                | 344               | 23.7              |  |                    |
| 21               | 4.37            |                          | 184TC            | 184TC |                        | 184TC            | 184TC | 760                | 329               | 22.7              |  |                    |
| 20               | 4.16            |                          | 184TC            | 184TC | 184TC                  | 184TC            | 720   | 312                | 21.5              |                   |  |                    |
| 19               | 3.95            |                          | 184TC            | 184TC | 3.00                   | 184TC            | 184TC | 680                | 294               | 20.3              |  |                    |
| 18               | 3.74            |                          | 184TC            | 184TC |                        | 184TC            | 184TC | 645                | 279               | 19.2              |  |                    |
| 17               | 3.54            |                          | 184TC            | 184TC |                        | 184TC            | 184TC | 610                | 264               | 18.2              |  |                    |
| 16               | 3.33            |                          | 3.00             | 56C   |                        | 56C              | 184TC | 184TC              | 575               | 249               |  |                    |
| 15               | 3.12            | 56C                      |                  | 56C   |                        | 184TC            | 184TC | 540                | 234               | 16.1              |  |                    |
| 14               | 2.91            | 56C                      |                  | 56C   | 56C                    | 56C              | 500   | 217                | 14.9              |                   |  |                    |
| 13               | 2.70            | 56C                      |                  | 56C   | 56C                    | 56C              | 465   | 201                | 13.9              |                   |  |                    |
| 12               | 2.50            | 56C                      |                  | 56C   | 56C                    | 56C              | 430   | 186                | 12.8              |                   |  |                    |
| 11               | 2.29            | 2.00                     | 56C              | 56C   | 2.00                   | 56C              | 56C   | 395                | 171               | 11.8              | 25 Bar (362 psi)                               | Class 250 / 300    |
| 10               | 2.08            |                          | 56C              | 56C   |                        | 56C              | 56C   | 360                | 156               | 10.7              |  |                    |
| 9                | 1.87            |                          | 56C              | 56C   |                        | 56C              | 56C   | 320                | 139               | 9.5               |  |                    |
| 8                | 1.66            |                          | 56C              | 56C   |                        | 56C              | 56C   | 285                | 123               | 8.5               |  |                    |
| 7                | 1.46            |                          | 1.50             | 56C   |                        | 56C              | 1.50  | 56C                | 56C               | 250               |  |                    |
| 6                | 1.25            | 56C                      |                  | 56C   | 56C                    | 56C              |       | 215                | 93                | 6.4               |  |                    |
| 5                | 1.04            | 56C                      |                  | 56C   | 56C                    | 56C              |       | 180                | 78                | 5.4               |  |                    |
| 4                | 0.83            | 0.75                     |                  | 56C   | 56C                    | 1.00             |       | 56C                | 56C               | 145               | 63   | 4.3                |
| 3                | 0.62            | 0.50                     |                  | 56C   | 56C                    | 0.75             |       | 56C                | 56C               | 105               | 45   | 3.1                |
| 2                | 0.42            |                          | 56C              | 56C   | 0.50                   | 56C              | 56C   | 70                 | 30                | 2.1               |  |                    |

## Commercial Water

### TECHNICAL DATA - PUMP HYDRAULICS / MOTOR SIZING

#### 5SV 3500 RPM

| No. of Impellers | Maximum HP draw | Motor Selection using SF |                  |       |          | Motor Selection 1.0 SF |       |     |      | Shutoff TDH (Feet) | Shutoff TDH (psi) | Shutoff TDH (Bar) | Casing/Sleeve Pressure Rating (standard assy.) | Pump Flange Rating |
|------------------|-----------------|--------------------------|------------------|-------|----------|------------------------|-------|-----|------|--------------------|-------------------|-------------------|--|--------------------|
|                  |                 | Rated HP                 | NEMA Motor Frame |       | Rated HP | NEMA Motor Frame       |       |     |      |                    |                   |                   |  |                    |
|                  |                 |                          | ODP              | TEFC  |          | ODP                    | TEFC  |     |      |                    |                   |                   |  |                    |
| 27               | 8.80            | 10.00                    | 215TC            | 215TC | 10.00    | 215TC                  | 215TC | 975 | 422  | 29.1               | 40 Bar (580 psi)  | Class 250 / 300   |  |                    |
| 26               | 8.48            | 7.50                     | 213TC            | 213TC |          | 215TC                  | 215TC | 940 | 407  | 28.0               |                   |                   |  |                    |
| 25               | 8.15            |                          | 213TC            | 213TC |          | 215TC                  | 215TC | 900 | 390  | 26.9               |                   |                   |  |                    |
| 24               | 7.82            |                          | 213TC            | 213TC |          | 215TC                  | 215TC | 865 | 375  | 25.8               |                   |                   |  |                    |
| 23               | 7.50            |                          | 213TC            | 213TC | 7.50     | 213TC                  | 213TC | 825 | 357  | 24.6               |                   |                   |  |                    |
| 22               | 7.17            | 213TC                    | 213TC            | 213TC |          | 213TC                  | 785   | 340 | 23.4 |                    |                   |                   |  |                    |
| 21               | 6.85            | 213TC                    | 213TC            | 213TC |          | 213TC                  | 745   | 323 | 22.2 |                    |                   |                   |  |                    |
| 20               | 6.52            | 213TC                    | 213TC            | 213TC |          | 213TC                  | 715   | 310 | 21.3 |                    |                   |                   |  |                    |
| 19               | 6.19            | 5.00                     | 213TC            | 213TC | 5.00     | 213TC                  | 213TC | 685 | 297  | 20.4               |                   |                   |  |                    |
| 18               | 5.87            |                          | 213TC            | 213TC |          | 213TC                  | 213TC | 650 | 282  | 19.4               |                   |                   |  |                    |
| 17               | 5.54            |                          | 184TC            | 184TC |          | 213TC                  | 213TC | 615 | 266  | 18.4               |                   |                   |  |                    |
| 16               | 5.22            |                          | 184TC            | 184TC |          | 213TC                  | 213TC | 575 | 249  | 17.2               |                   |                   |  |                    |
| 15               | 4.89            | 5.00                     | 184TC            | 184TC | 5.00     | 184TC                  | 184TC | 540 | 234  | 16.1               |                   |                   |  |                    |
| 14               | 4.56            |                          | 184TC            | 184TC |          | 184TC                  | 184TC | 505 | 219  | 15.1               |                   |                   |  |                    |
| 13               | 4.24            |                          | 184TC            | 184TC |          | 184TC                  | 184TC | 470 | 204  | 14.0               |                   |                   |  |                    |
| 12               | 3.91            |                          | 184TC            | 184TC |          | 184TC                  | 184TC | 430 | 186  | 12.8               |                   |                   |  |                    |
| 11               | 3.59            | 3.00                     | 184TC            | 184TC | 3.00     | 184TC                  | 184TC | 395 | 171  | 11.8               |                   |                   |  |                    |
| 10               | 3.26            |                          | 56C              | 56C   |          | 184TC                  | 184TC | 360 | 156  | 10.7               |                   |                   |  |                    |
| 9                | 2.93            |                          | 56C              | 56C   |          | 56C                    | 56C   | 320 | 139  | 9.5                |                   |                   |  |                    |
| 8                | 2.61            |                          | 56C              | 56C   |          | 56C                    | 56C   | 285 | 123  | 8.5                |                   |                   |  |                    |
| 7                | 2.28            | 2.00                     | 56C              | 56C   | 2.00     | 56C                    | 56C   | 250 | 108  | 7.5                |                   |                   |  |                    |
| 6                | 1.96            |                          | 56C              | 56C   |          | 56C                    | 56C   | 220 | 95   | 6.6                |                   |                   |  |                    |
| 5                | 1.63            | 1.50                     | 56C              | 56C   | 1.50     | 56C                    | 56C   | 180 | 78   | 5.4                |                   |                   |  |                    |
| 4                | 1.30            |                          | 56C              | 56C   |          | 56C                    | 56C   | 145 | 63   | 4.3                |                   |                   |  |                    |
| 3                | 0.98            | 1.00                     | 56C              | 56C   | 1.00     | 56C                    | 56C   | 110 | 48   | 3.3                |                   |                   |  |                    |
| 2                | 0.65            | 0.75                     | 56C              | 56C   | 0.75     | 56C                    | 56C   | 70  | 30   | 2.1                |                   |                   |  |                    |

#### 10SV 3500 RPM

| No. of Impellers | Maximum HP draw | Motor Selection using SF |                  |       |          | Motor Selection 1.0 SF |       |      |      | Shutoff TDH (Feet) | Shutoff TDH (psi) | Shutoff TDH (Bar) | Casing/Sleeve Pressure Rating (standard assy.) | Pump Flange Rating |
|------------------|-----------------|--------------------------|------------------|-------|----------|------------------------|-------|------|------|--------------------|-------------------|-------------------|--|--------------------|
|                  |                 | Rated HP                 | NEMA Motor Frame |       | Rated HP | NEMA Motor Frame       |       |      |      |                    |                   |                   |  |                    |
|                  |                 |                          | ODP              | TEFC  |          | ODP                    | TEFC  |      |      |                    |                   |                   |  |                    |
| 20               | 17.84           | 20.00                    | 254TC            | 256TC | 20.00    | 254TC                  | 256TC | 1150 | 498  | 34.3               | 40 Bar (580 psi)  | Victaulic         |  |                    |
| 19               | 16.95           | 15.00                    | 215TC            | 254TC |          | 254TC                  | 256TC | 1095 | 474  | 32.7               |                   |                   |  |                    |
| 18               | 16.06           |                          | 215TC            | 254TC |          | 254TC                  | 256TC | 1035 | 448  | 30.9               |                   |                   |  |                    |
| 17               | 15.16           |                          | 215TC            | 254TC |          | 254TC                  | 256TC | 975  | 422  | 29.1               |                   |                   |  |                    |
| 16               | 14.27           |                          | 215TC            | 254TC | 15.00    | 215TC                  | 254TC | 920  | 398  | 27.5               |                   |                   |  |                    |
| 15               | 13.38           | 215TC                    | 254TC            | 215TC |          | 254TC                  | 860   | 372  | 25.7 |                    |                   |                   |  |                    |
| 14               | 12.49           | 10.00                    | 215TC            | 215TC |          | 215TC                  | 254TC | 805  | 349  | 24.0               |                   |                   |  |                    |
| 13               | 11.60           |                          | 215TC            | 215TC |          | 215TC                  | 254TC | 745  | 323  | 22.2               |                   |                   |  |                    |
| 12               | 10.70           |                          | 215TC            | 215TC | 215TC    | 254TC                  | 690   | 299  | 20.6 |                    |                   |                   |  |                    |
| 11               | 9.81            |                          | 215TC            | 215TC | 10.00    | 215TC                  | 215TC | 630  | 273  | 18.8               |                   |                   |  |                    |
| 10               | 8.92            | 215TC                    | 215TC            | 215TC |          | 215TC                  | 575   | 249  | 17.2 |                    |                   |                   |  |                    |
| 9                | 8.03            | 7.50                     | 213TC            | 213TC |          | 215TC                  | 215TC | 520  | 225  | 15.5               |                   |                   |  |                    |
| 8                | 7.14            |                          | 213TC            | 213TC |          | 213TC                  | 213TC | 460  | 199  | 13.7               |                   |                   |  |                    |
| 7                | 6.24            |                          | 213TC            | 213TC | 213TC    | 213TC                  | 400   | 173  | 11.9 |                    |                   |                   |  |                    |
| 6                | 5.35            |                          | 5.00             | 184TC | 184TC    | 213TC                  | 213TC | 340  | 147  | 10.1               |                   |                   |  |                    |
| 5                | 4.46            | 184TC                    |                  | 184TC | 184TC    | 184TC                  | 285   | 123  | 8.5  |                    |                   |                   |  |                    |
| 4                | 3.57            | 184TC                    |                  | 184TC | 184TC    | 184TC                  | 225   | 97   | 6.7  |                    |                   |                   |  |                    |
| 3                | 2.68            | 3.00                     |                  | 56C   | 56C      | 3.00                   | 56C   | 56C  | 170  | 74                 | 5.1               |                   |  |                    |
| 2                | 1.78            | 2.00                     | 56C              | 56C   | 2.00     | 56C                    | 56C   | 115  | 50   | 3.4                |                   |                   |  |                    |
| 1                | 0.89            | 0.75                     | 56C              | 56C   | 1.00     | 56C                    | 56C   | 60   | 26   | 1.8                |                   |                   |  |                    |

### TECHNICAL DATA - PUMP HYDRAULICS / MOTOR SIZING

#### 15SV 3500 RPM

| No. of Impellers | Maximum HP draw | Motor Selection using SF |                  |       |          | Motor Selection 1.0 SF |       |       | Shutoff TDH (Feet) | Shutoff TDH (psi) | Shutoff TDH (Bar) | Casing/Sleeve Pressure Rating (standard assy.) | Pump Flange Rating |
|------------------|-----------------|--------------------------|------------------|-------|----------|------------------------|-------|-------|--------------------|-------------------|-------------------|--|--------------------|
|                  |                 | Rated HP                 | NEMA Motor Frame |       | Rated HP | NEMA Motor Frame       |       |       |                    |                   |                   |  |                    |
|                  |                 |                          | ODP              | TEFC  |          | ODP                    | TEFC  |       |                    |                   |                   |  |                    |
| 15               | 28.50           | 25.00                    | 254TC            | 284TC | 30.00    | 284TC                  | 286TC | 1060  | 459                | 31.6              | 40 Bar (580 psi)  | Class 250 / 300                                |                    |
| 14               | 26.60           |                          | 254TC            | 284TC |          | 284TC                  | 286TC | 990   | 429                | 29.5              |                   |  |                    |
| 13               | 24.70           |                          | 254TC            | 284TC |          | 25.00                  | 254TC | 284TC | 915                | 396               |                   |  | 27.3               |
| 12               | 22.80           | 254TC                    | 256TC            | 254TC | 284TC    |                        | 850   | 368   | 25.4               |                   |                   |  |                    |
| 11               | 20.90           | 254TC                    | 256TC            | 254TC | 284TC    |                        | 780   | 338   | 23.3               |                   |                   |  |                    |
| 10               | 19.00           | 20.00                    | 254TC            | 256TC | 20.00    | 254TC                  | 256TC | 705   | 305                | 21.0              | 25 Bar (362 psi)  |  |                    |
| 9                | 17.10           |                          | 215TC            | 254TC |          | 254TC                  | 256TC | 635   | 275                | 18.9              |                   |  |                    |
| 8                | 15.20           |                          | 215TC            | 254TC |          | 15.00                  | 254TC | 256TC | 565                | 245               |                   |  | 16.9               |
| 7                | 13.30           | 215TC                    | 254TC            | 215TC | 254TC    |                        | 485   | 210   | 14.5               |                   |                   |  |                    |
| 6                | 11.40           | 215TC                    | 215TC            | 215TC | 254TC    |                        | 420   | 182   | 12.5               |                   |                   |  |                    |
| 5                | 9.50            | 10.00                    | 215TC            | 215TC | 10.00    | 215TC                  | 215TC | 345   | 149                | 10.3              |                   |  |                    |
| 4                | 7.60            |                          | 7.50             | 213TC |          | 213TC                  | 215TC | 215TC | 275                | 119               |                   |  | 8.2                |
| 3                | 5.70            |                          | 5.00             | 184TC |          | 184TC                  | 7.50  | 213TC | 213TC              | 210               |                   |  | 91                 |
| 2                | 3.80            | 184TC                    |                  | 184TC | 5.00     | 184TC                  | 184TC | 140   | 61                 | 4.2               |                   |  |                    |
| 1                | 1.90            | 2.00                     |                  | 56C   | 56C      | 2.00                   | 56C   | 56C   | 70                 | 30                | 2.1               |  |                    |

#### 22SV 3500 RPM

| No. of Impellers | Maximum HP draw | Motor Selection using SF |                  |       |          | Motor Selection 1.0 SF |       |       | Shutoff TDH (Feet) | Shutoff TDH (psi) | Shutoff TDH (Bar) | Casing/Sleeve Pressure Rating (standard assy.) | Pump Flange Rating |
|------------------|-----------------|--------------------------|------------------|-------|----------|------------------------|-------|-------|--------------------|-------------------|-------------------|--|--------------------|
|                  |                 | Rated HP                 | NEMA Motor Frame |       | Rated HP | NEMA Motor Frame       |       |       |                    |                   |                   |  |                    |
|                  |                 |                          | ODP              | TEFC  |          | ODP                    | TEFC  |       |                    |                   |                   |  |                    |
| 12               | 28.92           | 25.00                    | 254TC            | 284TC | 30.00    | 284TC                  | 286TC | 880   | 381                | 26.3              | 40 Bar (580 psi)  | Class 250 / 300                                |                    |
| 11               | 26.51           |                          | 254TC            | 284TC |          | 284TC                  | 286TC | 810   | 351                | 24.2              |                   |  |                    |
| 10               | 24.10           |                          | 254TC            | 284TC |          | 25.00                  | 254TC | 284TC | 735                | 318               |                   |  | 21.9               |
| 9                | 21.69           | 254TC                    | 256TC            | 254TC | 284TC    |                        | 660   | 286   | 19.7               |                   |                   |  |                    |
| 8                | 19.28           | 254TC                    | 256TC            | 20.00 | 254TC    |                        | 256TC | 585   | 253                | 17.5              |                   |  |                    |
| 7                | 16.87           | 215TC                    | 254TC            |       | 254TC    | 256TC                  | 515   | 223   | 15.4               |                   |                   |  |                    |
| 6                | 14.46           | 15.00                    | 215TC            |       | 254TC    | 15.00                  | 215TC | 254TC | 440                | 191               | 13.1              |  | 25 Bar (362 psi)   |
| 5                | 12.05           |                          | 215TC            | 254TC | 215TC    |                        | 254TC | 365   | 158                | 10.9              |                   |  |                    |
| 4                | 9.64            |                          | 10.00            | 215TC | 215TC    |                        | 10.00 | 215TC | 215TC              | 295               | 128               |  |                    |
| 3                | 7.23            | 7.50                     | 213TC            | 213TC | 7.50     | 213TC                  | 213TC | 220   | 95                 | 6.6               |                   |  |                    |
| 2                | 4.82            | 5.00                     | 184TC            | 184TC | 5.00     | 184TC                  | 184TC | 245   | 106                | 7.3               |                   |  |                    |
| 1                | 2.41            | 3.00                     | 56C              | 56C   | 3.00     | 56C                    | 56C   | 70    | 30                 | 2.1               |                   |  |                    |

### TECHNICAL DATA - PUMP HYDRAULICS / MOTOR SIZING

#### 33SV 3500 RPM

| # of Impellers / # reduced Diameter | Maximum HP Draw | Motor HP for use with 1.15 SF Motor | Motor HP for use with Hydrovar (1.0 SF) | Shutoff TDH (Feet) | Shutoff TDH (Bar) | Casing / Sleeve Pressure rating (Standard Assy.) | Stages requiring Thrust Balancing Piston | Pump Flange Rating |      |    |
|-------------------------------------|-----------------|-------------------------------------|---|--------------------|-------------------|--|--|--------------------|------|----|
| 10                                  | 54.3            | 50                                  | 60                                      | 1125               | 34                | 40 Bar (580 PSI)                                 | Thrust Piston Required                   | Class 250 / 300    |      |    |
| 10/2                                | 52.8            |                                     |   | 1096               | 33                |  |  |                    |      |    |
| 10/1                                | 51.3            |                                     |   | 1066               | 32                |  |  |                    |      |    |
| 9                                   | 48.8            |                                     |   | 50                 | 50                |  |  |                    | 1012 | 30 |
| 9/1                                 | 47.4            |                                     |   |                    |                   |  |  |                    | 983  | 29 |
| 9/2                                 | 45.9            |                                     |   |                    |                   |  |  |                    | 954  | 28 |
| 8                                   | 43.4            | 900                                 | 27                                      |                    |                   |  |  |                    |      |    |
| 8/1                                 | 41.9            | 40                                  | 40                                      |                    |                   |  |  |                    | 871  | 26 |
| 8/2                                 | 40.5            |                                     |   |                    |                   |  |  |                    | 842  | 25 |
| 7                                   | 38              |                                     |   | 787                | 23                |  |  |                    |      |    |
| 7/1                                 | 36.5            |                                     |   | 758                | 23                |  |  |                    |      |    |
| 7/2                                 | 35              |                                     |   | 729                | 22                |  |  |                    |      |    |
| 6                                   | 32.6            |                                     |   | 30                 | 30                | 576  | 20                                       |                    |      |    |
| 6/1                                 | 31.1            | 646                                 | 19                                      |                    |                   |  |  |                    |      |    |
| 6/2                                 | 29.6            | 617                                 | 18                                      |                    |                   |  |  |                    |      |    |
| 5                                   | 27.1            | 25                                  | 25                                      |                    |                   | 562  | 17                                       |                    |      |    |
| 5/1                                 | 25.7            |                                     |   |                    |                   | 533  | 16                                       |                    |      |    |
| 5/2                                 | 24.2            |                                     |   |                    |                   | 504  | 15                                       |                    |      |    |
| 4                                   | 21.7            |                                     |   | 450                | 13                |  |  |                    |      |    |
| 4/1                                 | 20.2            |                                     |   | 20                 | 20                | 421  | 13                                       |                    |      |    |
| 4/2                                 | 18.8            |                                     |   |                    |                   | 392  | 12                                       |                    |      |    |
| 3                                   | 16.3            | 337                                 | 10                                      |                    |                   |  |  |                    |      |    |
| 3/1                                 | 14.7            | 15                                  | 15                                      |                    |                   | 310  | 9  |                    |      |    |
| 3/2                                 | 13.2            |                                     |   |                    |                   | 281  | 8  |                    |      |    |
| 2                                   | 10.9            |                                     |   |                    |                   | 225  | 7  |                    |      |    |
| 2/1                                 | 9.4             |                                     |   | 10                 | 10                | 196  | 6  |                    |      |    |
| 2/2                                 | 7.9             |                                     |   |                    |                   | 167  | 5  |                    |      |    |
| 1                                   | 5.4             |                                     |   |                    |                   | 7.5  | 113                                      | 3                  |      |    |
| 1/1                                 | 4               | 5                                   | 5                                       |                    |                   | 84   | 3  |                    |      |    |
|                                     |                 |                                     |   |                    |                   |  |  |                    |      |    |

① Pump assembly may be modified for 40 bar (580 psi) application - contact factory.



### TECHNICAL DATA - PUMP HYDRAULICS / MOTOR SIZING

#### 46SV 3500 RPM

| # of Impellers / # reduced Diameter | Maximum HP Draw | Motor HP for use with 1.15 SF Motor | Motor HP for use with Hydrovar (1.0 SF) | Shutoff TDH (Feet) | Shutoff TDH (Bar) | Casing / Sleeve Pressure rating (Standard Assy.) | Stages requiring Thrust Balancing Piston | Pump Flange Rating |                       |                        |                 |                       |                        |                 |                       |  |                 |
|-------------------------------------|-----------------|-------------------------------------|---|--------------------|-------------------|--|--|--------------------|-----------------------|------------------------|-----------------|-----------------------|------------------------|-----------------|-----------------------|--|-----------------|
| 10/2                                | 77.8            | 75                                  | 75                                      | 1210               | 36.1              | 40 Bar (580 PSI)                                 | Thrust Piston Required                   | Class 250 / 300    |                       |                        |                 |                       |                        |                 |                       |  |                 |
| 9                                   | 73.2            |                                     |   | 1137               | 33.9              |  |  |                    |                       |                        |                 |                       |                        |                 |                       |  |                 |
| 9/1                                 | 71.5            |                                     |   | 1111               | 33.2              |  |  |                    |                       |                        |                 |                       |                        |                 |                       |  |                 |
| 9/2                                 | 69.7            |                                     |   | 1085               | 32.4              |  |  |                    |                       |                        |                 |                       |                        |                 |                       |  |                 |
| 8                                   | 65              | 60                                  | 60                                      | 1010               | 30.2              |  |  |                    | 40 Bar (580 PSI)      | Thrust Piston Required | Class 250 / 300 |                       |                        |                 |                       |  |                 |
| 8/1                                 | 63.3            |                                     |   | 984                | 29.4              |  |  |                    |                       |                        |                 |                       |                        |                 |                       |  |                 |
| 8/2                                 | 61.6            |                                     |   | 959                | 28.6              |  |  |                    |                       |                        |                 |                       |                        |                 |                       |  |                 |
| 7                                   | 56.9            |                                     |   | 884                | 26.4              |  |  |                    |                       |                        |                 |                       |                        |                 |                       |  |                 |
| 7/1                                 | 55.2            | 50                                  | 50                                      | 858                | 25.6              |  |  |                    |                       |                        |                 | 40 Bar (580 PSI)      | Thrust Piston Required | Class 250 / 300 |                       |  |                 |
| 7/2                                 | 53.4            |                                     |   | 832                | 24.8              |  |  |                    |                       |                        |                 |                       |                        |                 |                       |  |                 |
| 6                                   | 48.8            |                                     |   | 758                | 22.6              |  |  |                    |                       |                        |                 |                       |                        |                 |                       |  |                 |
| 6/1                                 | 47.1            |                                     |   | 732                | 21.9              |  |  |                    |                       |                        |                 |                       |                        |                 |                       |  |                 |
| 6/2                                 | 45.3            | 40                                  | 40                                      | 706                | 21.1              |  |  |                    |                       |                        |                 |                       |                        |                 | 25 Bar (362 PSI)<br>① |  | Class 125 / 150 |
| 5                                   | 40.7            |                                     |   | 632                | 18.9              |  |  |                    |                       |                        |                 |                       |                        |                 |                       |  |                 |
| 5/1                                 | 38.9            |                                     |   | 605                | 18.1              |  |  |                    |                       |                        |                 |                       |                        |                 |                       |  |                 |
| 5/2                                 | 37.2            |                                     |   | 580                | 17.3              |  |  |                    |                       |                        |                 |                       |                        |                 |                       |  |                 |
| 4                                   | 32.5            | 30                                  | 30                                      | 505                | 15.1              | 25 Bar (362 PSI)<br>①                            |  | Class 125 / 150    |                       |                        |                 |                       |                        |                 |                       |  |                 |
| 4/1                                 | 30.8            |                                     |   | 479                | 14.3              |  |  |                    |                       |                        |                 |                       |                        |                 |                       |  |                 |
| 4/2                                 | 29              |                                     |   | 453                | 13.5              |  |  |                    |                       |                        |                 |                       |                        |                 |                       |  |                 |
| 3                                   | 24.4            |                                     |   | 379                | 11.3              |  |  |                    |                       |                        |                 |                       |                        |                 |                       |  |                 |
| 3/1                                 | 22.7            | 20                                  | 20                                      | 353                | 10.5              |  |  |                    | 25 Bar (362 PSI)<br>① |                        | Class 125 / 150 |                       |                        |                 |                       |  |                 |
| 3/2                                 | 20.9            |                                     |   | 327                | 9.8               |  |  |                    |                       |                        |                 |                       |                        |                 |                       |  |                 |
| 2                                   | 16.3            | 15                                  | 15                                      | 253                | 7.6               |  |  |                    |                       |                        |                 | 25 Bar (362 PSI)<br>① |                        | Class 125 / 150 |                       |  |                 |
| 2/1                                 | 14.5            |                                     |   | 226                | 6.7               |  |  |                    |                       |                        |                 |                       |                        |                 |                       |  |                 |
| 2/2                                 | 12.8            |                                     |   | 200                | 6.0               |  |  |                    |                       |                        |                 |                       |                        |                 |                       |  |                 |
| 1                                   | 8.5             |                                     |   | 10                 | 10                |  |  |                    |                       |                        |                 |                       |                        |                 |                       |  |                 |
| 1/1                                 | 6.7             | 7.5                                 | 7.5                                     | 102                | 3.0               |  |  |                    |                       |                        |                 |                       |                        |                 | 25 Bar (362 PSI)<br>① |  | Class 125 / 150 |

#### 66SV 3500 RPM

| # of Impellers / # reduced Diameter | Maximum HP Draw | Motor HP for use with 1.15 SF Motor | Motor HP for use with Hydrovar (1.0 SF) | Shutoff TDH (Feet) | Shutoff TDH (Bar) | Casing / Sleeve Pressure rating (Standard Assy.) | Stages requiring Thrust Balancing Piston | Pump Flange Rating |                       |  |                 |                       |  |                 |                       |  |                 |
|-------------------------------------|-----------------|-------------------------------------|---|--------------------|-------------------|--|--|--------------------|-----------------------|--|-----------------|-----------------------|--|-----------------|-----------------------|--|-----------------|
| 6                                   | 73.2            | 75                                  | 75                                      | 850                | 25.4              | 40 Bar (580 PSI)                                 | Thrust Piston Required                   | Class 250 / 300    |                       |  |                 |                       |  |                 |                       |  |                 |
| 6/1                                 | 70.2            |                                     |   | 822                | 24.5              |  |  |                    |                       |  |                 |                       |  |                 |                       |  |                 |
| 6/2                                 | 67.2            |                                     |   | 796                | 23.8              |  |  |                    |                       |  |                 |                       |  |                 |                       |  |                 |
| 5                                   | 61              | 60                                  | 60                                      | 707                | 21.1              |  |  |                    | 25 Bar (362 PSI)<br>① |  | Class 125 / 150 |                       |  |                 |                       |  |                 |
| 5/1                                 | 58              |                                     |   | 681                | 20.3              |  |  |                    |                       |  |                 |                       |  |                 |                       |  |                 |
| 5/2                                 | 55              |                                     |   | 655                | 19.6              |  |  |                    |                       |  |                 |                       |  |                 |                       |  |                 |
| 4                                   | 48.8            | 50                                  | 50                                      | 566                | 16.9              | 25 Bar (362 PSI)<br>①                            |  | Class 125 / 150    |                       |  |                 |                       |  |                 |                       |  |                 |
| 4/1                                 | 45.8            |                                     |   | 540                | 16.1              |  |  |                    |                       |  |                 |                       |  |                 |                       |  |                 |
| 4/2                                 | 42.8            |                                     |   | 513                | 15.3              |  |  |                    |                       |  |                 |                       |  |                 |                       |  |                 |
| 3                                   | 36.6            | 40                                  | 40                                      | 424                | 12.7              |  |  |                    |                       |  |                 | 25 Bar (362 PSI)<br>① |  | Class 125 / 150 |                       |  |                 |
| 3/1                                 | 33.6            |                                     |   | 398                | 11.9              |  |  |                    |                       |  |                 |                       |  |                 |                       |  |                 |
| 3/2                                 | 30.6            |                                     |   | 372                | 11.1              |  |  |                    |                       |  |                 |                       |  |                 |                       |  |                 |
| 2                                   | 24.4            | 25                                  | 25                                      | 283                | 8.4               |  |  |                    |                       |  |                 |                       |  |                 | 25 Bar (362 PSI)<br>① |  | Class 125 / 150 |
| 2/1                                 | 21.4            |                                     |   | 257                | 7.7               |  |  |                    |                       |  |                 |                       |  |                 |                       |  |                 |
| 2/2                                 | 18.4            |                                     |   | 230                | 6.9               |  |  |                    |                       |  |                 |                       |  |                 |                       |  |                 |
| 1                                   | 12.2            | 15                                  | 15                                      | 142                | 4.2               |  |  |                    | 25 Bar (362 PSI)<br>① |  | Class 125 / 150 |                       |  |                 |                       |  |                 |
| 1/1                                 | 9.2             |                                     |   | 10                 | 10                |  |  |                    |                       |  |                 |                       |  |                 |                       |  |                 |

① Pump assembly may be modified for 40 bar (580 psi) application - contact factory.

## Commercial Water

### TECHNICAL DATA - PUMP HYDRAULICS / MOTOR SIZING

#### 92SV 3500 RPM

| # of Impellers / # reduced Diameter | Maximum HP Draw | Motor HP for use with 1.15 SF Motor | Motor HP for use with Hydrovar (1.0 SF) | Shutoff TDH (Feet) | Shutoff TDH (Bar) | Casing / Sleeve Pressure rating (Standard Assy.) | Stages requiring Thrust Balancing Piston | Pump Flange Rating |
|-------------------------------------|-----------------|-------------------------------------|---|--------------------|-------------------|--|--|--------------------|
| 5/1                                 | 73.8            | 75                                  | 75                                      | 732                | 21.9              | 25 Bar (362 PSI)<br>①                            | Thrust Piston Required                   | Class 250 / 300    |
| 5/2                                 | 70.3            |                                     |   | 707                | 21.1              |  |  |                    |
| 4                                   | 61.9            |                                     |   | 605                | 18.1              |  |  |                    |
| 4/1                                 | 58.3            | 60                                  | 580                                     | 17.3               |                   |  |  |                    |
| 4/2                                 | 54.8            |                                     | 556                                     | 16.6               |                   |  |  |                    |
| 3                                   | 46.5            | 50                                  | 50                                      | 454                | 13.6              |  |  |                    |
| 3/1                                 | 42.9            | 40                                  | 40                                      | 429                | 12.8              |  |  |                    |
| 3/2                                 | 39.4            |                                     |   | 405                | 12.1              |  |  |                    |
| 2                                   | 31              | 30                                  | 30                                      | 305                | 9.1               |  |  |                    |
| 2/1                                 | 27.4            |                                     |   | 278                | 8.3               |  |  |                    |
| 2/2                                 | 23.4            | 25                                  | 25                                      | 253                | 7.6               |  |  |                    |
| 1                                   | 15.5            | 15                                  | 15                                      | 151                | 4.5               |  |  |                    |
| 1/1                                 | 12              |                                     |   | 127                | 3.8               |  |  |                    |

① Pump assembly may be modified for 40 bar (580 psi) application - contact factory.

#### 125SV 3500 RPM

| No. of Impellers | Maximum HP draw | Motor Selection using SF |                  | Motor Selection 1.0 SF |                 | Shutoff TDH (Feet) | Shutoff TDH (psi) | Shutoff TDH (Bar) | Casing/Sleeve Pressure Rating (standard assy.) | Pump Flange Rating |                  |      |
|------------------|-----------------|--------------------------|------------------|------------------------|-----------------|--------------------|-------------------|-------------------|--|--------------------|------------------|------|
|                  |                 | Rated HP                 | NEMA Motor Frame |                        | Rated HP        |                    |                   |                   |  |                    | NEMA Motor Frame |      |
|                  |                 |                          | ODP              | TEFC                   |                 |                    |                   |                   |  |                    | ODP              | TEFC |
| 5/0C             | 82.32           | 75                       | 364TSC           | 365TSC                 | Contact Factory |                    | 643               | 278               | 19.2   | 25 Bar (362 psi)   | Class 250 / 300  |      |
| 5/5B             | 67.84           | 60                       | 324TSC           | 326TSC                 | 75              | 364TSC             | 365TSC            | 555               | 240  |                    |                  | 16.6 |
| 4/3B             | 57.35           | 50                       | 324TSC           | 326TSC                 | 60              | 324TSC             | 326TSC            | 461               | 200  |                    |                  | 13.8 |
| 3/3A             | 45.60           | 40                       | 286TC            | 286TC                  | 50              | 324TSC             | 326TSC            | 358               | 155  |                    | 10.7             |      |
| 2/0C             | 34.79           | 30                       | 284TC            | 286TC                  | 40              | 286TC              | 286TC             | 263               | 114  |                    | 7.8              |      |
| 1/0C             | 17.40           | 15                       | 215TC            | 254TC                  | 20              | 254TC              | 256TC             | 131               | 57   | 3.9                | Class 125 / 150  |      |

### TECHNICAL DATA - PUMP HYDRAULICS / MOTOR SIZING

#### 1SV 1750 RPM

| No. of Impellers | Maximum HP draw | Motor Selection using SF |                  | Motor Selection 1.0 SF |          | Shutoff TDH (Feet) | Shutoff TDH (psi) | Shutoff TDH (Bar) | Casing/Sleeve Pressure Rating (standard assy.) | Pump Flange Rating |                  |                 |
|------------------|-----------------|--------------------------|------------------|------------------------|----------|--------------------|-------------------|-------------------|--|--------------------|------------------|-----------------|
|                  |                 | Rated HP                 | NEMA Motor Frame |                        | Rated HP |                    |                   |                   |  |                    | NEMA Motor Frame |                 |
|                  |                 |                          | ODP              | TEFC                   |          |                    |                   |                   |  |                    | ODP              | TEFC            |
| 30               | 0.44            | 0.50                     | 56C              | 56C                    | 0.50     | 56C                | 56C               | 210               | 91   | 6.3                | 25 Bar (362 psi) | Class 250 / 300 |
| 29               | 0.43            |                          | 56C              | 56C                    |          | 56C                | 56C               | 203               | 88   | 6.1                |                  |                 |
| 28               | 0.41            |                          | 56C              | 56C                    |          | 56C                | 56C               | 196               | 85   | 5.8                |                  |                 |
| 27               | 0.40            |                          | 56C              | 56C                    |          | 56C                | 56C               | 189               | 82   | 5.6                |                  |                 |
| 26               | 0.38            |                          | 56C              | 56C                    |          | 56C                | 56C               | 181               | 78   | 5.4                |                  |                 |
| 25               | 0.37            |                          | 56C              | 56C                    |          | 56C                | 56C               | 175               | 76   | 5.2                |                  |                 |
| 24               | 0.36            |                          | 56C              | 56C                    |          | 56C                | 56C               | 168               | 73   | 5.0                |                  |                 |
| 23               | 0.34            |                          | 56C              | 56C                    |          | 56C                | 56C               | 162               | 70   | 4.8                |                  |                 |
| 22               | 0.33            |                          | 56C              | 56C                    |          | 56C                | 56C               | 155               | 67   | 4.6                |                  |                 |
| 21               | 0.31            |                          | 56C              | 56C                    |          | 56C                | 56C               | 148               | 64   | 4.4                |                  |                 |
| 20               | 0.30            |                          | 56C              | 56C                    |          | 56C                | 56C               | 141               | 61   | 4.2                |                  |                 |
| 19               | 0.28            |                          | 56C              | 56C                    |          | 56C                | 56C               | 134               | 58   | 4.0                |                  |                 |
| 18               | 0.27            |                          | 56C              | 56C                    |          | 56C                | 56C               | 127               | 55   | 3.8                |                  |                 |
| 17               | 0.25            |                          | 56C              | 56C                    |          | 56C                | 56C               | 120               | 52   | 3.6                |                  |                 |
| 15               | 0.22            |                          | 56C              | 56C                    |          | 56C                | 56C               | 107               | 46   | 3.2                |                  |                 |
| 14               | 0.21            |                          | 56C              | 56C                    |          | 56C                | 56C               | 100               | 43   | 3.0                |                  |                 |
| 13               | 0.19            |                          | 56C              | 56C                    |          | 56C                | 56C               | 93                | 40   | 2.8                |                  |                 |
| 12               | 0.18            |                          | 56C              | 56C                    |          | 56C                | 56C               | 86                | 37   | 2.6                |                  |                 |
| 11               | 0.16            |                          | 56C              | 56C                    |          | 56C                | 56C               | 79                | 34   | 2.4                |                  |                 |
| 10               | 0.15            |                          | 56C              | 56C                    |          | 56C                | 56C               | 72                | 31   | 2.1                |                  |                 |
| 9                | 0.13            | 56C                      | 56C              | 56C                    | 56C      | 65                 | 28                | 1.9               |  |                    |                  |                 |
| 8                | 0.12            | 56C                      | 56C              | 56C                    | 56C      | 58                 | 25                | 1.7               |  |                    |                  |                 |
| 7                | 0.10            | 56C                      | 56C              | 56C                    | 56C      | 50                 | 22                | 1.5               |  |                    |                  |                 |
| 6                | 0.09            | 56C                      | 56C              | 56C                    | 56C      | 43                 | 19                | 1.3               |  |                    |                  |                 |
| 5                | 0.07            | 56C                      | 56C              | 56C                    | 56C      | 36                 | 16                | 1.1               |  |                    |                  |                 |
| 4                | 0.06            | 56C                      | 56C              | 56C                    | 56C      | 29                 | 13                | 0.9               |  |                    |                  |                 |
| 3                | 0.04            | 56C                      | 56C              | 56C                    | 56C      | 22                 | 10                | 0.7               |  |                    |                  |                 |
| 2                | 0.03            | 56C                      | 56C              | 56C                    | 56C      | 15                 | 6                 | 0.4               |  |                    |                  |                 |

#### 3SV 1750 RPM

| No. of Impellers | Maximum HP draw | Motor Selection using SF |                  | Motor Selection 1.0 SF |          | Shutoff TDH (Feet) | Shutoff TDH (psi) | Shutoff TDH (Bar) | Casing/Sleeve Pressure Rating (standard assy.) | Pump Flange Rating |                  |                 |
|------------------|-----------------|--------------------------|------------------|------------------------|----------|--------------------|-------------------|-------------------|--|--------------------|------------------|-----------------|
|                  |                 | Rated HP                 | NEMA Motor Frame |                        | Rated HP |                    |                   |                   |  |                    | NEMA Motor Frame |                 |
|                  |                 |                          | ODP              | TEFC                   |          |                    |                   |                   |  |                    | ODP              | TEFC            |
| 30               | 0.73            | 0.75                     | 56C              | 56C                    | 0.75     | 56C                | 56C               | 267               | 116  | 8.0                | 25 Bar (362 psi) | Class 250 / 300 |
| 29               | 0.71            |                          | 56C              | 56C                    |          | 56C                | 56C               | 257               | 111  | 7.7                |                  |                 |
| 28               | 0.68            |                          | 56C              | 56C                    |          | 56C                | 56C               | 249               | 108  | 7.4                |                  |                 |
| 27               | 0.66            |                          | 56C              | 56C                    |          | 56C                | 56C               | 240               | 104  | 7.2                |                  |                 |
| 26               | 0.63            |                          | 56C              | 56C                    |          | 56C                | 56C               | 231               | 100  | 6.9                |                  |                 |
| 25               | 0.61            |                          | 56C              | 56C                    |          | 56C                | 56C               | 222               | 96   | 6.6                |                  |                 |
| 24               | 0.59            |                          | 56C              | 56C                    |          | 56C                | 56C               | 213               | 92   | 6.4                |                  |                 |
| 23               | 0.56            |                          | 56C              | 56C                    |          | 56C                | 56C               | 204               | 88   | 6.1                |                  |                 |
| 22               | 0.54            |                          | 56C              | 56C                    |          | 56C                | 56C               | 194               | 84   | 5.8                |                  |                 |
| 21               | 0.51            |                          | 56C              | 56C                    |          | 56C                | 56C               | 184               | 80   | 5.5                |                  |                 |
| 20               | 0.49            | 56C                      | 56C              | 56C                    | 56C      | 167                | 72                | 5.0               |  |                    |                  |                 |
| 19               | 0.46            | 56C                      | 56C              | 56C                    | 56C      | 162                | 70                | 4.8               |  |                    |                  |                 |
| 18               | 0.44            | 56C                      | 56C              | 56C                    | 56C      | 156                | 68                | 4.7               |  |                    |                  |                 |
| 17               | 0.41            | 56C                      | 56C              | 56C                    | 56C      | 150                | 65                | 4.5               |  |                    |                  |                 |
| 16               | 0.39            | 56C                      | 56C              | 56C                    | 56C      | 141                | 61                | 4.2               |  |                    |                  |                 |
| 15               | 0.37            | 56C                      | 56C              | 56C                    | 56C      | 132                | 57                | 3.9               |  |                    |                  |                 |
| 14               | 0.34            | 56C                      | 56C              | 56C                    | 56C      | 124                | 54                | 3.7               |  |                    |                  |                 |
| 13               | 0.32            | 56C                      | 56C              | 56C                    | 56C      | 115                | 50                | 3.4               |  |                    |                  |                 |
| 12               | 0.29            | 56C                      | 56C              | 56C                    | 56C      | 105                | 45                | 3.1               |  |                    |                  |                 |
| 11               | 0.27            | 56C                      | 56C              | 0.50                   | 56C      | 56C                | 97                | 42                | 2.9  |                    |                  |                 |
| 10               | 0.24            | 56C                      | 56C              |                        | 56C      | 56C                | 89                | 39                | 2.7  |                    |                  |                 |
| 9                | 0.22            | 56C                      | 56C              |                        | 56C      | 56C                | 80                | 35                | 2.4  |                    |                  |                 |
| 8                | 0.20            | 56C                      | 56C              |                        | 56C      | 56C                | 71                | 31                | 2.1  |                    |                  |                 |
| 7                | 0.17            | 56C                      | 56C              |                        | 56C      | 56C                | 63                | 27                | 1.9  |                    |                  |                 |
| 6                | 0.15            | 56C                      | 56C              |                        | 56C      | 56C                | 54                | 23                | 1.6  |                    |                  |                 |
| 5                | 0.12            | 56C                      | 56C              |                        | 56C      | 56C                | 45                | 19                | 1.3  |                    |                  |                 |
| 4                | 0.10            | 56C                      | 56C              |                        | 56C      | 56C                | 36                | 16                | 1.1  |                    |                  |                 |
| 3                | 0.07            | 56C                      | 56C              |                        | 56C      | 56C                | 28                | 12                | 0.8  |                    |                  |                 |
| 2                | 0.05            | 56C                      | 56C              |                        | 56C      | 56C                | 19                | 8                 | 0.6  |                    |                  |                 |

## Commercial Water

### TECHNICAL DATA - PUMP HYDRAULICS / MOTOR SIZING

#### 5SV 1750 RPM

| No. of Impellers | Maximum HP draw | Motor Selection using SF |                  | Motor Selection 1.0 SF |          | Shutoff TDH (Feet) | Shutoff TDH (psi) | Shutoff TDH (Bar) | Casing/Sleeve Pressure Rating (standard assy.) | Pump Flange Rating |                  |                 |     |
|------------------|-----------------|--------------------------|------------------|------------------------|----------|--------------------|-------------------|-------------------|--|--------------------|------------------|-----------------|-----|
|                  |                 | Rated HP                 | NEMA Motor Frame |                        | Rated HP |                    |                   |                   |  |                    | NEMA Motor Frame |                 |     |
|                  |                 |                          | ODP              | TEFC                   |          |                    |                   |                   |  |                    | ODP              | TEFC            |     |
| 27               | 1.02            | 1.00                     | 56C              | 56C                    | 1.50     | 56C                | 56C               | 239               | 104  | 7.1                | 25 Bar (362 psi) | Class 250 / 300 |     |
| 26               | 0.98            |                          | 56C              | 56C                    |          | 56C                | 56C               | 230               | 100  | 6.9                |                  |                 |     |
| 25               | 0.94            |                          | 56C              | 56C                    |          | 1.00               | 56C               | 56C               | 220  | 95                 |                  |                 | 6.6 |
| 24               | 0.90            |                          | 56C              | 56C                    |          |                    | 56C               | 56C               | 212  | 92                 |                  |                 | 6.3 |
| 23               | 0.87            |                          | 56C              | 56C                    |          |                    | 56C               | 56C               | 203  | 88                 |                  |                 | 6.1 |
| 22               | 0.83            |                          | 56C              | 56C                    |          |                    | 56C               | 56C               | 195  | 84                 |                  |                 | 5.8 |
| 21               | 0.79            | 56C                      | 56C              | 0.75                   | 56C      |                    | 56C               | 186               | 81   | 5.6                |                  |                 |     |
| 20               | 0.75            | 56C                      | 56C              |                        | 56C      |                    | 56C               | 177               | 77   | 5.3                |                  |                 |     |
| 19               | 0.72            | 56C                      | 56C              |                        | 56C      | 56C                | 167               | 72                | 5.0  |                    |                  |                 |     |
| 18               | 0.68            | 56C                      | 56C              |                        | 56C      | 56C                | 159               | 69                | 4.7  |                    |                  |                 |     |
| 17               | 0.64            | 56C                      | 56C              |                        | 56C      | 56C                | 150               | 65                | 4.5  |                    |                  |                 |     |
| 16               | 0.60            | 56C                      | 56C              |                        | 0.50     | 56C                | 56C               | 142               | 61   | 4.2                |                  |                 |     |
| 15               | 0.57            | 56C                      | 56C              | 56C                    |          | 56C                | 133               | 58                | 4.0  |                    |                  |                 |     |
| 14               | 0.53            | 56C                      | 56C              | 56C                    |          | 56C                | 124               | 54                | 3.7  |                    |                  |                 |     |
| 13               | 0.49            | 56C                      | 56C              | 0.50                   |          | 56C                | 56C               | 114               | 49   | 3.4                |                  |                 |     |
| 12               | 0.45            | 56C                      | 56C              |                        |          | 56C                | 56C               | 106               | 46   | 3.2                |                  |                 |     |
| 11               | 0.41            | 56C                      | 56C              |                        |          | 56C                | 56C               | 97                | 42   | 2.9                |                  |                 |     |
| 10               | 0.38            | 56C                      | 56C              |                        | 56C      | 56C                | 88                | 38                | 2.6  |                    |                  |                 |     |
| 9                | 0.34            | 56C                      | 56C              |                        | 56C      | 56C                | 79                | 34                | 2.4  |                    |                  |                 |     |
| 8                | 0.30            | 56C                      | 56C              |                        | 0.50     | 56C                | 56C               | 71                | 31   | 2.1                |                  |                 |     |
| 7                | 0.26            | 56C                      | 56C              | 56C                    |          | 56C                | 62                | 27                | 1.9  |                    |                  |                 |     |
| 6                | 0.23            | 56C                      | 56C              | 56C                    |          | 56C                | 54                | 23                | 1.6  |                    |                  |                 |     |
| 5                | 0.19            | 56C                      | 56C              | 56C                    |          | 56C                | 45                | 19                | 1.3  |                    |                  |                 |     |
| 4                | 0.15            | 56C                      | 56C              | 56C                    |          | 56C                | 37                | 16                | 1.1  |                    |                  |                 |     |
| 3                | 0.11            | 56C                      | 56C              | 56C                    |          | 56C                | 28                | 12                | 0.8  |                    |                  |                 |     |
| 2                | 0.08            | 56C                      | 56C              | 56C                    | 56C      | 19                 | 8                 | 0.6               |  |                    |                  |                 |     |

#### 10SV 1750 RPM

| No. of Impellers | Maximum HP draw | Motor Selection using SF |                  | Motor Selection 1.0 SF |          | Shutoff TDH (Feet) | Shutoff TDH (psi) | Shutoff TDH (Bar) | Casing/Sleeve Pressure Rating (standard assy.) | Pump Flange Rating |                  |                 |     |     |
|------------------|-----------------|--------------------------|------------------|------------------------|----------|--------------------|-------------------|-------------------|--|--------------------|------------------|-----------------|-----|-----|
|                  |                 | Rated HP                 | NEMA Motor Frame |                        | Rated HP |                    |                   |                   |  |                    | NEMA Motor Frame |                 |     |     |
|                  |                 |                          | ODP              | TEFC                   |          |                    |                   |                   |  |                    | ODP              | TEFC            |     |     |
| 20               | 2.34            | 3.00                     | 56C              | 56C                    | 3.00     | 56C                | 56C               | 286               | 124  | 8.5                | 25 Bar (362 psi) | Class 250 / 300 |     |     |
| 19               | 2.22            |                          | 2.00             | 56C                    |          | 56C                | 56C               | 56C               | 272  | 118                |                  |                 | 8.1 |     |
| 18               | 2.11            |                          |                  | 56C                    |          | 56C                | 2.00              | 56C               | 56C  | 257                |                  |                 | 111 | 7.7 |
| 17               | 1.99            |                          |                  | 56C                    |          | 56C                |                   | 56C               | 56C  | 243                |                  |                 | 105 | 7.3 |
| 16               | 1.87            |                          |                  | 56C                    |          | 56C                |                   | 56C               | 56C  | 229                |                  |                 | 99  | 6.8 |
| 15               | 1.76            |                          |                  | 56C                    |          | 56C                |                   | 56C               | 56C  | 214                |                  |                 | 93  | 6.4 |
| 14               | 1.64            | 56C                      |                  | 56C                    | 1.50     | 56C                |                   | 56C               | 200  | 87                 |                  |                 | 6.0 |     |
| 13               | 1.52            | 56C                      | 56C              | 56C                    |          | 56C                |                   | 185               | 80   | 5.5                |                  |                 |     |     |
| 12               | 1.40            | 56C                      | 56C              | 1.50                   |          | 56C                | 56C               | 170               | 74   | 5.1                |                  |                 |     |     |
| 11               | 1.29            | 56C                      | 56C              |                        |          | 56C                | 56C               | 154               | 67   | 4.6                |                  |                 |     |     |
| 10               | 1.17            | 1.00                     | 56C              |                        |          | 56C                | 56C               | 56C               | 141  | 61                 |                  |                 | 4.2 |     |
| 9                | 1.05            |                          | 56C              |                        |          | 56C                | 56C               | 56C               | 127  | 55                 |                  |                 | 3.8 |     |
| 8                | 0.94            |                          | 0.75             |                        | 56C      | 56C                | 1.00              | 56C               | 56C  | 113                |                  |                 | 49  | 3.4 |
| 7                | 0.82            |                          |                  |                        | 56C      | 56C                |                   | 56C               | 56C  | 98                 |                  |                 | 42  | 2.9 |
| 6                | 0.70            |                          |                  | 56C                    | 56C      | 0.75               |                   | 56C               | 56C  | 85                 |                  |                 | 37  | 2.5 |
| 5                | 0.59            |                          |                  | 56C                    | 56C      |                    |                   | 56C               | 56C  | 71                 |                  |                 | 31  | 2.1 |
| 4                | 0.47            | 56C                      |                  | 56C                    | 0.50     |                    |                   | 56C               | 56C  | 57                 |                  |                 | 25  | 1.7 |
| 3                | 0.35            | 56C                      |                  | 56C                    |          |                    |                   | 56C               | 56C  | 43                 |                  |                 | 19  | 1.3 |
| 2                | 0.23            | 56C                      | 56C              | 56C                    |          |                    | 56C               | 29                | 13   | 0.9                |                  |                 |     |     |
| 1                | 0.12            | 56C                      | 56C              | 56C                    |          |                    | 56C               | 14                | 6  | 0.4                |                  |                 |     |     |

### TECHNICAL DATA - PUMP HYDRAULICS / MOTOR SIZING

#### 15SV 1750 RPM

| No. of Impellers | Maximum HP draw | Motor Selection using SF |                  |       | Motor Selection 1.0 SF |                  |       | Shutoff TDH (Feet) | Shutoff TDH (psi) | Shutoff TDH (Bar) | Casing/Sleeve Pressure Rating (standard assy.) | Pump Flange Rating |
|------------------|-----------------|--------------------------|------------------|-------|------------------------|------------------|-------|--------------------|-------------------|-------------------|--|--------------------|
|                  |                 | Rated HP                 | NEMA Motor Frame |       | Rated HP               | NEMA Motor Frame |       |                    |                   |                   |  |                    |
|                  |                 |                          | ODP              | TEFC  |                        | ODP              | TEFC  |                    |                   |                   |  |                    |
| 15               | 3.56            | 5.00                     | 184TC            | 184TC | 5.00                   | 184TC            | 184TC | 263                | 114               | 7.8               | 25 Bar (362 psi)                               | Class 250 / 300    |
| 14               | 3.32            | 3.00                     | 56C              | 56C   |                        | 184TC            | 184TC | 245                | 106               | 7.3               |  |                    |
| 13               | 3.08            |                          | 56C              | 56C   |                        | 184TC            | 184TC | 228                | 99                | 6.8               |  |                    |
| 12               | 2.84            |                          | 56C              | 56C   | 3.00                   | 56C              | 56C   | 210                | 91                | 6.3               |  |                    |
| 11               | 2.61            | 56C                      | 56C              | 56C   |                        | 56C              | 192   | 83                 | 5.7               |                   |  |                    |
| 10               | 2.37            | 56C                      | 56C              | 56C   |                        | 56C              | 175   | 76                 | 5.2               |                   |  |                    |
| 9                | 2.13            | 2.00                     | 56C              | 56C   | 2.00                   | 56C              | 56C   | 158                | 68                | 4.7               |  |                    |
| 8                | 1.90            |                          | 56C              | 56C   |                        | 56C              | 56C   | 140                | 61                | 4.2               |  |                    |
| 7                | 1.66            | 1.50                     | 56C              | 56C   | 1.50                   | 56C              | 56C   | 120                | 52                | 3.6               |  |                    |
| 6                | 1.42            |                          | 56C              | 56C   |                        | 56C              | 56C   | 103                | 45                | 3.1               |  |                    |
| 5                | 1.19            | 1.00                     | 56C              | 56C   | 1.00                   | 56C              | 56C   | 86                 | 37                | 2.6               |  |                    |
| 4                | 0.95            |                          | 56C              | 56C   |                        | 56C              | 56C   | 68                 | 29                | 2.0               |  |                    |
| 3                | 0.71            | 0.50                     | 56C              | 56C   | 0.50                   | 56C              | 56C   | 51                 | 22                | 1.5               |  |                    |
| 2                | 0.47            |                          | 56C              | 56C   |                        | 56C              | 56C   | 35                 | 15                | 1.0               |  |                    |
| 1                | 0.24            |                          | 56C              | 56C   |                        | 56C              | 56C   | 8                  | 3                 | 0.2               |  |                    |

#### 22SV 1750 RPM

| No. of Impellers | Maximum HP draw | Motor Selection using SF |                  |       | Motor Selection 1.0 SF |                  |       | Shutoff TDH (Feet) | Shutoff TDH (psi) | Shutoff TDH (Bar) | Casing/Sleeve Pressure Rating (standard assy.) | Pump Flange Rating |
|------------------|-----------------|--------------------------|------------------|-------|------------------------|------------------|-------|--------------------|-------------------|-------------------|--|--------------------|
|                  |                 | Rated HP                 | NEMA Motor Frame |       | Rated HP               | NEMA Motor Frame |       |                    |                   |                   |  |                    |
|                  |                 |                          | ODP              | TEFC  |                        | ODP              | TEFC  |                    |                   |                   |  |                    |
| 12               | 3.58            | 5.00                     | 184TC            | 184TC | 5.00                   | 184TC            | 184TC | 220                | 95                | 6.6               | 25 Bar (362 psi)                               | Class 250 / 300    |
| 11               | 3.28            | 3.00                     | 56C              | 56C   |                        | 184TC            | 184TC | 202                | 87                | 6.0               |  |                    |
| 10               | 2.98            |                          | 56C              | 56C   | 3.00                   | 56C              | 56C   | 183                | 79                | 5.5               |  |                    |
| 9                | 2.68            |                          | 56C              | 56C   |                        | 56C              | 56C   | 165                | 71                | 4.9               |  |                    |
| 8                | 2.38            | 56C                      | 56C              | 56C   |                        | 56C              | 147   | 64                 | 4.4               |                   |  |                    |
| 7                | 2.09            | 2.00                     | 56C              | 56C   | 2.00                   | 56C              | 56C   | 129                | 56                | 3.8               |  |                    |
| 6                | 1.79            |                          | 56C              | 56C   |                        | 56C              | 56C   | 110                | 48                | 3.3               |  |                    |
| 5                | 1.49            | 1.50                     | 56C              | 56C   | 1.50                   | 56C              | 56C   | 91                 | 39                | 2.7               |  |                    |
| 4                | 1.19            |                          | 56C              | 56C   |                        | 56C              | 56C   | 74                 | 32                | 2.2               |  |                    |
| 3                | 0.89            | 0.75                     | 56C              | 56C   | 1.00                   | 56C              | 56C   | 55                 | 24                | 1.6               |  |                    |
| 2                | 0.60            | 0.50                     | 56C              | 56C   | 0.75                   | 56C              | 56C   | 36                 | 16                | 1.1               |  |                    |
| 1                | 0.30            |                          | 56C              | 56C   |                        | 0.50             | 56C   | 56C                | 19                | 8                 |  |                    |

## Commercial Water

### TECHNICAL DATA - PUMP HYDRAULICS / MOTOR SIZING

#### 33SV 1750 RPM

| No. of Impellers | Maximum HP draw | Motor Selection using SF |                  |      | Motor Selection 1.0 SF |                  |      | Shutoff TDH (Feet) | Shutoff TDH (psi) | Shutoff TDH (Bar) | Casing/Sleeve Pressure Rating (standard assy.) | Pump Flange Rating | Stages Requiring Thrust Balancing Piston |
|------------------|-----------------|--------------------------|------------------|------|------------------------|------------------|------|--------------------|-------------------|-------------------|--|--------------------|--|
|                  |                 | Rated HP                 | NEMA Motor Frame |      | Rated HP               | NEMA Motor Frame |      |                    |                   |                   |  |                    |  |
|                  |                 |                          | ODP              | TEFC |                        | ODP              | TEFC |                    |                   |                   |  |                    |  |
| 10               | 7.0             | 7.5                      | 184TC            | 7.5  | 184TC                  | 278              | 120  | 8                  | 25 Bar (362 psi)  | Class 125 / 150   |  |                    |  |
| 10/1             | 6.8             |                          |                  |      |                        | 271              | 117  | 8                  |                   |                   |  |                    |  |
| 10/2             | 6.8             |                          |                  |      |                        | 264              | 114  | 8                  |                   |                   |  |                    |  |
| 9                | 6.3             |                          |                  |      |                        | 250              | 108  | 7                  |                   |                   |  |                    |  |
| 9/1              | 6.1             |                          |                  |      |                        | 242              | 105  | 7                  |                   |                   |  |                    |  |
| 9/2              | 6.1             |                          |                  |      |                        | 235              | 102  | 7                  |                   |                   |  |                    |  |
| 8                | 5.6             |                          |                  |      |                        | 222              | 96   | 7                  |                   |                   |  |                    |  |
| 8/1              | 5.4             | 5                        |                  | 5    |                        | 5                | 214  | 93                 |                   |                   |  | 6                  |  |
| 8/2              | 5.4             |                          |                  |      |                        |                  | 207  | 90                 |                   |                   |  | 6                  |  |
| 7                | 4.9             |                          |                  |      |                        |                  | 195  | 84                 |                   |                   |  | 6                  |  |
| 7/1              | 4.7             |                          |                  |      |                        |                  | 189  | 82                 |                   |                   |  | 6                  |  |
| 7/2              | 4.7             |                          |                  |      |                        |                  | 181  | 78                 |                   |                   |  | 5                  |  |
| 6                | 4.2             |                          |                  |      |                        |                  | 168  | 73                 |                   |                   |  | 5                  |  |
| 6/1              | 4.0             |                          |                  |      |                        |                  | 160  | 69                 |                   |                   |  | 5                  |  |
| 6/2              | 3.9             | 153                      | 66               |      | 5                      |                  |      |                    |                   |                   |  |                    |  |
| 5                | 3.5             | 3                        | 3                |      | 3                      | 139              | 60   | 4                  |                   |                   |  |                    |  |
| 5/1              | 3.3             |                          |                  |      |                        | 131              | 57   | 4                  |                   |                   |  |                    |  |
| 5/2              | 3.2             |                          |                  |      |                        | 124              | 54   | 4                  |                   |                   |  |                    |  |
| 4                | 2.8             |                          |                  |      |                        | 111              | 48   | 3                  |                   |                   |  |                    |  |
| 4/1              | 2.6             |                          |                  |      |                        | 103              | 45   | 3                  |                   |                   |  |                    |  |
| 4/2              | 2.5             |                          |                  |      |                        | 97               | 42   | 3                  |                   |                   |  |                    |  |
| 3                | 2.1             |                          |                  | 83   |                        | 36               | 2    |                    |                   |                   |  |                    |  |
| 3/1              | 2.0             | 76                       |                  | 33   | 2                      |                  |      |                    |                   |                   |  |                    |  |
| 3/2              | 1.8             | 70                       |                  | 30   | 2                      |                  |      |                    |                   |                   |  |                    |  |
| 2                | 1.4             | 56                       |                  | 24   | 2                      |                  |      |                    |                   |                   |  |                    |  |
| 2/1              | 1.2             | 48                       |                  | 21   | 1                      |                  |      |                    |                   |                   |  |                    |  |
| 2/2              | 1.1             | 41                       |                  | 18   | 1                      |                  |      |                    |                   |                   |  |                    |  |
| 1                | 0.7             | 28                       |                  | 12   | 1                      |                  |      |                    |                   |                   |  |                    |  |



### TECHNICAL DATA - PUMP HYDRAULICS / MOTOR SIZING

#### 46SV 1750 RPM

| No. of Impellers | Maximum HP draw | Motor Selection using SF |                  |       | Motor Selection 1.0 SF |                  |       | Shutoff TDH (Feet) | Shutoff TDH (psi) | Shutoff TDH (Bar) | Casing/Sleeve Pressure Rating (standard assy.) | Pump Flange Rating | Stages Requiring Thrust Balancing Piston |
|------------------|-----------------|--------------------------|------------------|-------|------------------------|------------------|-------|--------------------|-------------------|-------------------|--|--------------------|--|
|                  |                 | Rated HP                 | NEMA Motor Frame |       | Rated HP               | NEMA Motor Frame |       |                    |                   |                   |  |                    |  |
|                  |                 |                          | ODP              | TEFC  |                        | ODP              | TEFC  |                    |                   |                   |  |                    |  |
| 10/2             | 10.0            | 10                       | 215TC            | 215TC | 10                     | 213TC            | 215TC | 298                | 129               | 9                 | 25 Bar (362 psi)                               | Class 125 / 150    |  |
| 9                | 9.3             |                          |                  |       |                        |                  |       | 280                | 121               | 8                 |  |                    |  |
| 9/1              | 9.0             |                          |                  |       |                        |                  |       | 274                | 119               | 8                 |  |                    |  |
| 9/2              | 8.8             |                          |                  |       |                        |                  |       | 268                | 116               | 8                 |  |                    |  |
| 8                | 8.2             | 7.5                      | 184TC            | 7.5   | 7.5                    | 184TC            | 249   | 108                | 7                 |                   |  |                    |  |
| 8/1              | 8.0             |                          |                  |       |                        |                  | 242   | 105                | 7                 |                   |  |                    |  |
| 8/2              | 7.8             |                          |                  |       |                        |                  | 236   | 102                | 7                 |                   |  |                    |  |
| 7                | 7.2             |                          |                  |       |                        |                  | 217   | 94                 | 6                 |                   |  |                    |  |
| 7/1              | 7.0             |                          |                  |       |                        |                  | 212   | 92                 | 6                 |                   |  |                    |  |
| 7/2              | 6.8             |                          |                  |       |                        |                  | 206   | 89                 | 6                 |                   |  |                    |  |
| 6                | 6.2             |                          |                  |       |                        |                  | 189   | 82                 | 6                 |                   |  |                    |  |
| 6/1              | 6.0             | 5                        | 184TC            | 5     | 184TC                  | 182              | 79    | 5                  |                   |                   |  |                    |  |
| 6/2              | 5.8             |                          |                  |       |                        | 174              | 75    | 5                  |                   |                   |  |                    |  |
| 5                | 5.2             |                          |                  |       |                        | 156              | 68    | 5                  |                   |                   |  |                    |  |
| 5/1              | 5.0             |                          |                  |       |                        | 150              | 65    | 4                  |                   |                   |  |                    |  |
| 5/2              | 4.7             | 3                        | 184TC            | 3     | 184TC                  | 144              | 62    | 4                  |                   |                   |  |                    |  |
| 4                | 4.1             |                          |                  |       |                        | 125              | 54    | 4                  |                   |                   |  |                    |  |
| 4/1              | 3.8             |                          |                  |       |                        | 118              | 51    | 4                  |                   |                   |  |                    |  |
| 4/2              | 3.7             |                          |                  |       |                        | 113              | 49    | 3                  |                   |                   |  |                    |  |
| 3                | 3.1             | 3                        | 184TC            | 3     | 184TC                  | 93               | 40    | 3                  |                   |                   |  |                    |  |
| 3/1              | 2.9             |                          |                  |       |                        | 87               | 38    | 3                  |                   |                   |  |                    |  |
| 3/2              | 2.6             |                          |                  |       |                        | 79               | 34    | 2                  |                   |                   |  |                    |  |
| 2                | 2.0             |                          |                  |       |                        | 63               | 27    | 2                  |                   |                   |  |                    |  |
| 2/1              | 1.8             |                          |                  |       |                        | 55               | 24    | 2                  |                   |                   |  |                    |  |
| 2/2              | 1.6             |                          |                  |       |                        | 49               | 21    | 1                  |                   |                   |  |                    |  |
| 1                | 1.0             |                          |                  |       |                        | 31               | 13    | 1                  |                   |                   |  |                    |  |

#### 66SV 1750 RPM

| No. of Impellers | Maximum HP draw | Motor Selection using SF |                  |       | Motor Selection 1.0 SF |                  |       | Shutoff TDH (Feet) | Shutoff TDH (psi) | Shutoff TDH (Bar) | Casing/Sleeve Pressure Rating (standard assy.) | Pump Flange Rating | Stages Requiring Thrust Balancing Piston |
|------------------|-----------------|--------------------------|------------------|-------|------------------------|------------------|-------|--------------------|-------------------|-------------------|--|--------------------|--|
|                  |                 | Rated HP                 | NEMA Motor Frame |       | Rated HP               | NEMA Motor Frame |       |                    |                   |                   |  |                    |  |
|                  |                 |                          | ODP              | TEFC  |                        | ODP              | TEFC  |                    |                   |                   |  |                    |  |
| 6                | 9.0             | 10                       | 215TC            | 215TC | 10                     | 213TC            | 215TC | 211                | 91                | 6                 | 25 Bar (362 psi)                               | Class 125 / 150    |  |
| 6/1              | 8.6             |                          |                  |       |                        |                  |       | 203                | 88                | 6                 |  |                    |  |
| 6/2              | 8.3             |                          |                  |       |                        |                  |       | 197                | 85                | 6                 |  |                    |  |
| 5                | 7.5             | 7.5                      | 184TC            | 7.5   | 7.5                    | 184TC            | 175   | 76                 | 5                 |                   |  |                    |  |
| 5/1              | 7.1             |                          |                  |       |                        |                  | 168   | 73                 | 5                 |                   |  |                    |  |
| 5/2              | 6.9             |                          |                  |       |                        |                  | 162   | 70                 | 5                 |                   |  |                    |  |
| 4                | 6.0             |                          |                  |       |                        |                  | 140   | 61                 | 4                 |                   |  |                    |  |
| 4/1              | 5.6             |                          |                  |       |                        |                  | 134   | 58                 | 4                 |                   |  |                    |  |
| 4/2              | 5.4             |                          |                  |       |                        |                  | 127   | 55                 | 4                 |                   |  |                    |  |
| 3                | 4.5             | 5                        | 184TC            | 5     | 184TC                  | 106              | 46    | 3                  |                   |                   |  |                    |  |
| 3/1              | 4.1             |                          |                  |       |                        | 98               | 42    | 3                  |                   |                   |  |                    |  |
| 3/2              | 3.9             |                          |                  |       |                        | 92               | 40    | 3                  |                   |                   |  |                    |  |
| 2                | 3.0             |                          |                  |       |                        | 70               | 30    | 2                  |                   |                   |  |                    |  |
| 2/1              | 2.6             | 3                        | 184TC            | 3     | 184TC                  | 64               | 28    | 2                  |                   |                   |  |                    |  |
| 2/2              | 2.4             |                          |                  |       |                        | 57               | 25    | 2                  |                   |                   |  |                    |  |
| 1                | 1.5             |                          |                  |       |                        | 36               | 15    | 1                  |                   |                   |  |                    |  |

## Commercial Water

### TECHNICAL DATA - PUMP HYDRAULICS / MOTOR SIZING

#### 92SV 1750 RPM

| No. of Impellers | Maximum HP draw | Motor Selection using SF |                  |       | Motor Selection 1.0 SF |                  |       | Shutoff TDH (Feet) | Shutoff TDH (psi) | Shutoff TDH (Bar) | Casing/Sleeve Pressure Rating (standard assy.) | Pump Flange Rating | Stages Requiring Thrust Balancing Piston |
|------------------|-----------------|--------------------------|------------------|-------|------------------------|------------------|-------|--------------------|-------------------|-------------------|--|--------------------|--|
|                  |                 | Rated HP                 | NEMA Motor Frame |       | Rated HP               | NEMA Motor Frame |       |                    |                   |                   |  |                    |  |
|                  |                 |                          | ODP              | TEFC  |                        | ODP              | TEFC  |                    |                   |                   |  |                    |  |
| 6                | 11.5            | 10                       | 215TC            | 215TC | 15                     | 215TC            | 254TC | 227                | 98                | 7                 | 25 Bar (362 psi)                               | Class 125 / 150    |  |
| 6/1              | 11.1            |                          |                  |       |                        |                  |       | 221                | 96                | 7                 |  |                    |  |
| 6/2              | 10.7            |                          |                  |       |                        |                  |       | 215                | 93                | 6                 |  |                    |  |
| 5                | 9.8             |                          |                  |       | 10                     | 213TC            | 215TC | 190                | 82                | 6                 |  |                    |  |
| 5/1              | 9.7             |                          |                  |       |                        |                  |       | 184                | 80                | 5                 |  |                    |  |
| 5/2              | 9.2             |                          |                  |       |                        |                  |       | 178                | 77                | 5                 |  |                    |  |
| 4                | 7.7             | 7.5                      | 184TC            | 7.5   | 184TC                  | 153              | 66    | 5                  |                   |                   |  |                    |  |
| 4/1              | 7.6             |                          |                  |       |                        | 146              | 63    | 4                  |                   |                   |  |                    |  |
| 4/2              | 7.1             |                          |                  |       |                        | 140              | 61    | 4                  |                   |                   |  |                    |  |
| 3                | 5.8             |                          |                  |       |                        | 114              | 49    | 3                  |                   |                   |  |                    |  |
| 3/1              | 5.6             |                          |                  |       |                        | 107              | 46    | 3                  |                   |                   |  |                    |  |
| 3/2              | 5.1             |                          |                  |       |                        | 102              | 44    | 3                  |                   |                   |  |                    |  |
| 2                | 3.9             | 5                        | 184TC            | 5     | 184TC                  | 76               | 33    | 2                  |                   |                   |  |                    |  |
| 2/1              | 3.6             |                          |                  |       |                        | 69               | 30    | 2                  |                   |                   |  |                    |  |
| 2/2              | 3.1             |                          |                  |       |                        | 64               | 28    | 2                  |                   |                   |  |                    |  |
| 1                | 1.9             | 3                        | 184TC            | 3     | 184TC                  | 37               | 16    | 1                  |                   |                   |  |                    |  |
| 1/1              | 1.6             |                          |                  |       |                        | 31               | 14    | 1                  |                   |                   |  |                    |  |

#### 125SV 1750 RPM

| No. of Impellers | Maximum HP draw | Motor Selection using SF |                  |       | Motor Selection 1.0 SF |                  |       | Shutoff TDH (Feet) | Shutoff TDH (psi) | Shutoff TDH (Bar) | Casing/Sleeve Pressure Rating (standard assy.) | Pump Flange Rating |
|------------------|-----------------|--------------------------|------------------|-------|------------------------|------------------|-------|--------------------|-------------------|-------------------|--|--------------------|
|                  |                 | Rated HP                 | NEMA Motor Frame |       | Rated HP               | NEMA Motor Frame |       |                    |                   |                   |  |                    |
|                  |                 |                          | ODP              | TEFC  |                        | ODP              | TEFC  |                    |                   |                   |  |                    |
| 8/0C             | 16.47           | 15                       | 215TC            | 254TC | 20                     | 254TC            | 256TC | 257                | 111               | 7.7               | 25 Bar (362 psi)                               | Class 125 / 150    |
| 7/0C             | 14.22           | 15                       | 215TC            | 254TC | 15                     | 215TC            | 254TC | 225                | 97                | 6.7               |  |                    |
| 6/6A             | 11.4            | 10                       | 213TC            | 215TC | 15                     | 215TC            | 254TC | 179                | 78                | 5.3               |  |                    |
| 5/5A             | 9.5             | 10                       | 213TC            | 215TC | 10                     | 213TC            | 215TC | 150                | 65                | 4.5               |  |                    |
| 4/0C             | 8.23            | 7.5                      | 184TC            | 184TC | 10                     | 213TC            | 215TC | 128                | 55                | 3.8               |  |                    |
| 3/3A             | 5.70            | 5                        | 182TC            | 184TC | 7.5                    | 184TC            | 184TC | 89                 | 39                | 2.7               |  |                    |
| 2/0C             | 4.36            | 5                        | 182TC            | 184TC | 5                      | 182TC            | 184TC | 66                 | 29                | 2.0               |  |                    |

### TECHNICAL DATA - WATER PROPERTY CHART

| Temp °F | Temp °C | Specific Volume<br>(Cubic ft/lb) | Specific Gravity |        |        | Weight<br>(lb/cubic ft) | Vapor Pressure<br>(psi Abs) |
|---------|---------|----------------------------------|------------------|--------|--------|-------------------------|-----------------------------|
|         |         |                                  | @ 39.2°F         | @ 60°F | @ 68°F |                         |                             |
| 32      | 0.0     | 0.01602                          | 1.000            | 1.001  | 1.002  | 62.42                   | 0.088                       |
| 35      | 1.7     | 0.01602                          | 1.000            | 1.001  | 1.002  | 62.42                   | 0.100                       |
| 40      | 4.4     | 0.01602                          | 1.000            | 1.001  | 1.002  | 62.42                   | 0.122                       |
| 50      | 10.0    | 0.01603                          | 0.999            | 1.001  | 1.002  | 62.38                   | 0.178                       |
| 60      | 15.6    | 0.01604                          | 0.999            | 1.000  | 1.001  | 62.34                   | 0.256                       |
| 70      | 21.1    | 0.01606                          | 0.998            | 0.999  | 1.000  | 62.27                   | 0.363                       |
| 80      | 26.7    | 0.01608                          | 0.996            | 0.998  | 0.999  | 62.19                   | 0.507                       |
| 90      | 32.2    | 0.0161                           | 0.995            | 0.996  | 0.997  | 62.11                   | 0.698                       |
| 100     | 37.8    | 0.01613                          | 0.993            | 0.994  | 0.995  | 62.00                   | 0.949                       |
| 120     | 48.9    | 0.0162                           | 0.989            | 0.990  | 0.991  | 61.73                   | 1.692                       |
| 140     | 60.0    | 0.01629                          | 0.983            | 0.985  | 0.986  | 61.39                   | 2.889                       |
| 160     | 71.1    | 0.01639                          | 0.977            | 0.979  | 0.979  | 61.01                   | 4.741                       |
| 180     | 82.2    | 0.01651                          | 0.970            | 0.972  | 0.973  | 60.57                   | 7.510                       |
| 200     | 93.3    | 0.01663                          | 0.963            | 0.964  | 0.966  | 60.13                   | 11.526                      |
| 212     | 100.0   | 0.01672                          | 0.958            | 0.959  | 0.960  | 59.81                   | 14.696                      |
| 220     | 104.4   | 0.01677                          | 0.955            | 0.956  | 0.957  | 59.63                   | 17.186                      |
| 240     | 115.6   | 0.01692                          | 0.947            | 0.948  | 0.949  | 59.10                   | 24.97                       |
| 260     | 126.7   | 0.01709                          | 0.938            | 0.939  | 0.940  | 58.51                   | 35.43                       |
| 280     | 137.8   | 0.01726                          | 0.928            | 0.929  | 0.930  | 58.00                   | 49.20                       |
| 300     | 148.9   | 0.01745                          | 0.918            | 0.919  | 0.920  | 57.31                   | 67.01                       |
| 320     | 160.0   | 0.01756                          | 0.908            | 0.909  | 0.910  | 56.66                   | 89.66                       |
| 340     | 171.1   | 0.01787                          | 0.896            | 0.898  | 0.899  | 55.96                   | 118.01                      |
| 360     | 182.2   | 0.01811                          | 0.885            | 0.886  | 0.887  | 55.22                   | 153.04                      |
| 380     | 193.3   | 0.01836                          | 0.873            | 0.874  | 0.875  | 54.47                   | 195.77                      |
| 400     | 204.4   | 0.01864                          | 0.859            | 0.860  | 0.862  | 53.65                   | 247.31                      |
| 420     | 215.6   | 0.01894                          | 0.846            | 0.847  | 0.848  | 52.80                   | 308.83                      |
| 440     | 226.7   | 0.01926                          | 0.832            | 0.833  | 0.834  | 51.92                   | 381.59                      |
| 460     | 237.8   | 0.0196                           | 0.817            | 0.818  | 0.819  | 51.02                   | 466.9                       |
| 480     | 248.9   | 0.02                             | 0.801            | 0.802  | 0.803  | 50.00                   | 566.1                       |
| 500     | 260.0   | 0.0204                           | 0.785            | 0.786  | 0.787  | 49.02                   | 680.8                       |
| 520     | 271.1   | 0.0209                           | 0.765            | 0.766  | 0.767  | 47.85                   | 812.4                       |
| 540     | 282.2   | 0.0215                           | 0.746            | 0.747  | 0.748  | 46.51                   | 962.5                       |
| 560     | 293.3   | 0.0221                           | 0.726            | 0.727  | 0.728  | 45.30                   | 1133.1                      |
| 580     | 304.4   | 0.0228                           | 0.703            | 0.704  | 0.704  | 43.90                   | 1325.8                      |
| 600     | 315.6   | 0.0236                           | 0.678            | 0.679  | 0.680  | 42.30                   | 1542.9                      |
| 620     | 326.7   | 0.0247                           | 0.649            | 0.650  | 0.650  | 40.50                   | 1786.6                      |
| 640     | 337.8   | 0.026                            | 0.617            | 0.618  | 0.618  | 38.50                   | 2059.7                      |
| 660     | 348.9   | 0.0278                           | 0.577            | 0.577  | 0.578  | 36.00                   | 2365.4                      |
| 680     | 360.0   | 0.0305                           | 0.525            | 0.526  | 0.527  | 32.80                   | 2708.1                      |
| 700     | 371.1   | 0.0369                           | 0.434            | 0.435  | 0.435  | 27.10                   | 3093.7                      |

## Commercial Water

### TECHNICAL DATA - NPSH

#### NPSH

The minimum operating values that can be reached at the pump suction end are limited by the onset of cavitation.

Cavitation is the formation of vapor-filled cavities within liquids where the pressure is locally reduced to a critical value, or where the local pressure is equal to, or just below the vapor pressure of the liquid.

The vapor-filled cavities flow with the current and when they reach a higher pressure are the vapor contained in the cavities condenses. The cavities collide, generating pressure waves that are transmitted to the walls. These, being subjected to stress cycles, gradually become deformed and yield due to fatigue. This phenomenon, characterized by a metallic noise produced by the hammering on the pipe walls, is called incipient cavitation.

The damage caused by cavitation may be magnified by electrochemical corrosion and a local rise in temperature due to the plastic deformation of the walls. The materials that offer the highest resistance to heat and corrosion are alloy steels, especially austenitic steel. The conditions that trigger cavitation may be assessed by calculating the total net suction head, referred to in technical literature with the acronym NPSH (Net Positive Suction Head).

The NPSH represents the total energy (expressed in feet) of the liquid measured at suction under conditions of incipient cavitation, excluding the vapor pressure (expressed in feet) that the liquid has at the pump inlet.

To find the static height ( $h_z$ ) at which to install the machine under safe conditions, the following formula must be verified:

$$h_p + h_z \geq (\text{NPSHr} + 2 \text{ ft}) + h_f + h_{pv}$$

where:

**$h_p$**  is the absolute pressure applied to the free liquid surface in the suction tank, expressed in feet of liquid;  $h_p$  is the quotient between the barometric pressure and the specific weight of the liquid.

**$h_z$**  is the suction lift between the pump axis and the free liquid surface in the suction tank, expressed in feet;  $h_z$  is negative when the liquid level is lower than the pump axis.

**$h_f$**  is the flow resistance in the suction line and its accessories, such as: fittings, foot valve, gate valve, elbows, etc.

**$h_{pv}$**  is the vapor pressure of the liquid at the operating temperature, expressed in feet of the liquid.  $h_{pv}$  is the quotient between the  $P_v$  vapor pressure and the liquid's specific weight.

**0.5** is the safety factor.

The maximum possible suction head for installation depends on the value of the atmospheric pressure (i.e. the elevation above sea level at which the pump is installed) and the temperature of the liquid.

To help the user, with reference to water temperature (40°F) and to the elevation above sea level, the following tables show the drop in hydraulic pressure head in relation to the elevation above sea level, and the suction loss in relation to temperature.

|                               |      |     |     |      |      |      |      |
|-------------------------------|------|-----|-----|------|------|------|------|
| <b>Water Temperature (°F)</b> | 68   | 104 | 140 | 176  | 194  | 230  | 248  |
| <b>Suction Loss (ft)</b>      | -0.7 | 2.3 | 6.6 | 16.4 | 24.3 | 50.5 | 70.5 |

|                                       |      |      |      |      |      |      |
|---------------------------------------|------|------|------|------|------|------|
| <b>Elevation Above Sea Level (ft)</b> | 1600 | 3300 | 4900 | 6500 | 8200 | 9800 |
| <b>Suction Loss (ft)</b>              | 1.8  | 3.6  | 5.4  | 7.2  | 9.0  | 10.8 |

To reduce it to a minimum, especially in cases of high suction head (over 13 - 16 feet) or within the operating limits with high flow rates, we recommend using a suction line having a larger diameter than that of the pump's suction port. It is always a good idea to position the pump as close as possible to the liquid to be pumped.

# TECHNICAL DATA - COMPATABILITY CHART FOR MATERIALS IN CONTACT WITH MOST COMMONLY USED LIQUIDS

| Liquid                                      | Concentration (%) | Temperature Min/Max °F | Specific Weight (lb/in <sup>3</sup> ) | SV 1, 3, 5, 10, 15, 22 |     | SV 33, 46, 66, 92 |     | Recommended Seal                  | Elastomers |
|---|-------------------|------------------------|---------------------------------------|------------------------|-----|-------------------|-----|-----------------------------------|------------|
|   |                   |                        |                                       | 304                    | 316 | CI/316            | 316 |                                   |            |
| Water                                       | 100               | 23/248                 |                                       | •                      | •   | •                 | •   | Q <sub>1</sub> BEGG               | E          |
| Deionized, demineralized or distilled water | 100               | -13/230                |                                       | •                      | •   | •                 | •   | Q <sub>1</sub> BEGG               | E          |
| Water and oil emulsion                      | any               | 23/194                 |                                       | •                      | •   | •                 | •   | Q <sub>1</sub> BVGG               | V          |
| Acetic acid (•)                             | 80                | 14/158                 | .038                                  | •                      | •   | •                 | •   | Q <sub>1</sub> BEGG               | E          |
| Citric acid                                 | 5                 | 14/158                 | .056                                  | •                      | •   | •                 | •   | Q <sub>1</sub> BEGG               | E          |
| Hydrochloric acid                           | 2                 | 23/77                  | .043                                  |                        | •   |                   | •   | Q <sub>1</sub> Q <sub>1</sub> VGG | V          |
| Phosphoric acid                             | 10                | 23/86                  | .048                                  |                        | •   |                   | •   | Q <sub>1</sub> BEGG               | E          |
| Nitric acid (•)                             | 50                | 23/86                  | .053                                  | •                      | •   | •                 | •   | Q <sub>1</sub> Q <sub>1</sub> VGG | V          |
| Sulphuric acid (•)                          | 2                 | 14/77                  | .066                                  |                        | •   |                   | •   | Q <sub>1</sub> BVGG               | V          |
| Tannic acid                                 | 20                | 32/122                 |                                       |                        | •   |                   | •   | Q <sub>1</sub> BEGG               | E          |
| Tartaric acid                               | 50                | 14/77                  | .063                                  | •                      | •   | •                 | •   | Q <sub>1</sub> Q <sub>1</sub> VGG | V          |
| Uric acid                                   | 80                | 14/176                 | .068                                  | •                      | •   | •                 | •   | Q <sub>1</sub> BEGG               | E          |
| Benzoic acid                                | 70                | 32/158                 | .047                                  | •                      | •   | •                 | •   | Q <sub>1</sub> BVGG               | V          |
| Boric acid                                  | Saturated         | 14/194                 | .052                                  | •                      | •   | •                 | •   | Q <sub>1</sub> Q <sub>1</sub> VGG | V          |
| Formic acid (•)                             | 5                 | 5/77                   | .044                                  | •                      | •   | •                 | •   | Q <sub>1</sub> BEGG               | E          |
| Ethyl alcohol (•)                           | 100               | 23/104                 | .029                                  | •                      | •   | •                 | •   | Q <sub>1</sub> BEGG               | E          |
| Methyl alcohol (•)                          | 100               | 23/104                 | .029                                  | •                      | •   | •                 | •   | Q <sub>1</sub> BEGG               | E          |
| Propyl alcohol (•)                          | 100               | 23/176                 | .029                                  | •                      | •   | •                 | •   | Q <sub>1</sub> BEGG               | E          |
| Butyl alcohol                               | 100               | 23/176                 | .030                                  | •                      | •   | •                 | •   | Q <sub>1</sub> BVGG               | V          |
| Denatured alcohol (•)                       | 100               | 23/158                 | .030                                  | •                      | •   | •                 | •   | Q <sub>1</sub> BEGG               | E          |
| Ammonia in water (•)                        | 25                | -4/122                 | .038                                  | •                      | •   | •                 | •   | Q <sub>1</sub> BEGG               | E          |
| Chloroform                                  |                   | 14/86                  | .053                                  | •                      | •   | •                 | •   | Q <sub>1</sub> BVGG               | V          |
| Caustic soda                                | 25                | 32/158                 | .077                                  | •                      | •   | •                 | •   | Q <sub>1</sub> Q <sub>1</sub> EGG | E          |
| Water, detergents, mineral oils mixture     |                   | 23/176                 |                                       | •                      | •   | •                 | •   | Q <sub>1</sub> Q <sub>1</sub> VGG | V          |
| Cleaning products                           |                   | 23/212                 |                                       | •                      | •   | •                 | •   | Q <sub>1</sub> Q <sub>1</sub> VGG | V          |
| Diesel oil (•)                              | 100               | 32/176                 | .033                                  | •                      | •   | •                 | •   | Q <sub>1</sub> BVGG               | V          |
| Kerosene (•)                                | 100               | 32/176                 |                                       | •                      | •   | •                 | •   | Q <sub>1</sub> BVGG               | V          |
| Fuel oil (•)                                |                   | 32/194                 | .027                                  | •                      | •   | •                 | •   | Q <sub>1</sub> BVGG               | V          |
| Glycerine                                   | 100               | 68/194                 | .046                                  | •                      | •   | •                 | •   | Q <sub>1</sub> BEGG               | E          |
| Sodium Hypochlorite                         | 1                 | 14/77                  |                                       |                        | •   |                   | •   | Q <sub>1</sub> Q <sub>1</sub> VGG | V          |
| Phosphates/polyphosphates                   |                   | 23/194                 |                                       |                        | •   |                   | •   | Q <sub>1</sub> Q <sub>1</sub> VGG | V          |
| Sodium nitrate                              | Saturated         | 14/176                 | .081                                  | •                      | •   | •                 | •   | Q <sub>1</sub> BEGG               | E          |
| Cutting fluid                               | 100               | 23/230                 | .033                                  | •                      | •   | •                 | •   | Q <sub>1</sub> BVGG               | V          |
| Peanut oil (•)                              | 100               | 23/230                 | .034                                  | •                      | •   | •                 | •   | Q <sub>1</sub> BEGG               | E          |
| Colza oil (•)                               | 100               | 23/230                 | .034                                  | •                      | •   | •                 | •   | Q <sub>1</sub> BEGG               | E          |
| Linseed oil (•)                             | 100               | 23/230                 | .034                                  | •                      | •   | •                 | •   | Q <sub>1</sub> BEGG               | E          |
| Coconut oil (•)                             | 100               | -4/194                 | .033                                  | •                      | •   | •                 | •   | Q <sub>1</sub> BEGG               | E          |
| Soybean oil (•)                             | 100               | 32/194                 |                                       | •                      | •   | •                 | •   | Q <sub>1</sub> BEGG               | E          |
| Diathermic oil                              | 100               | 23/230                 | .033                                  | •                      | •   | •                 | •   | Q <sub>1</sub> BVGG               | V          |
| Hydraulic oil                               | 100               | 23/230                 |                                       | •                      | •   | •                 | •   | Q <sub>1</sub> BVGG               | V          |
| Mineral oil                                 | 100               | 23/230                 | .034                                  | •                      | •   | •                 | •   | Q <sub>1</sub> BVGG               | V          |
| Sodium sulfate                              | 15                | 14/104                 | .094                                  | •                      | •   | •                 | •   | Q <sub>1</sub> Q <sub>1</sub> EGG | E          |
| Aluminum sulfate                            | 30                | 23/122                 | .097                                  |                        | •   |                   | •   | Q <sub>1</sub> Q <sub>1</sub> EGG | E          |
| Ammonium sulfate                            | 10                | 14/140                 | .064                                  |                        | •   |                   | •   | Q <sub>1</sub> Q <sub>1</sub> EGG | E          |
| Iron sulfate                                | 10                | 23/86                  | .076                                  |                        | •   |                   | •   | Q <sub>1</sub> BEGG               | E          |
| Copper sulfate                              | 20                | 32/86                  | .082                                  |                        | •   |                   | •   | Q <sub>1</sub> Q <sub>1</sub> VGG | V          |
| Trichloroethylene                           |                   | 14/104                 | .053                                  | •                      | •   | •                 | •   | Q <sub>1</sub> BVGG               | V          |
| Perchloroethylene                           |                   | 14/86                  | .057                                  | •                      | •   | •                 | •   | Q <sub>1</sub> BVGG               | V          |

## Legend

Q<sub>1</sub> = Silicon carbide B = Impregnated carbon E = EPDM V = Viton G = AISI 316 (spring, metal components)

**(•) A special version may be necessary for this fluid. For additional information, please contact our sales network.**



Xylem Inc.  
 1 Goulds Drive  
 Auburn, NY 13021  
 Phone: (866) 325-4210  
 Fax: (888) 322-5877  
[www.gouldswatertechnology.com](http://www.gouldswatertechnology.com)

Goulds is a registered trademark of Goulds Pumps, Inc. and is used under license.  
 © 2011 Xylem Inc. BeSV60 R4 March 2014