

Complete Solution Kits from Goulds Pumps

The efficient and effective way to maintenance & repair

Goulds model 3196 *i-FRAME™* Kits

www.gouldspumps.com



MAINTENANCE KIT

Item# 902

REPAIR KIT

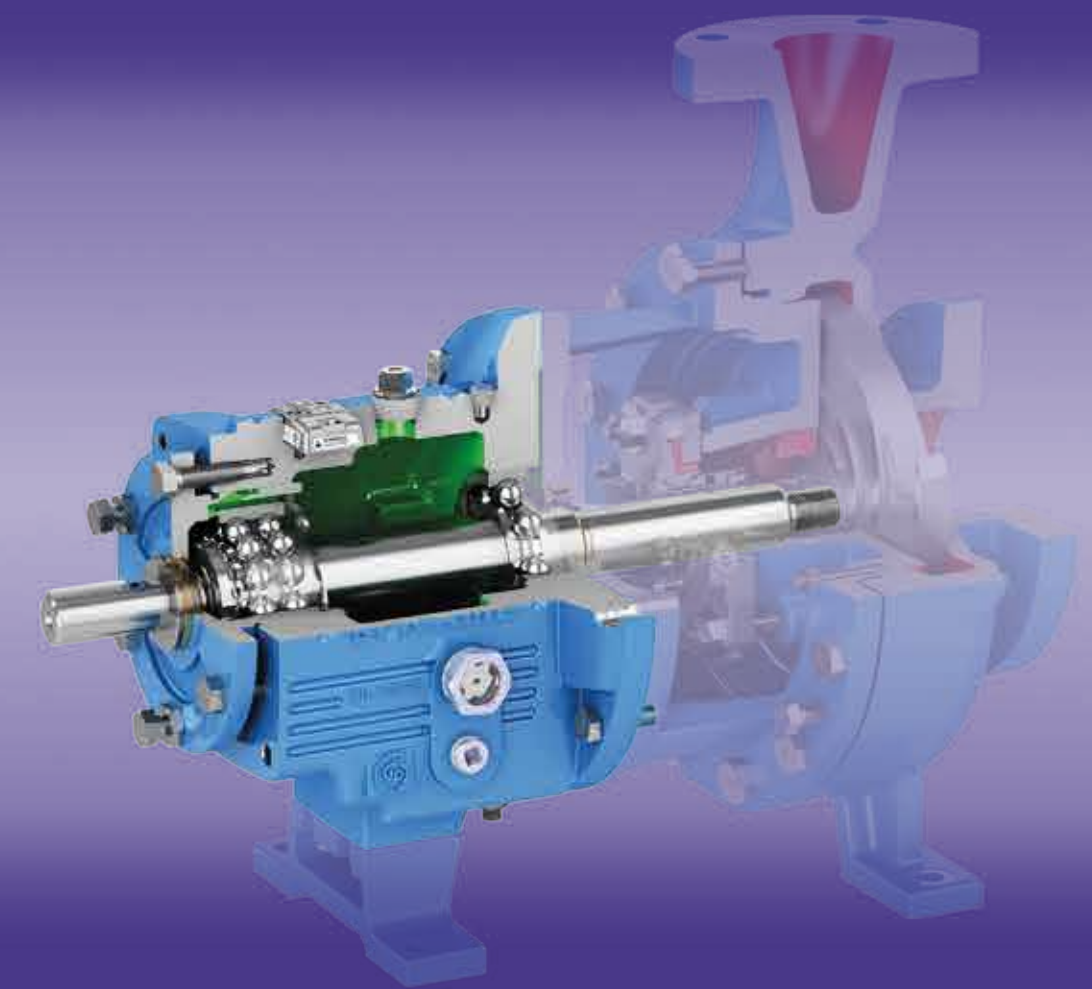
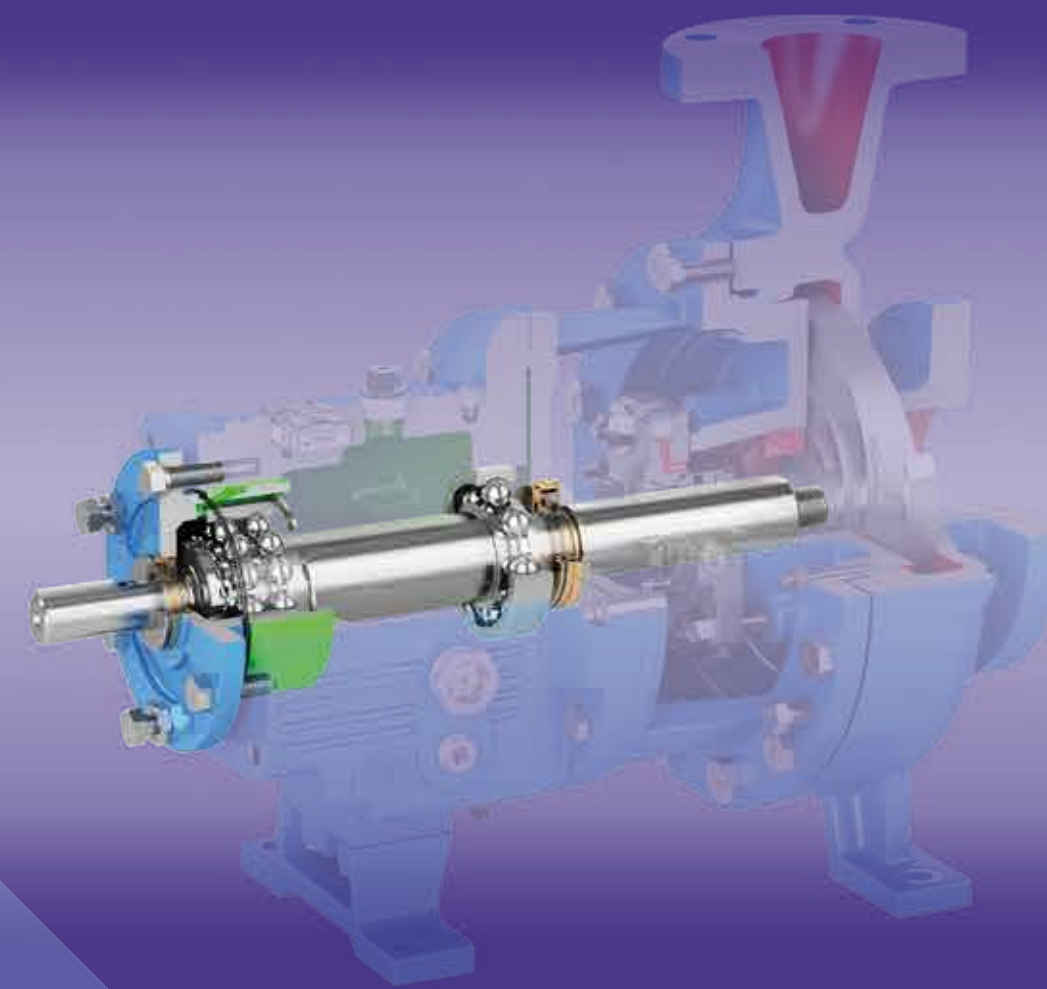
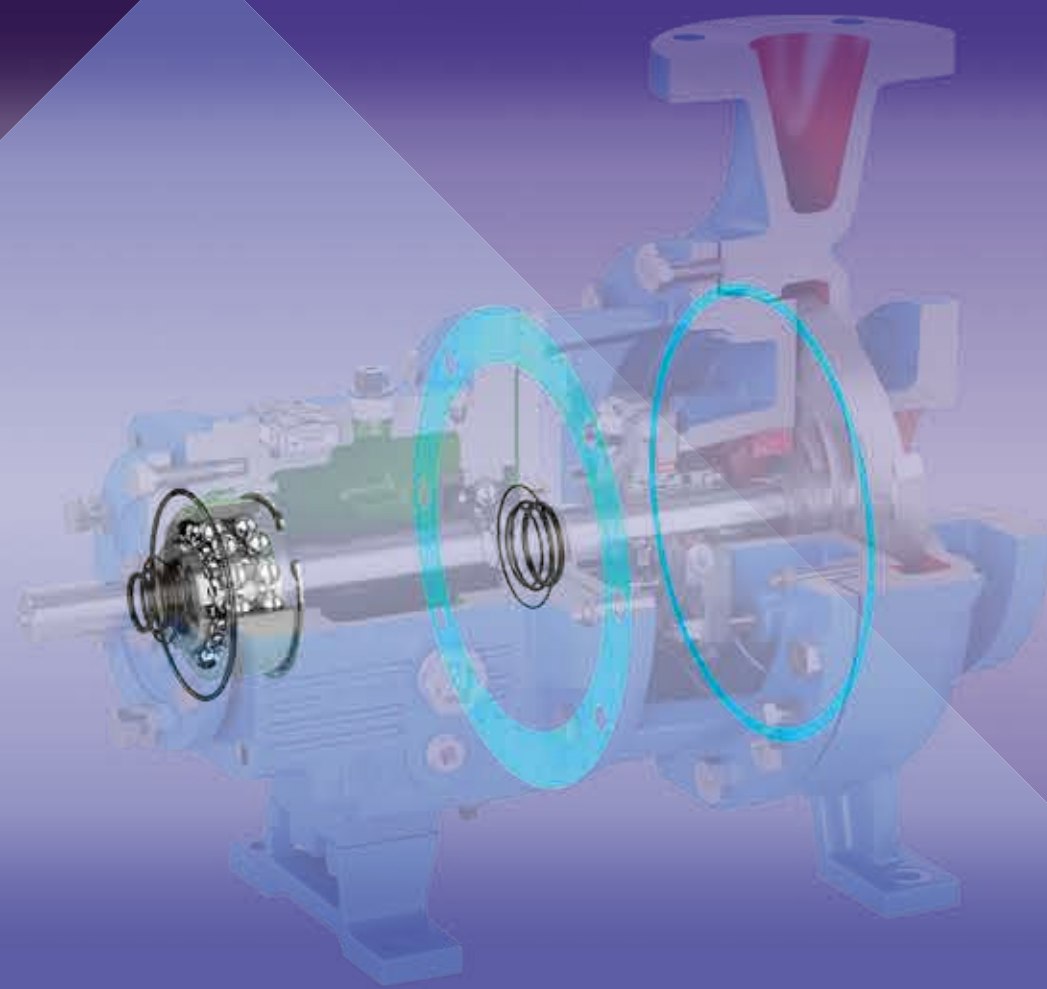
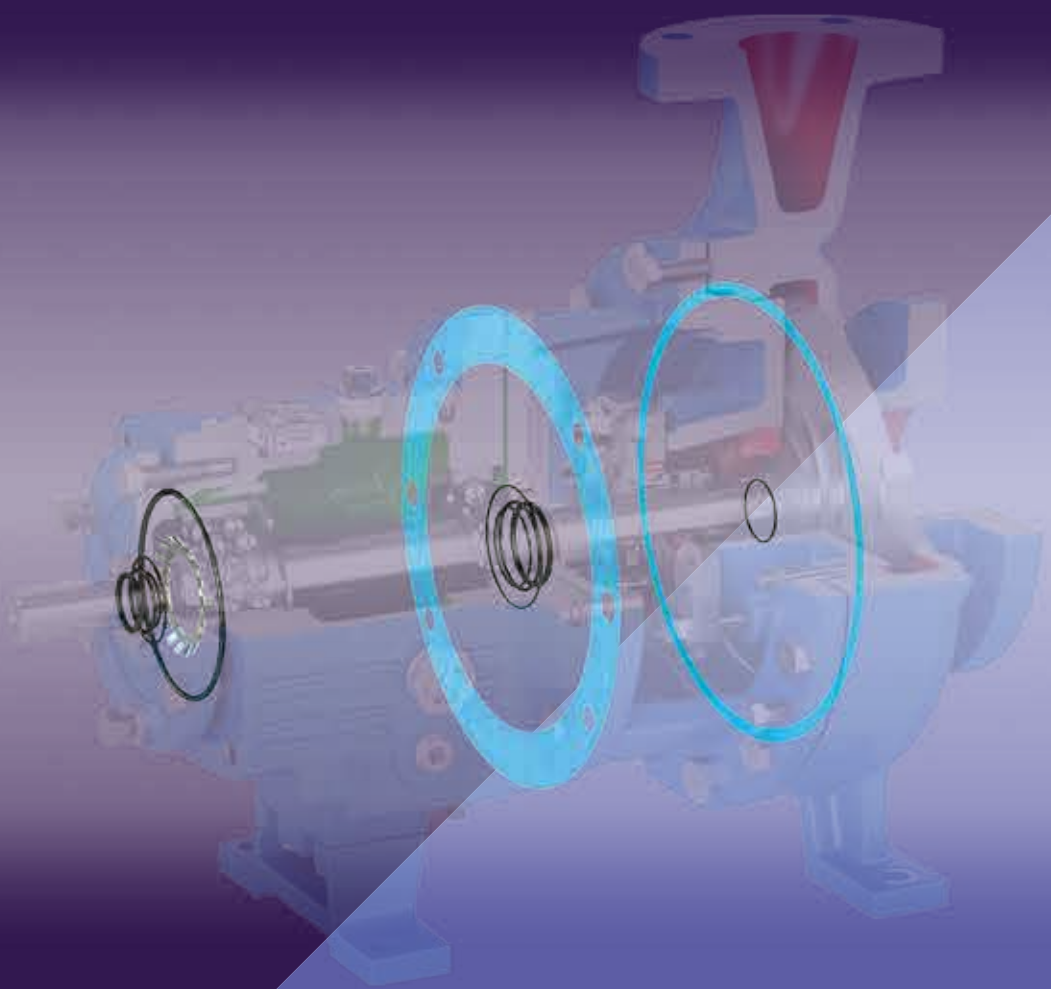
Item# 906

SHAFT KIT

Item# 902D

POWER END KIT

Item# 920



Item#	Description
351	GASKET,CASING (.062 THK)
360D	GASKET,ADAPTER
382	LOCKWSHR,BRG
412A	O-RING
496	O-RING
497F	O-RING
497G	O-RING
497N	O-RING
497H	O-RING
497J	O-RING
497L	O-RING

Item#	Description
105	RING,LANTERN
112	BEARING,BALL
136	LOCKNUT,BRG
168	BEARING,BALL
351	GASKET,CASING (.062 THK)
360D	GASKET,ADAPTER
361A	RING,RTNG
382	LOCKWSHR,BRG
412A	O-RING
496	O-RING
497F	O-RING
497G	O-RING
497N	O-RING
497H	O-RING
497J	O-RING
497L	O-RING

Item#	Description
112	BEARING,BALL
122	SHAFT
126	SLEEVE,SHAFT
134	HOUSING BEARING
136	LOCKNUT,BRG
168	BEARING,BALL
332A	SEAL,LABY OUTBOARD (VBXX-D)
333A	SEAL,LABY INBOARD (VBXX-D)
356N	BOLT,HEX TAP 1/2-13 X 1.50"LG
357W	NUT,HEX STD THD HVY JAM .50IN
361A	RING,RTNG
382	LOCKWSHR,BRG
400	KEY,SQUARE END
496	O-RING

Item#	Description
112	BEARING,BALL
122	SHAFT
134	HOUSING,BEARING
136	LOCKNUT,BRG
168	BEARING,BALL
228A	FRAME,BEARING MTi
234B	PLATE,GD PMP
304	PLUG,PIPE 3/4-14
319	WINDOW,SIGHT
332A	SEAL,LABY OUTBOARD (VBXXOD)
333A	SEAL,LABY INBOARD (VBXX-D)
356N	BOLT,HEX TAP 1/2-13 X 1.50"LG
357W	NUT,HEX STD THD HVY JAM .50IN
358C	PLUG,PIPE
361A	RING,RTNG
372T	SCREW,BTN HD SKT CAP
382	LOCKWSHR,BRG
408A	PLUG,PIPE
492D	PLUG,PIPE
496	O-RING
549E	FRAME NAMEPLATE
761B	CONDITION MONITOR - i ALERT



ITT

ENGINEERED FOR LIFE

