

## **R** Platinum 700 Cartridge Filter Housings

Ultra high capacity filter eliminates maintenance by providing high dirt removal

These new cartridge housings are designed to end the high cost of cartridge change-out. They are offered in three Model 8 styles (LCO, Polypropylene, and Standard Model 8) and Multi-cartridge housings.

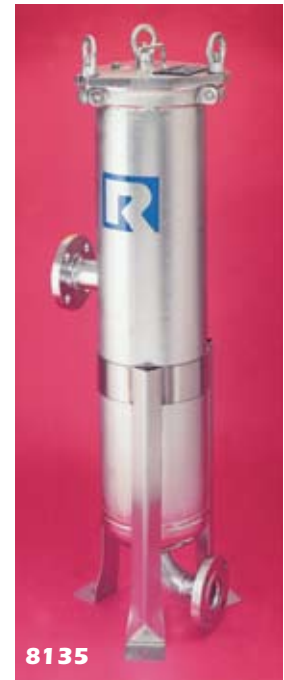
### Standard Features

- From 1 to 29 cartridges
- Multi-cartridge units are offered in the low profile design, for quick and easy cartridge removal
- Horizontal or vertical mount
- Housings available in carbon steel, 304 or 316 stainless steel and polypropylene
- Pressure ratings in 100, 125, and 150 psi
- ASME code stamp available on selected models
- Flanged or threaded connection sizes from 2-inch through 10-inch
- Covers are o-ring sealed and easy to remove
- Leg assembly (excludes CR8)
- Clean and dirty/gage port connections
- O-ring seals: Buna, Ethylene Propylene, Viton®, and Teflon® Encapsulated Viton®

A single 700 Series cartridge unit will out perform 40 standard wound or 10 pleated cartridges, reducing maintenance. A decrease in cartridge use, reduces labor, inventory, worker exposure and disposal costs. A single cartridge holds as much as 20 pounds of contaminant and flows to 100 gallons per minute. The labor-intensive v-posts and spring seals are eliminated and cartridges are easily removed, requiring no special tools. Elements are approximately 6.25-inch diameter and 35-inch length.



Certified to  
NSF/ANSI 61



For more detailed design information about the 700 Series cartridge element see page 181.



# Single Cartridge Platinum 700 Filter Housing

## How To Order

Build an ordering code as shown in the example

**Example: CR8135 - 2F - 1- 150 - P - B - 700 - C**

**MODEL NUMBER**

- Low Pressure, 1 Element = **LCO8135**
- Poly-Pro, 1 Element = **CR8135**
- Model 8, 1 Element = **NCO8135 or 8135**

**PIPE SIZE, FLANGED**

- CR8, Flat Face class 150 = **2F**
- RCO, LCO8, female NPT = **2P**
- Model 8, RF class 150, or FNPT = **2F or 2P**

**OUTLET STYLE**

- Side In/Bottom Out = **1**
- Side In/Side Out = **2**

**PRESSURE RATING**

- Low pressure = **125 psi**
- Poly Pro = **100 psi**
- Model 8 = **150 psi**

**HOUSING MATERIAL**

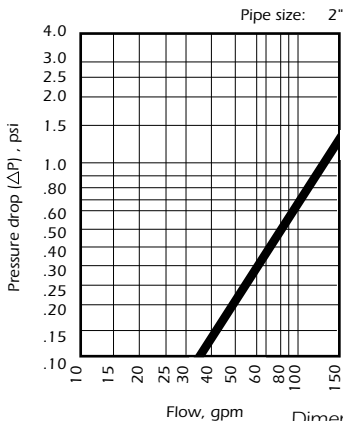
- Carbon Steel = **C**
- 304 Stainless Steel = **S**
- 316 Stainless Steel = **S316**
- Polypropylene (CR8 only) = **P**

**COVER GASKET**

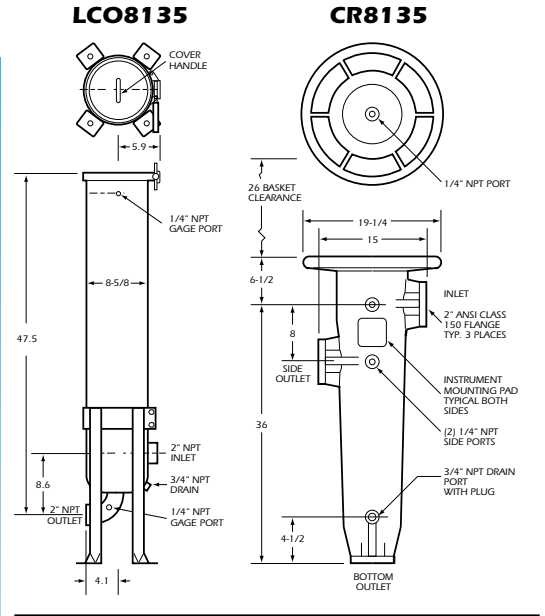
- Buna = **B**
- Ethylene Propylene = **E**
- Viton® Fluorelastomer = **V**
- Teflon® Encapsulate Viton® = **TEV**
- ELEMENT SERIES** = **700**

**ASME CODE OPTION**

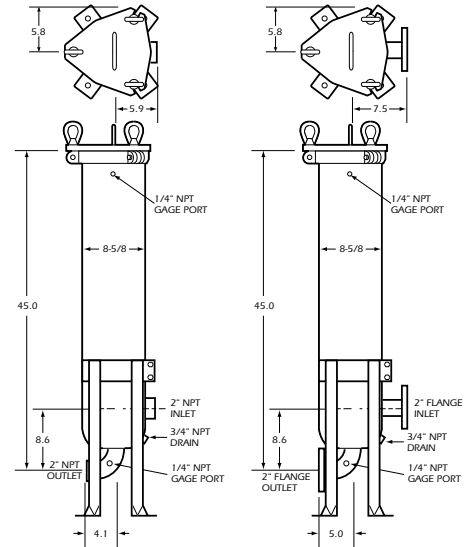
- ASME Code Stamp (8135 only) = **C**
- NSF 61 listed (8135 only) = **NSF**



## Dimensions (IN)



## 8135



## Viscosity Factors

		CPS NUMBER							
$1(H_2O)$	50	100	200	400	600	800	1000	2000	
.65	.85	1.00	1.10	1.20	1.40	1.50	1.60	1.80	

\*Based on housing only. Fluid viscosity, filter cartridge used, and expected dirt loading should be considered when sizing a filter.

Dimensions are reference only and should not be used for hard plumbing. Consult factory for certified drawings.

## Multiple Cartridge Platinum 700 Filter Housing

### How To Order

Build an ordering code as shown in the example

**Example:** **SLP-18435 - 3F - 1- 150 - S - B - 700 - C**

**HOUSING STYLE**  
 Standard Low Profile = **SLP**  
 Horizontal Mount = **HM**

**MODEL NUMBER**  
 Model 18,4 Elements = **18435**  
 Model 24,7 Elements = **24735**  
 Model 36,18 Elements = **361835**  
 Model 42,21 Elements = **422135**  
 Model 48,29 Elements = **482935**

**PIPE SIZE, FLANGED**  
 Model 18 = **2F or 3F**  
 Model 24 = **3F or 4F**  
 Model 36 = **4F, 6F or 8F**  
 Model 42 = **8F, 10F or 12F**  
 Model 48 = **8F, 10F or 12F**

**OUTLET STYLE**  
 Side In/Bottom Out = **1**  
 Side In/Side Out = **2**

**PRESSURE RATING**  
 150 PSI = **150**

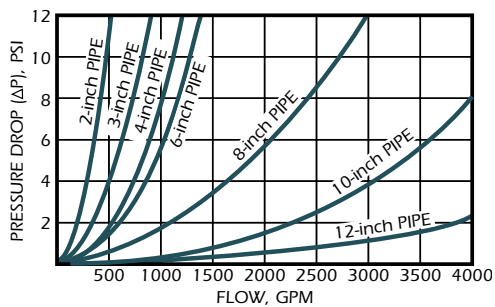
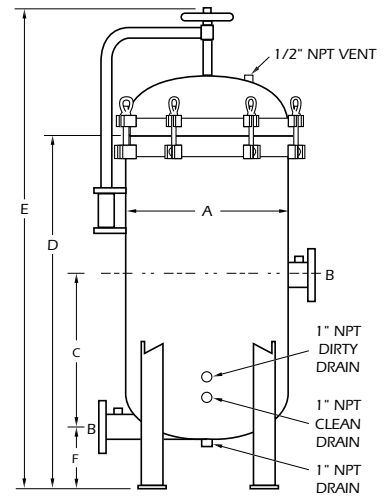
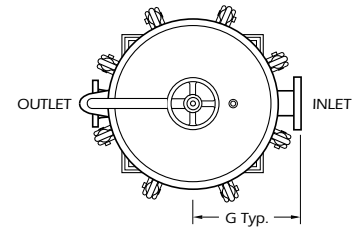
**HOUSING MATERIAL**  
 Carbon Steel = **C**  
 304 Stainless Steel = **S**  
 316 Stainless Steel = **S316**

**COVER GASKET**  
 Buna = **B**  
 Ethylene Propylene = **E**  
 Viton® Fluorelastomer = **V**  
 Teflon Encapsulate Viton® = **TEV**

**ELEMENT SERIES** = **700**

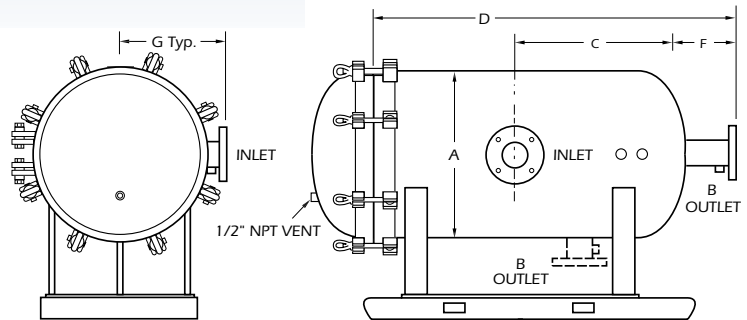
**ASME CODE OPTION**  
 ASME Code Stamp = **C**  
 NSF 61 listed = **NSF**

### Dimensions (IN)



\*Based on housing only. Fluid viscosity, filter cartridge used, and expected dirt loading should be considered when sizing a filter.

Dimensions are reference only and should not be used for hard plumbing. Consult factory for certified drawings.



MODEL NO. & Dim. A	Pipe Sizes B	Leg Bolt Circle Dia.	C	D	E	F	G
<b>18</b>	2	16.0	22.2	49.4	68.2	8.00	14.0
	3		21.6	49.8	68.7	9.00	14.0
<b>24</b>	3	22.0	23.1	51.3	71.7	9.00	18.0
	4		22.6	50.8	71.2	9.00	19.0
<b>36</b>	4	34.0	27.4	55.9	77.7	9.50	25.0
	6		26.3	55.9	77.6	10.5	26.0
	8		25.3	55.9	77.6	11.5	27.0
<b>42</b>	10	40	36.0	60.0	92.0	10.0	34.0
<b>48</b>	12	42	38.5	62.0	98.0	12.0	38.0