

## **R** **Rosedale Model HSS300 and HSS750**

### Single Cartridge Housings for Liquids

The Rosedale Model HSS single element filter housing is an all stainless steel unit ideal for general industrial service. It features a ring-nut closure (HSS 300) or bolt closure (HSS750) for easy access to the head and cartridge sump.

- The HSS is available in 10", 20", 30", or 40" cartridge models.
- HSS300 units are rated for 300 PSI service at 200°F.
- HSS750 units are rated for 750 PSI service at 200°F.

Flow rates to 40 GPM are acceptable depending on cartridge selection. Buna-N gaskets are standard, while other materials are available.

#### Standard Features

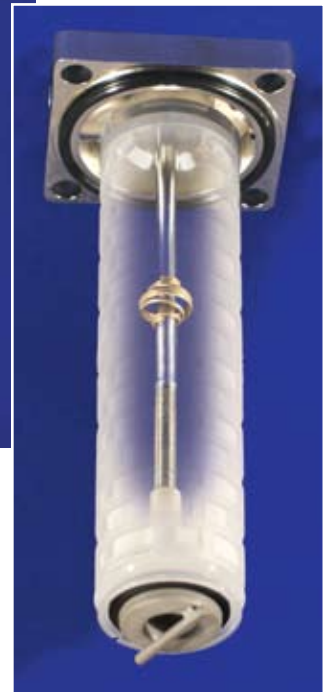
- Simple closure for quick cartridge change outs
- In line fittings for easy installation
- Knife edge seal at both cartridge ends to eliminate by-pass
- Housings accept double-open-end cartridges



**MODEL HSS300**



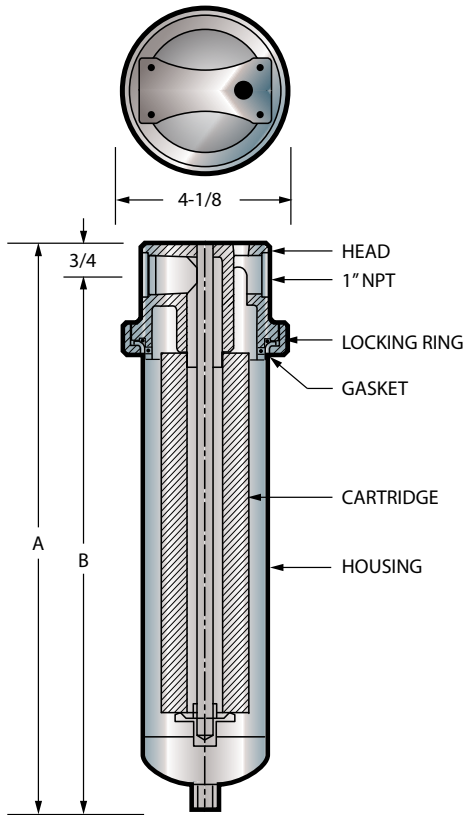
**MODEL HSS750**



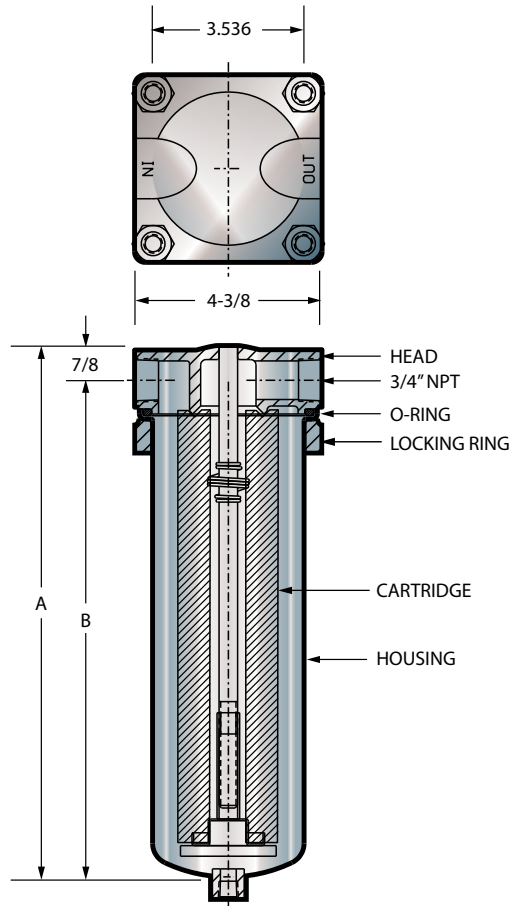
For detailed information about filter cartridges, see pages 184-203.

**Dimensions (IN)**

**MODEL HSS300**



**MODEL HSS750**



Model	PSI	A	B
HSS300-M101	300 PSI	13-9/16	12-3/4
HSS300-M102		23-9/16	22-3/4
HSS300-M103		33-9/16	32-3/4
HSS300-M104		43-9/16	42-3/4
HSS750-M101	750 PSI	13	12-1/8
HSS750-M102		23	22-1/8
HSS750-M103		33	32-1/8
HSS750-M104		43	42-1/8

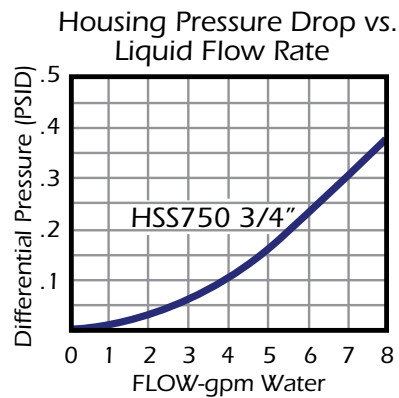
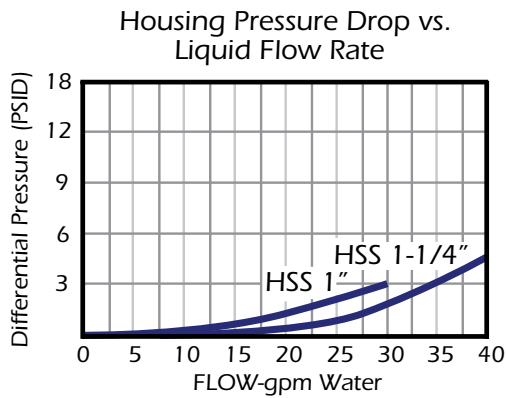
Dimensions are reference only and should not be used for hard plumbing. Consult factory for certified drawings.

## Standard Design Specifications

Model	Qty. (Length) of Cartridges	Flow Rate GPM*	Max Ctg Diameter	Approx. Ship Weight	Box Size
M101	1 (10")	7	2 3/4" OD	10 lbs	4x5x16
M102	1 (20")	14	2 3/4" OD	12 lbs	4x5x25
M103	1 (30")	21	2 3/4" OD	14 lbs	4x5x36
M104	1 (40")	28	2 3/4" OD	16 lbs	4x5x47

Based on 7gpm per 10" length with a 25 micron wound cartridge at 2PSID clean and a viscosity of 1 cps.

\*Flow rates are guide lines only. Actual flow rates are based on fluid, viscosity, cartridge type, micron ratings and other factors.



## How To Order

Build an ordering code as shown in the example

**Example: HSS300 - M101 - SS304 - 1.0 - V**

<p><b>MODEL</b> HSS300 Cartridge Filter = <b>HSS300</b> HSS750 Cartridge Filter = <b>HSS750</b></p> <p><b>CARTRIDGE LENGTH</b> 10" = <b>M101</b> 20" = <b>M102</b> 30" = <b>M103</b> 40" = <b>M104</b></p>	<p><b>GASKET</b> <b>Blank</b> = Buna-N <b>E</b> = EPR <b>V</b> = Viton</p> <p><b>INLET/OUTLET</b> <b>3/4</b> = 3/4" NPT <b>1.0</b> = 1" NPT <b>1-1/4</b> = 1-1/4" NPT</p> <p><b>MATERIAL</b> <b>SS304</b> = 304 stainless steel</p>
--	---