

SERVICE & OPERATING MANUAL

Original Instructions

ACCESSORIES

SANDPIPER's float actuated air valve and liquid level control provides all pneumatic operation.

Especially useful in sumping and liquid transfer situations, the float actuated switch opens and closes air supply to the pump for positive ON-OFF response.



Warren Rupp, Inc.

A Unit of IDEX Corporation

800 N. Main St.,

Mansfield, Ohio 44902 USA

Telephone (419) 524.8388

Fax (419) 522.7867

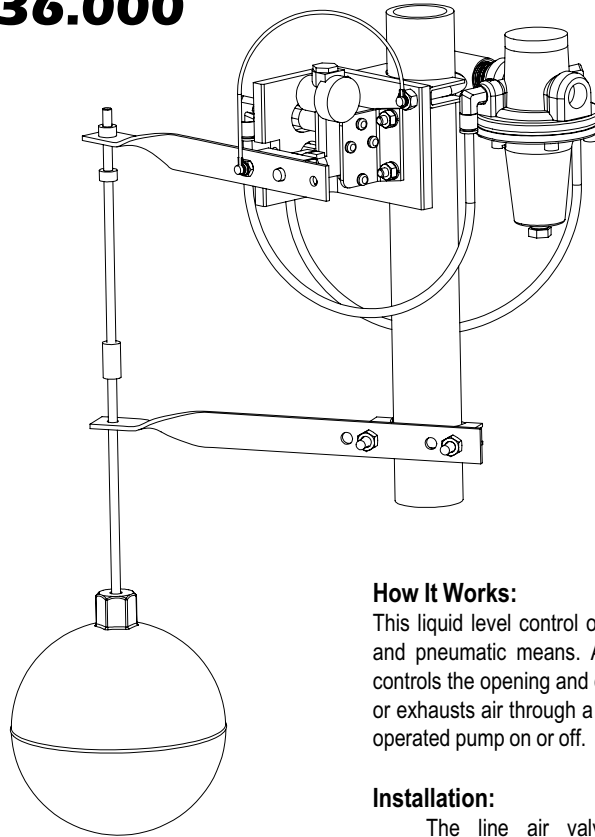
WWW.SANDPIPERPUMP.COM



© Copyright 2016 Warren Rupp, Inc.
All rights reserved

Liquid Level Control

032.036.000



How It Works:

This liquid level control operates entirely by mechanical and pneumatic means. A float-operated air pilot valve controls the opening and closing of an air valve. It admits or exhausts air through a special regulator to turn an air-operated pump on or off.

Installation:

The line air valve and air pilot valve are preassembled on bracket and ready for mounting to 1 1/2" (3.81cm) standard on pipe.

Unit is ready as recieved for standard (high level on - low level off) operation. For reverse operation (low level on - high level off), remove bracket (item 1) from pilot valve by removing hex nut (item 12). Install bracket opposite direction from position shown and action is reversed.

Install float and rod as shown and mount rod guide bracket below control as required. A minimum of 10 PSI (.6895 BAR) air pressure is recommended for operation of liquid level control.

Air In and Air Out are noted on the regulator.

Note:

Important - a minimum of 8 PSI, created through pump application, must exist for the float valve to work.

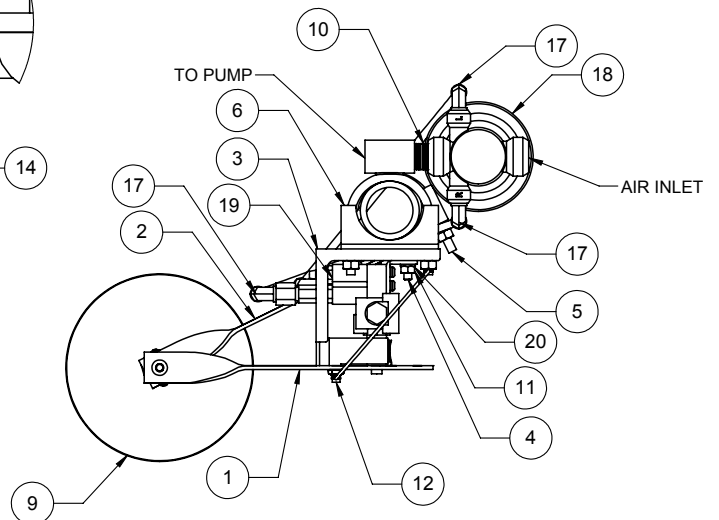
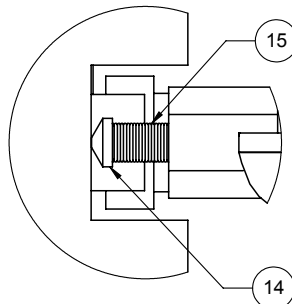
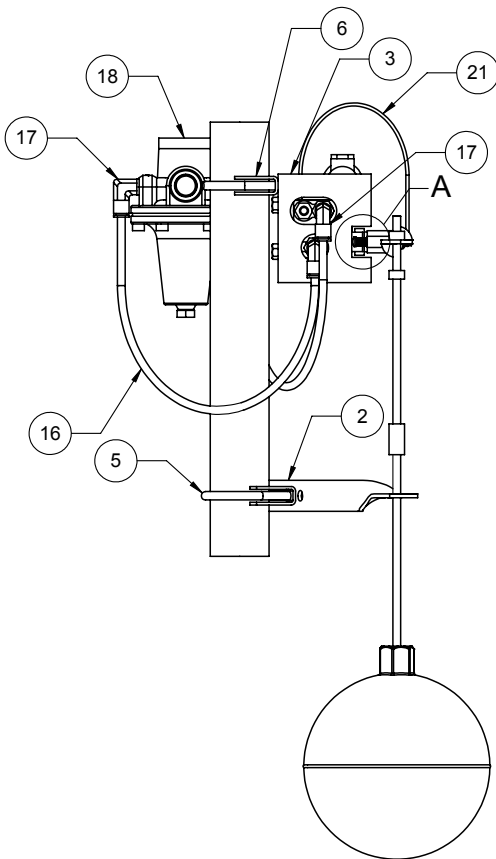
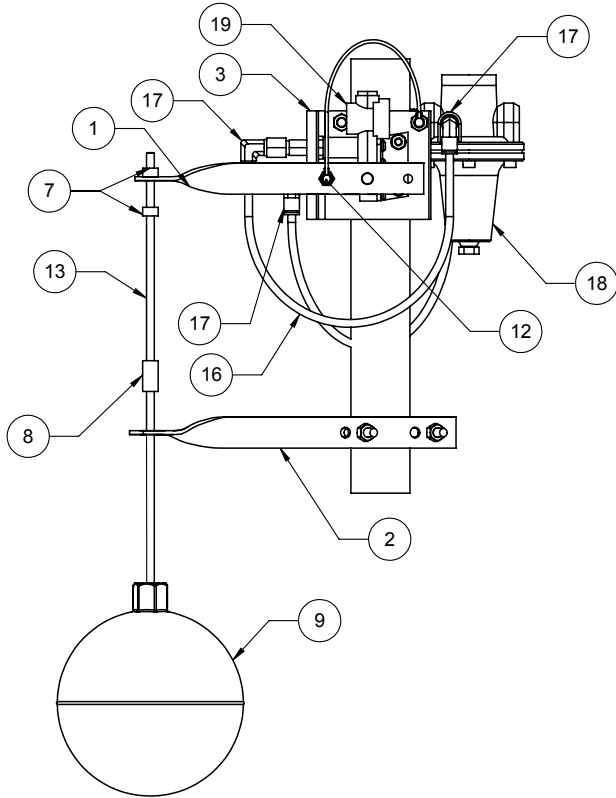
Features & Benefits:

- Completely automatic operation.
- Easy, low-cost installation. The control is plumbed as part of the piping system.
- All pneumatic operation - no electrical connections.
- Versatility. One control can be installed to handle sumping and tank filling/transfer.
- For sumping operations, the pump is started at a high liquid level, and stopped at a low liquid level. For tank filling and transfer, the pump is started at a low liquid level and stopped at a high liquid level. It's completely adjustable to any liquid level operating range. It will adjust from a few inches to approximately nine feet.
- Long life operation. Corrosion-resistant wetted parts.
- High capacity air valve. Accomodates air flow requirements up to 125 cfm, with a pressure drop less than 10 psi.

SANDPIPER[®]
A WARREN RUPP, INC. BRAND

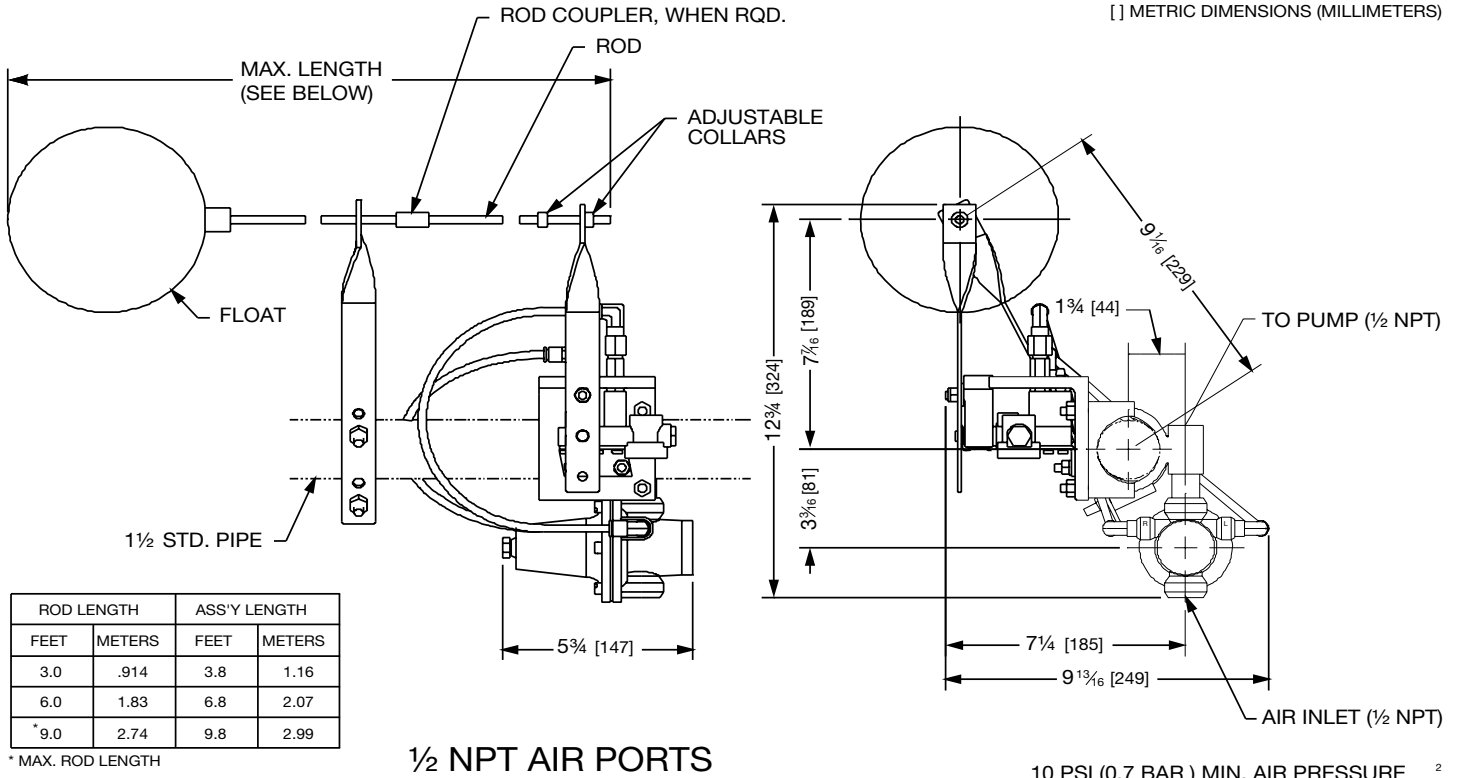
WWW.SANDPIPERPUMP.COM

Liquid Level Control



ITEM	PART NO.	DESCRIPTION	QTY
1	115.024.330	BRACKET, FLOAT ROD	1
2	115.150.330	BRACKET, FLOAT ROD	1
3	115.151.330	BRACKET, VALVE	1
4	170.043.330	CAPSCREW, HEX HD	2
5	200.010.330	CLAMP, U-BOLT	1
6	200.011.330	CLAMP ASSEMBLY	1
7	220.003.115	COLLAR, SET SCREW	2
8	255.005.114	COUPLING, RIGID	1
9	345.001.115	FLOAT	1
10	538.006.335	NIPPLE, PIPE	1
11	545.003.330	NUT, HEX	2
12	547.003.330	NUT, ELASTIC STOP	1
13	685.015.114	ROD, TABULATED	2
14	685.016.330	ROD, DETENT	1
15	780.015.115	SPRING COMPRESSION	1
16	860.049.550	TUBE, POLYETHYLENE	2
17	866.063.000	FITTING, TUBE, 90° ELBOW	4
18	893.024.000	VALVE, DIAPHRAGM	1
18A	860.015.080	TUBE, STOP	1
18B	780.014.080	SPRING, COMPRESSION	1
18C			
18D	RK118.A	SERVICE KIT	1
18E			
19	893.092.000	VALVE FLOAT	1
20	900.001.330	WASHER, LOCK, 1/4	2
21	920.026.000	GROUNDING CABLE	1

Float Actuated Air Valve




Grounding the Liquid Level Control

Optional 8 foot long (244 centimeters) 920.025.000 Grounding Cable is available for easy ground connection. Install one eyelet on the grounding cable to hardware on the product and the other eyelet to a natural earth ground.

To reduce the risk of static electrical sparking, this Liquid Level Control unit must be grounded. Check the local code for detailed grounding instruction and the type of equipment required.

⚠ WARNING



Take action to prevent static sparking. Fire or explosion can result, especially when handling flammable liquids. The Liquid Level Control, piping, valves, containers or other miscellaneous equipment must be grounded.



EC / EU Declaration Of Conformity

The objective of the declaration described is in conformity with the relevant Union harmonisation legislation: Directive 94/9/EC (until April 19, 2016) and Directive 2014/34/EU (from April 20, 2016).

Product:

Liquid Level Control 032.036.000

Manufacturer:

Warren Rupp, Inc.[®]
A Unit of IDEX Corporation
800 North Main Street
P.O. Box 1568
Mansfield, OH 44901-1568 USA



II 2 G D T5



Applicable Standards:

EN 13463-1:2009

Directive 2006/42/EC - Machinery

DATE/APPROVAL/TITLE:

5 APRIL 2013


David Roseberry, Director of Engineering

IDEX