

# N-SERIES

## MIXER DRIVES

**N-SERIES** agitator drives are built to SHARPE MIXERS' strict specifications to meet the high demands of mixing service. These rugged in-line helical drives have proven to be the best choice in a diverse range of applications, providing many years of extremely efficient, durable and quiet service.

Durable 2-part **epoxy paint** is baked on to provide optimum protection against corrosion

**High-speed bearings** are regreasable with zirc fittings on smaller sizes, and automatic greasing cylinders on larger drives

Oversize **sight glass** is furnished standard for easy viewing of oil level

Gearbox case is tapped for **oil fill / oil drain fittings**, supplied standard for ease of maintenance

Surface-hardened and precision-ground **high quality helical gearing** transmits power quietly and efficiently

**Standard NEMA frame motors** are available in C-Face or foot-mounted configurations.

**Flexible high-speed coupling** isolates motor from shock loads.

**Rain cap / shaft guard** is furnished standard to protect output shaft from weather and to protect personnel from rotating parts (hollow bore units).

Heavy-duty **tapered-roller bearings** on output shaft furnished standard



# SHARPE MIXERS

(800) 237-8815

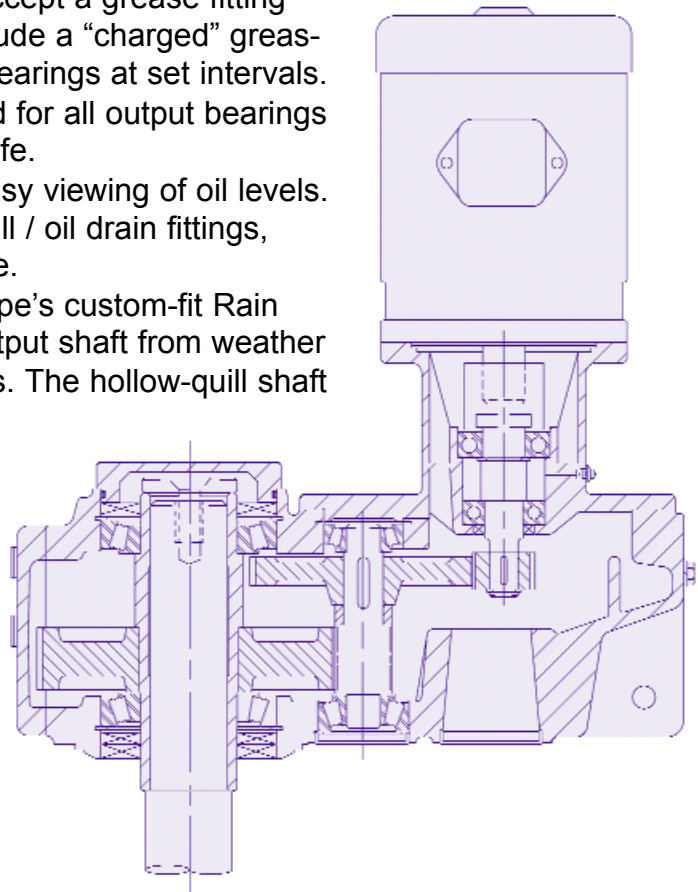
FAX (800) 767-5670

[www.sharpemixers.com](http://www.sharpemixers.com)

Sharpe Mixers' premium line of mixer drives must be efficient, durable, built to the highest quality, and offer features that place it above the competition. The N-Series drives meet these requirements and more. Built specifically for mixer service, a great deal of work has gone into making Sharpe's N-Series mixer drives the best on the market. Other similar mixer drives are available, but none include all of the details that make the N-Series superior.

### Features

- ▶ Input bearing cylinders are modified to accept a grease fitting for re-greasable bearings. Larger units include a "charged" greasing cylinder, automatically regreasing the bearings at set intervals.
- ▶ Oversize tapered roller bearings are used for all output bearings to provide excess capacity and maximum life.
- ▶ Oversize sightglasses are installed for easy viewing of oil levels.
- ▶ Gearbox cases are tapped to accept oil fill / oil drain fittings, which are included for ease of maintenance.
- ▶ Hollow-quill units are equipped with Sharpe's custom-fit Rain Cap / Shaft Guard covers to protect the output shaft from weather and to protect personnel from rotating parts. The hollow-quill shaft design allows for precise attachment to the mixer shaft without the use of an in-tank coupling. Solid shaft and coupling designs are also available.
- ▶ Heat and shock loading is isolated with a flexible coupling between the motor and the gearbox. Standard NEMA frame c-face motor mounting is designed for simple trouble-free installation, with positive registers for repeatable alignment. Motor scoops are also available if foot-mounted motors are preferred.
- ▶ The entire drive *including the motor* is covered with a premium 2-part epoxy coating, baked on for maximum corrosion resistance and durability.
- ▶ The all-helical gearing is made from SAE 8260 steel, carburized to hardness of 58 to 62 Rockwell C and ground to AGMA Quality Level 12, assuring quiet operation and long life.



Sharpe's N-Series mixers are available in top and side-entering designs, ranging from simple plate mounted open-tank models to complex mechanical seal systems; from high-speed dispersers to ultra-low speed helix mixers. Sizes range from fractional to over 200 horsepower. Sharpe Mixers offers a very wide range of designs and options to meet individual process requirements including custom impellers and seal designs, special alloys, polishing, coatings and many other "build to order" details.

For more information on this product or one of our many other types of mixing equipment, contact your local area representative, or visit us online at [www.sharpemixers.com](http://www.sharpemixers.com)