

# PB-SERIES PHARMACEUTICAL MIXERS

Sharpe Mixer's PB-Series mixer line exceeds the stringent requirements of the biotech and pharmaceutical industries.

- ◆ SS316L pedestal and white epoxy drive furnished standard
- ◆ SIP & CIP features
- ◆ Process batches up to 200 liters
- ◆ Many different impeller configurations available
- ◆ Precision machined oversize shafting
- ◆ 3" ferrule mounting standard - Up to 6" available
- ◆ Polishing available 5 Ra - 40 Ra + electropolish
- ◆ Slow speed for minimum splashing
- ◆ Variable speed available
- ◆ Single dry-running mechanical seal
- ◆ Sanitary Debris Well optional
- ◆ From 1/12 to 1/4 horsepower



FAX (800) 767-5670

(800) 237-8815

[www.sharpemixers.com](http://www.sharpemixers.com)

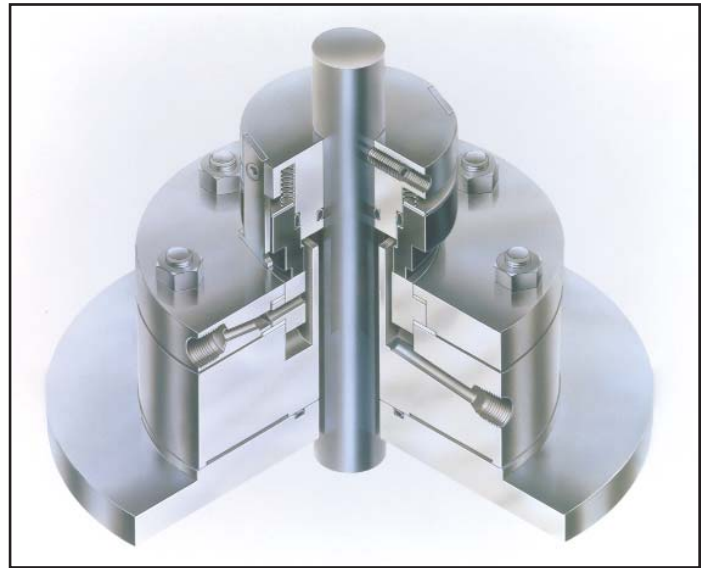
# SHARPE MIXERS

## PB-SERIES MIXER DETAILS

Sharpe's PB-Series mixer line was specifically designed for the pharmaceutical and biotech industries. Careful consideration has been given to every component to assure that these mixers are the highest quality and the best value in their class. The compact single-reduction worm gear has a minimum service factor of 2.0 for durability and is extremely quiet in operation. The strong stainless steel pedestal is shaped to provide excellent access to the mechanical seal while minimizing the size of the footprint. The mounting ferrule is machined from stainless T316 billet for maximum rigidity.

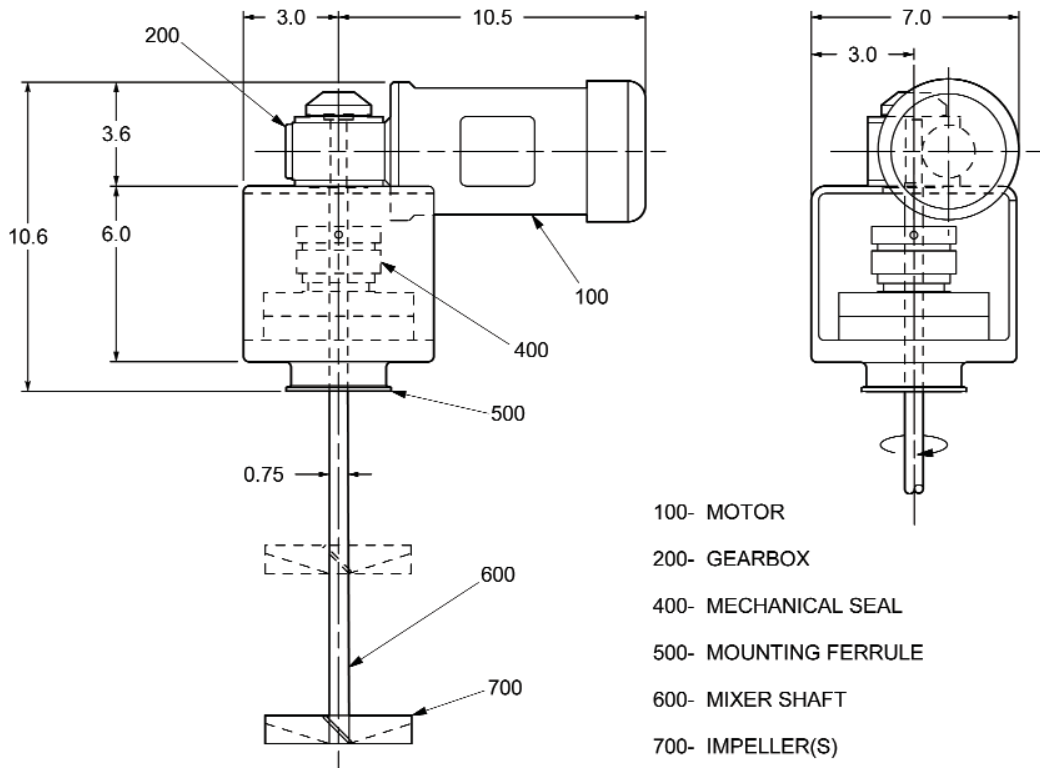
Oversize shafting is straightened and precision machined to produce a strong, vibration-free mixer shaft. Impellers are fabricated from SS316L plate to eliminate surface porosity and provide the highest polishing quality. Mixers are furnished standard with washdown guards protecting the top of the gearbox and the seal area.

All PB-Series mixers are built with Sharpe Mixers' mission in mind: superior equipment, excellent service and timely delivery at a competitive price.



The standard seal supplied with the BP-Series mixer is a single dry-running mechanical seal specifically designed for sanitary pharmaceutical applications. The seal shown here is equipped with a sanitary debris well and steam purge fittings for Clean-In-Place and Sterilize-In-Place operation.

### DIMENSIONS



- 100- MOTOR
- 200- GEARBOX
- 400- MECHANICAL SEAL
- 500- MOUNTING FERRULE
- 600- MIXER SHAFT
- 700- IMPELLER(S)

Note: Dimensions are for reference only, use certified prints for construction. Dimensions are in inches.

