

SERVICE & OPERATING MANUAL



Model S15 Metallic Design Level 1

Table of Contents

Engineering Data and Temperature Limitations.....	1
Explanation of Pump Nomenclature.....	2
Performance Curve.....	3
Dimensions	4
Metric Dimensions.....	5
Principle of Pump Operation.....	6
Installation and Start-Up.....	6
Air Supply.....	6
Air Valve Lubrication.....	6
Air Line Moisture.....	6
Air Inlet and Priming.....	6
Between Uses	6
Installation Guide.....	7
Troubleshooting	8
Warranty	8
Recycling.....	9
Important Safety Information	9
Material Codes	10
Composite Repair Parts Drawing.....	12
Available Service and Conversion Kits	12
Composite Repair Parts List.....	13
Air Valve Drawing, Parts List, Service Instructions.....	14
Air Valve Drawing, Parts List, Service Instructions	15



See page 2
for ATEX ratings.



U.S. Patent #
5,996,627; 6,241,487
Other U.S. Patents
Applied for

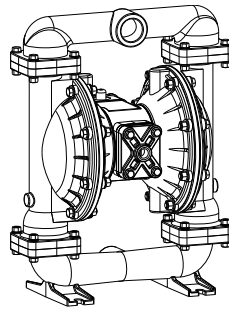
Air Valve w/Stroke Indicator Drawing and Parts List.....	16
Air Valve w/Stroke Indicator Servicing.....	17
Solenoid Shifted Air Valve Drawing	18
Solenoid Shifted Air Valve Parts List	18
Solenoid Shifted Air Valve Option.....	19
Diaphragm Service Drawing, with Overlay.....	20
Diaphragm Service Drawing, Non-Overlay.....	20
Diaphragm Servicing.....	21
Overlay Diaphragm Servicing	21
Pilot Valve Servicing, Assembly Drawing & Parts List.....	22
Actuator Plunger Servicing.....	23
Check Valve Servicing.....	24
Check Valve Drawing.....	24
Optional Muffler Configurations.....	25
Optional Muffler Configuration Drawing.....	25
Pumping Hazardous Liquids.....	26
Converting Pump for Piping Exhaust Air	26
Converted Exhaust Illustration.....	26
Pulse Output Kit Drawing	27
Pulse Output Kit Options	27
Grounding the Pump	28
CE Declaration of Conformity	29

**WARREN
RUPP®**

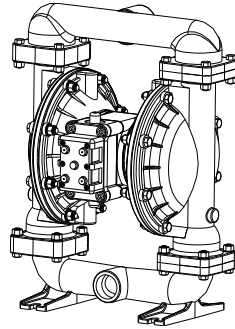
Quality System
ISO9001 Certified

Environmental
Management System
ISO14001 Certified

IDEX
FLUID & METERING



Air Inlet Side View



Air Exhaust Side View



See page 2
for ATEX ratings.



U.S. Patent #
5,996,627
Other U.S. Patents
Applied for

SANDPIPER®

A WARREN RUPP PUMP BRAND

**S15 Metallic
Design Level 1
Ball Valve**

**Air-Operated
Double Diaphragm Pump**

ENGINEERING, PERFORMANCE
& CONSTRUCTION DATA

INTAKE/DISCHARGE PIPE SIZE 1½" NPT (internal) 1½" BSP Tapered (internal)	CAPACITY 0 to 106 gallons per minute (0 to 401 liters per minute)	AIR VALVE No-lube, no-stall design	SOLIDS-HANDLING Up to .25 in. (6mm)	HEADS UP TO 125 psi or 289 ft. of water (8.6 Kg/cm ² or 86 meters)	DISPLACEMENT/STROKE .41 Gallon / 1.55 liter
---	--	---	---	--	---

CAUTION! *Operating temperature limitations are as follows:*

Materials

	Operating Temperatures	
	Maximum	Minimum
Nitrile: General purpose, oil-resistant. Shows good solvent, oil, water and hydraulic fluid resistance. Should not be used with highly polar solvents like acetone and MEK, ozone, chlorinated hydrocarbons and nitro hydrocarbons.	190° F 88° C	-10° F -23° C
EPDM: Shows very good water and chemical resistance. Has poor resistance to oil and solvents, but is fair in ketones and alcohols.	280° F 138° C	-40° F -40° C
Neoprene: All purpose. Resistant to vegetable oil. Generally not affected by moderate chemicals, fats, greases and many oils and solvents. Generally attacked by strong oxidizing acids, ketones, esters, nitro hydrocarbons and chlorinated aromatic hydrocarbons.	200° F 93° C	-10° F -23° C
Santoprene®: Injection molded thermoplastic elastomer with no fabric layer. Long mechanical flex life. Excellent abrasion resistance.	275° F 135° C	-40° F -40° C
Virgin PTFE: Chemically inert, virtually impervious. Very few chemicals are known to react chemically with PTFE- molten alkali metals, turbulent liquid or gaseous fluorine and a few fluoro-chemicals such as chlorine trifluoride or oxygen difluoride which readily liberate free fluorine at elevated temperatures.	220° F 104° C	-35° F -37° C
FKM (Fluorocarbon): Shows good resistance to a wide range of oils and solvents; especially all aliphatic, aromatic and halogenated hydrocarbons, acids, animal and vegetable oils. Hot water or hot aqueous solutions (over 70°F) will attack FKM.	350° F 177° C	-40° F -40° C
Polypropylene:	180° F 82° C	32° F 0° C
Polyethylene:	180° F 82° C	-35° F -37° C

For specific applications, always consult the Warren Rupp Chemical Resistance Chart

SANDPIPER® pumps are designed to be powered only by compressed air.

Explanation of Pump Nomenclature, S15 Metallic · Design Level 1 · Ball Valve

Model	Pump Brand	Pump Size	Check Valve Type	Design Level	Wetted Material	Diaphragm/Check Valve Materials	Check Valve Seat	Non-Wetted Material Options	Porting Options	Pump Style	Pump Options	Kit Options	Shipping Weight lbs. (kg)
S15B1ABWANS000.	S	15	B	1	A	B	W	A	N	S	0	00.	53 (24)
S15B1AEWANS000.	S	15	B	1	A	E	W	A	N	S	0	00.	53 (24)
S15B1ANWANS000.	S	15	B	1	A	N	W	A	N	S	0	00.	53 (24)
S15B1IBWANS000.	S	15	B	1	I	B	W	A	N	S	0	00.	93 (42)
S15B1IEWANS000.	S	15	B	1	I	E	W	A	N	S	0	00.	93 (42)
S15B1I1WANS000.	S	15	B	1	I	1	W	A	N	S	0	00.	93 (42)
S15B1IVTANS000.	S	15	B	1	I	V	T	A	N	S	0	00.	93 (42)
S15B1SGTANS000.	S	15	B	1	S	G	T	A	N	S	0	00.	95 (43)
S15B1S1WANS000.	S	15	B	1	S	1	W	A	N	S	0	00.	95 (43)
S15B1SVTANS000.	S	15	B	1	S	V	T	A	N	S	0	00.	95 (43)

Note: Models listed in the table are for reference only. See nomenclature below for other models.

Pump Brand
S= SANDPIPER®

Pump Size
15=1½"

Check Valve Type
B= Ball
W= Weighted Ball

Design Level
1= Design Level

Wetted Material
A= Aluminum
I= Cast Iron
S= Stainless Steel
H= Alloy C

Diaphragm Check Valve Materials
1= Santoprene/Santoprene
2= PTFE-Santoprene/PTFE
B= Nitrile/Nitrile
C= FKM/PTFE
E= EPDM/EPDM
I= EPDM/Santoprene
G= PTFE-Neoprene/PTFE
N= Neoprene/Neoprene
V= FKM/FKM
Z= One-Piece Bonded/PTFE

Check Valve Seat
A= Aluminum
C= Carbon Steel
S= Stainless Steel
T= PTFE
W= UHMW

Non-Wetted Material Options
A= Painted Aluminum
I= Cast Iron
J= Painted Aluminum w/PTFE Coated Hardware
S= Stainless Steel with Stainless Steel Hardware
Y= Painted Aluminum with Stainless Steel Hardware
Z= Cast Iron with Stainless Steel Hardware


Porting Options
N= NPT Threads
B= BSP (Tapered) Threads
R= Raised Face 150# Threaded ANSI Flange



Pump Style
S= Standard



Pump Options
0= None
1= Sound Dampening Muffler
2= Mesh Muffler
3= High temperature Air Valve w/Integral Muffler
4= High temperature Air Valve w/Sound Dampening Muffler
5= High temperature Air Valve w/Mesh Muffler
⚠6= Metal Muffler
⚠7= Metal Muffler with Grounding Cable



Kit Options
⚠00.= None
P0.= 10-30VDC Pulse Output Kit
◇ P1.= Intrinsically-Safe 5-30VDC, 110/120VAC 220/240 VAC Pulse Output Kit
P2.= 110/120 or 220/240VAC Pulse Output Kit
△ E0.= Solenoid Kit with 24VDC Coil
△ E1.= Solenoid Kit with 24VDC Explosion-Proof Coil
△ E2.= Solenoid Kit with 24VAC/12VDC Coil
△ E3.= Solenoid Kit with 12VDC Explosion-Proof Coil
△ E4.= Solenoid Kit with 110VAC Coil
△ E5.= Solenoid Kit with 110VAC Explosion-Proof Coil
E6.= Solenoid Kit with 220VAC Coil

Kit Options continued
△ E7.= Solenoid Kit with 220VAC Explosion-Proof Coil
△ E8.= Solenoid Kit with 110VAC, 50 Hz Explosion-Proof Coil
△ E9.= Solenoid Kit with 230VAC, 50 Hz Explosion-Proof Coil
SP.= Stroke Indicator Pins
◆ A1.= Solenoid Kit with 12 VDC Explosion-Proof Coil
◆ A2.= Solenoid Kit with 24 VDC Explosion-Proof Coil
◆ A3.= Solenoid Kit with 110/120 VAC 50/60 Hz Explosion-Proof Coil
◆ A4.= Solenoid Kit with 220/240 VAC 50/60 Hz Explosion-Proof Coil

(1)  II 2GD T5
⚠ Note: Pumps are only ATEX compliant when ordered with pump option 6 or 7, and kit option 0.

(2)  II 2G Ex ia c IIC T5
 II 2D c iaD 20 IP67 T100°C
◇ Note: Pumps ordered with the options listed in (1) to the left are ATEX compliant when ordered with kit option P1.

(3*)  II 2G EEx m c T5
 II 2D c IP65 T100°C
◆ Note: Pumps ordered with the options listed in (1) to the left are ATEX compliant when ordered with kit option A1, A2, A3, or A4.

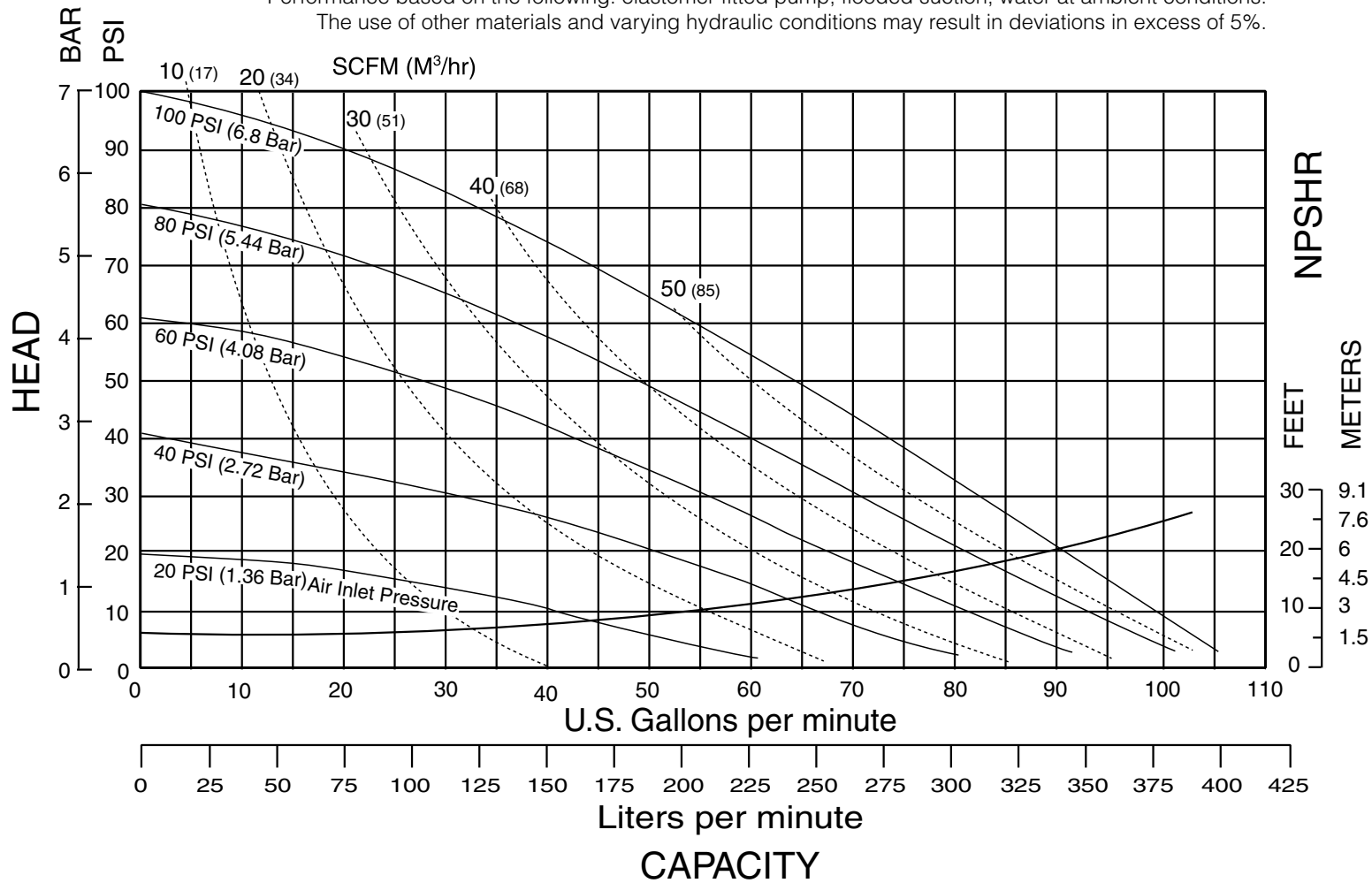
(4)  IEC EEx m T4 
△ Note: Pump models equipped with these explosion-proof solenoid kit options E1, E3, E5, E7, E8 or E9, are certified and approved by the above agencies. They are NOT ATEX compliant.

*Note: See page 18 for **Special Conditions For Safe Use.**

Performance Curve, S15 Metallic Design Level 1

MODEL S15 Metallic Performance Curve

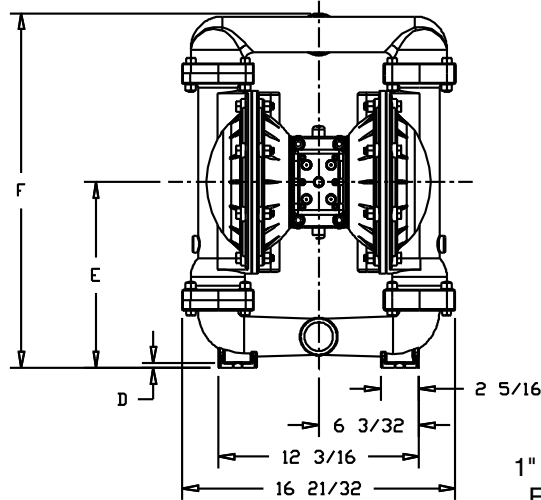
Performance based on the following: elastomer fitted pump, flooded suction, water at ambient conditions.
 The use of other materials and varying hydraulic conditions may result in deviations in excess of 5%.



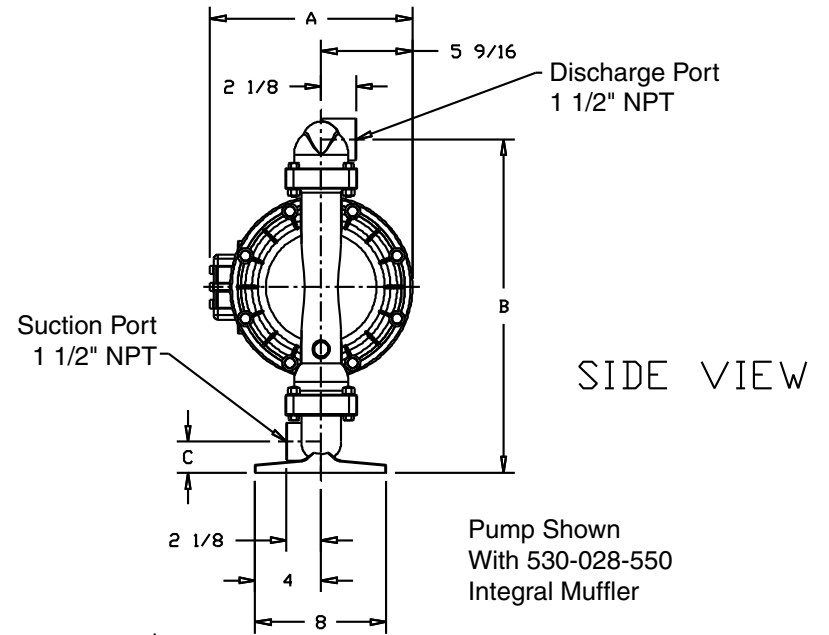
Dimensions: S15 Metallic

Dimensions in Inches

Dimensional Tolerance: $\pm 1/8"$



FRONT VIEW

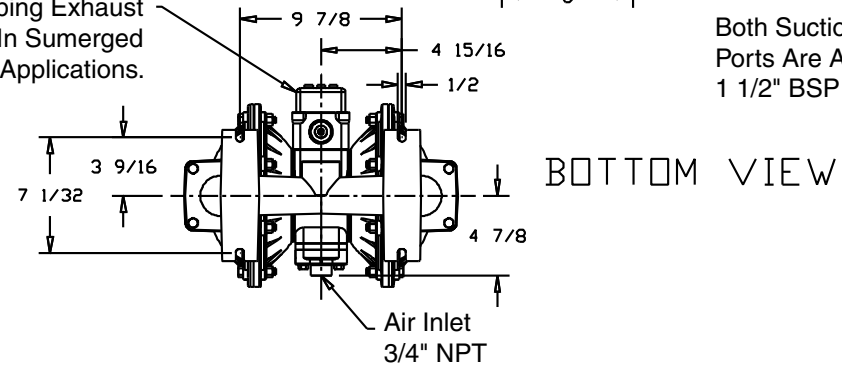


SIDE VIEW

Integral Muffler
1" NPT Exhaust Port
For optional Muffler
Styles or Piping Exhaust
Air In Submerged
Applications.

Pump Shown
With 530-028-550
Integral Muffler

Both Suction and Discharge
Ports Are Available With
1 1/2" BSP Tapered Connection



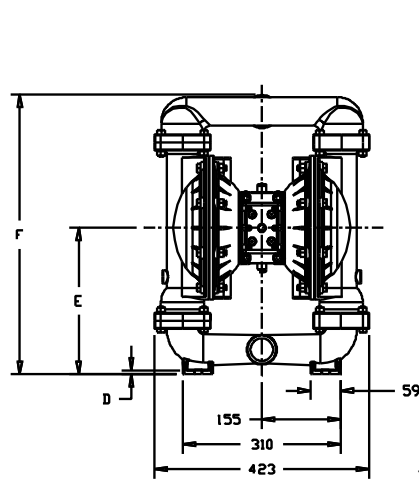
BOTTOM VIEW

Dimension	A	B	C	D	E	F
Integral Muffler	12 11/32					
Pulse Output Kit	12 11/32					
Aluminum		20 5/16	1 29/32	5/16	11 5/16	21 19/32
Stainless Steel		20 3/8	1 31/32	3/8	11 3/8	21 21/32
Mesh Muffler	14 15/16					
Sound Dampening Muffler	14 15/16					
Metal Muffler	14 1/2					

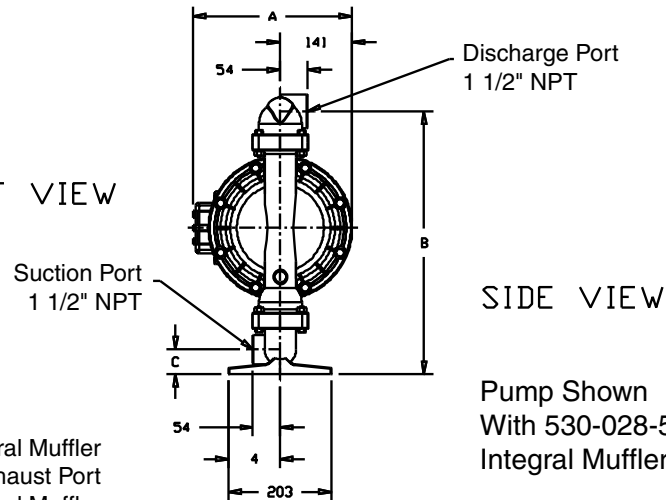
Metric Dimensions:

Dimensions in Millimeters

Dimensional Tolerance: ± 3mm



FRONT VIEW

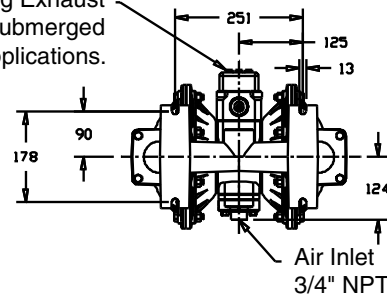


SIDE VIEW

Pump Shown
With 530-028-550
Integral Muffler

Integral Muffler
1" NPT Exhaust Port
For Optional Muffler
Styles or Piping Exhaust
Air in Submerged
Applications.

Both Suction and Discharge
Ports Are Available With
1 1/2" BSP Tapered Connection



BOTTOM VIEW

Air Inlet
3/4" NPT

Dimension	A	B	C	D	E	F
Integral Muffler	314					
Pulse Output Kit	314					
Aluminum		516	48	8	287	548
Stainless Steel		518	50	10	289	550
Mesh Muffler	379					
Sound Dampening Muffler	379					
Metal Muffler	368					

PRINCIPLE OF PUMP OPERATION

This ball type check valve pump is powered by compressed air and is a 1:1 ratio design. The inner side of one diaphragm chamber is alternately pressurized while simultaneously exhausting the other inner chamber. This causes the diaphragms, which are connected by a common rod secured by plates to the centers of the diaphragms, to move in a reciprocating action. (As one diaphragm performs the discharge stroke the other diaphragm is pulled to perform the suction stroke in the opposite chamber.) Air pressure is applied over the entire inner surface of the diaphragm while liquid is discharged from the opposite side of the diaphragm. The diaphragm operates in a balanced condition during the discharge stroke which allows the pump to be operated at discharge heads over 200 feet (61 meters) of water.

For maximum diaphragm life, keep the pump as close to the liquid being pumped as possible. Positive suction head in excess of 10 feet of liquid (3.048 meters) may require a back pressure regulating device to maximize diaphragm life.

Alternate pressurizing and exhausting of the diaphragm chamber is performed by an externally mounted, pilot operated, four way spool type air distribution valve. When the spool shifts to one end of the valve body, inlet pressure is applied to one diaphragm chamber and the other diaphragm chamber exhausts. When the spool shifts to the opposite end of the valve body, the pressure to the chambers

is reversed. The air distribution valve spool is moved by a internal pilot valve which alternately pressurizes one end of the air distribution valve spool while exhausting the other end. The pilot valve is shifted at each end of the diaphragm stroke when a actuator plunger is contacted by the diaphragm plate. This actuator plunger then pushes the end of the pilot valve spool into position to activate the air distribution valve.

The chambers are connected with manifolds with a suction and discharge check valve for each chamber, maintaining flow in one direction through the pump.

INSTALLATION AND START-UP

Locate the pump as close to the product being pumped as possible. Keep the suction line length and number of fittings to a minimum. Do not reduce the suction line diameter.

For installations of rigid piping, short sections of flexible hose should be installed between the pump and the piping. The flexible hose reduces vibration and strain to the pumping system. A Warren Rupp Tranquilizer® surge suppressor is recommended to further reduce pulsation in flow.

AIR SUPPLY

Air supply pressure cannot exceed 125 psi (8.6 bar). Connect the pump air inlet to an air supply of sufficient capacity and pressure required for desired performance. When the air supply line is solid piping, use a short length of flexible hose not less than ½" (13mm) in diameter between the pump and the piping to reduce strain to the

piping. The weight of the air supply line, regulators and filters must be supported by some means other than the air inlet cap. Failure to provide support for the piping may result in damage to the pump. A pressure regulating valve should be installed to insure air supply pressure does not exceed recommended limits.

AIR VALVE LUBRICATION

The air distribution valve and the pilot valve are designed to operate WITHOUT lubrication. This is the preferred mode of operation. There may be instances of personal preference or poor quality air supplies when lubrication of the compressed air supply is required. The pump air system will operate with properly lubricated compressed air supply. Proper lubrication requires the use of an air line lubricator (available from Warren Rupp) set to deliver one drop of SAE 10 non-detergent oil for every 20 SCFM (9.4 liters/sec.) of air the pump consumes at the point of operation. Consult the pump's published Performance Curve to determine this.

AIR LINE MOISTURE

Water in the compressed air supply can create problems such as icing or freezing of the exhaust air, causing the pump to cycle erratically or stop operating. Water in the air supply can be reduced by using a point-of-use air dryer to supplement the user's air drying equipment. This device removes water from the compressed air supply and alleviates the icing or freezing problems.

AIR INLET AND PRIMING

To start the pump, open the air valve approximately 1/2" to 3/4" turn. After the pump primes, the air valve can be opened to increase air flow as desired. If opening the valve increases cycling rate, but does not increase the rate of flow, cavitation has occurred. The valve should be closed slightly to obtain the most efficient air flow to pump flow ratio.

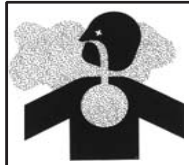
BETWEEN USES

When the pump is used for materials that tend to settle out or solidify when not in motion, the pump should be flushed after each use to prevent damage. (Product remaining in the pump between uses could dry out or settle out. This could cause problems with the diaphragms and check valves at restart.) In freezing temperatures the pump must be completely drained between uses in all cases.

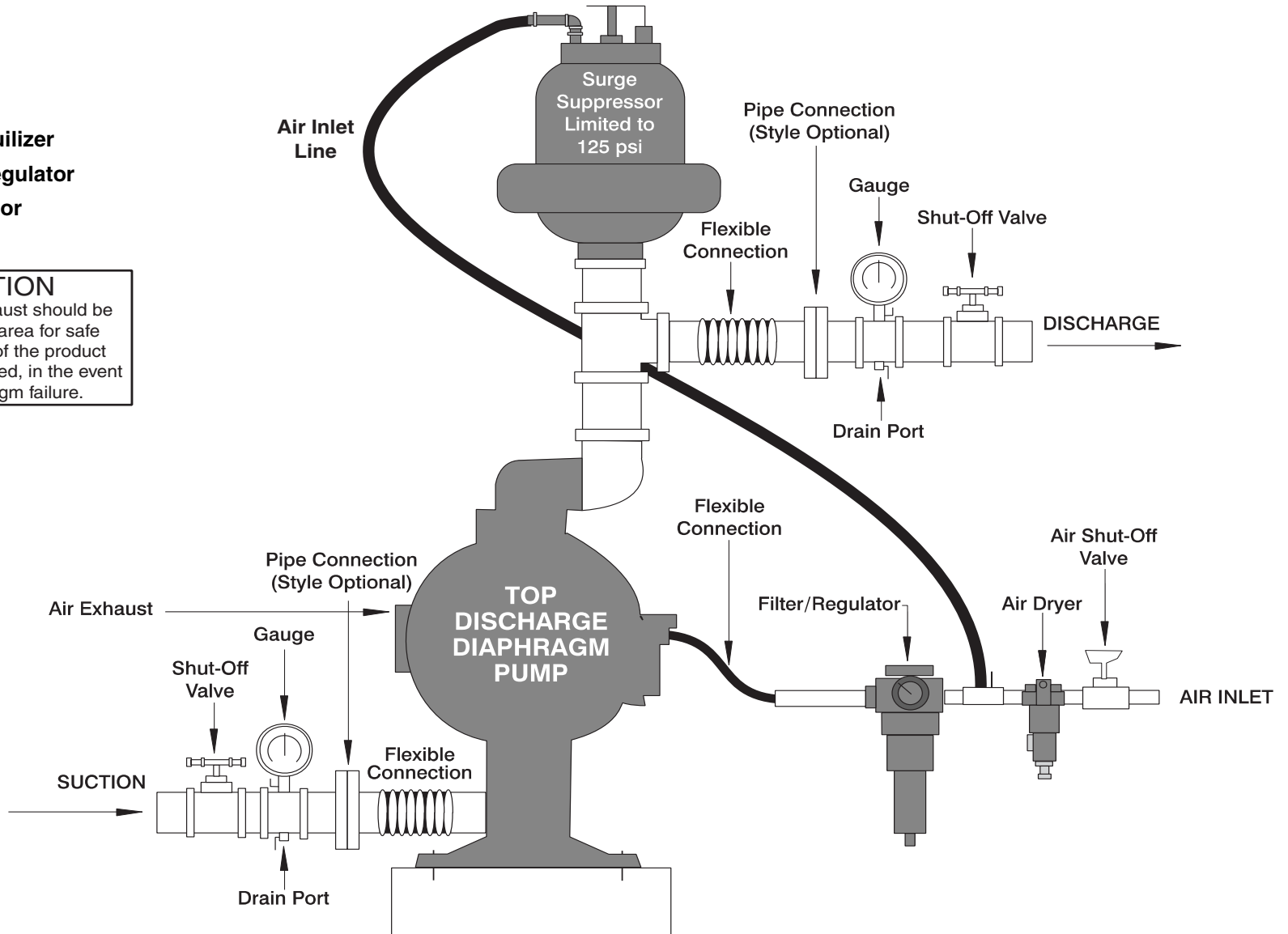
TYPICAL INSTALLATION GUIDE For Metallic Pumps

Available from
Warren Rupp

- ① TD1½ or TD40 Tranquilizer
- ② 020-050-000 Filter/Regulator
- ③ 020-050-001 Lubricator
- ④ Air Dryer



CAUTION
The air exhaust should be piped to an area for safe disposition of the product being pumped, in the event of a diaphragm failure.



TROUBLESHOOTING

Possible Symptoms:

- Pump will not cycle.
- Pump cycles, but produces no flow.
- Pump cycles, but flow rate is unsatisfactory.
- Pump cycle seems unbalanced.
- Pump cycle seems to produce excessive vibration.

What to Check: Excessive suction lift in system.

Corrective Action: For lifts exceeding 20 feet (6 meters), filling the pumping chambers with liquid will prime the pump in most cases.

What to Check: Excessive flooded suction in system.

Corrective Action: For flooded conditions exceeding 10 feet (3 meters) of liquid, install a back pressure device.

What to Check: System head exceeds air supply pressure.

Corrective Action: Increase the inlet air pressure to the pump. Most diaphragm pumps are designed for 1:1 pressure ratio at zero flow.

What to Check: Air supply pressure or volume exceeds system head.

Corrective Action: Decrease inlet air pressure and volume to the pump as calculated on the published PERFORMANCE CURVE. Pump is cavitating the fluid by fast cycling.

What to Check: Undersized suction line.

Corrective Action: Meet or exceed pump connection recommendations shown on the DIMENSIONAL DRAWING.

What to Check: Restricted or undersized air line.

Corrective Action: Install a larger air line and connection. Refer to air inlet recommendations shown in your pump's SERVICE MANUAL.

What to Check: Check ESADS+Plus, the Externally Serviceable Air Distribution System of the pump.

Corrective Action: Disassemble and inspect the main air distribution valve, pilot valve and pilot valve actuators. Refer to the parts drawing and air valve section of the SERVICE MANUAL. Check for clogged discharge or closed valve before reassembly.

What to Check: Rigid pipe connections to pump.

Corrective Action: Install flexible connectors and a Warren Rupp Tranquilizer® Surge Suppressor.

What to Check: Blocked air exhaust muffler.

Corrective Action: Remove muffler screen, clean or de-ice and reinstall. Refer to the Air Exhaust section of your pump SERVICE MANUAL.

What to Check: Pumped fluid in air exhaust muffler.

Corrective Action: Disassemble pump chambers. Inspect for diaphragm rupture or loose diaphragm plate assembly. Refer to the Diaphragm Replacement section of your pump SERVICE MANUAL.

What to Check: Suction side air leakage or air in product.

Corrective Action: Visually inspect all suction side gaskets and pipe connections.

What to Check: Obstructed check valve.

Corrective Action: Disassemble the wet end of the pump and manually dislodge obstruction in the check valve pocket. Refer to the Check Valve section of the pump SERVICE MANUAL for disassembly instructions.

What to Check: Worn or misaligned check valve or check valve seat.

Corrective Action: Inspect check valves and seats for wear and proper seating. Replace if necessary. Refer to Check Valve section of the pump SERVICE MANUAL for disassembly instructions.

What to Check: Blocked suction line.

Corrective Action: Remove or flush obstruction. Check and clear all suction screens and strainers.

What to Check: Blocked discharge line.

Corrective Action: Check for obstruction or closed discharge line valves.

What to Check: Blocked pumping chamber.

Corrective Action: Disassemble and inspect the wetted chambers of the pump. Remove or flush any obstructions. Refer to the pump SERVICE MANUAL for disassembly instructions.

What to Check: Entrained air or vapor lock in one or both pumping chambers.

Corrective Action: Purge chambers through tapped chamber vent plugs. PURGING THE CHAMBERS OF AIR CAN BE DANGEROUS! Contact the Warren Rupp Technical Services Group before performing this procedure. Any model with top-ported discharge will reduce or eliminate problems with entrained air.

If your pump continues to perform below your expectations, contact your local Warren Rupp Distributor or factory Technical Services Group for a service evaluation.

WARRANTY

Refer to the enclosed Warren Rupp Warranty Certificate.


Recycling

Many components of SANDPIPER® Metallic AODD pumps are made of recyclable materials (see chart on page 10 for material specifications). We encourage pump users to recycle worn out parts and pumps whenever possible, after any hazardous pumped fluids are thoroughly flushed.



Pump complies with EN809 Pumping Directive, Directive 98/37/EC Safety of Machinery, and Directive 94/9/EC, EN13463-1 Equipment for use in Potentially Explosive Environments. For reference to the directive certificates visit: www.warrenrupp.com. The Technical File No. AX1 is stored at KEMA, Notified Body 0344, under Document #203040000.

IMPORTANT SAFETY INFORMATION



⚠ IMPORTANT

Read these safety warnings and instructions in this manual completely, before installation and start-up of the pump. It is the responsibility of the purchaser to retain this manual for reference. Failure to comply with the recommendations stated in this manual will damage the pump, and void factory warranty.



⚠ CAUTION

Before pump operation, inspect all gasketed fasteners for looseness caused by gasket creep. Retorque loose fasteners to prevent leakage. Follow recommended torques stated in this manual.




⚠ WARNING

Before maintenance or repair, shut off the compressed air line, bleed the pressure, and disconnect the air line from the pump. The discharge line may be pressurized and must be bled of its pressure.




⚠ WARNING

In the event of diaphragm rupture, pumped material may enter the air end of the pump, and be discharged into the atmosphere. If pumping a product which is hazardous or toxic, the air exhaust must be piped to an appropriate area for safe disposition.



⚠ WARNING

Take action to prevent static sparking. Fire or explosion can result, especially when handling flammable liquids. The pump, piping, valves, containers or other miscellaneous equipment must be grounded. (See page 28)



⚠ WARNING

This pump is pressurized internally with air pressure during operation. Always make certain that all bolting is in good condition and that all of the correct bolting is reinstalled during assembly.



⚠ WARNING

When used for toxic or aggressive fluids, the pump should always be flushed clean prior to disassembly.



⚠ WARNING

Before doing any maintenance on the pump, be certain all pressure is completely vented from the pump, suction, discharge, piping, and all other openings and connections. Be certain the air supply is locked out or made non-operational, so that it cannot be started while work is being done on the pump. Be certain that approved eye protection and protective clothing are worn all times in the vicinity of the pump. Failure to follow these recommendations may result in serious injury or death.



⚠ WARNING

Airborne particles and loud noise hazards. Wear ear and eye protection.

Material Codes

The Last 3 Digits of Part Number

000	Assembly, sub-assembly; and some purchased items	180	Copper Alloy	378	High Density Polypropylene	604	PTFE
010	Cast Iron	305	Carbon Steel, Black Epoxy Coated	379	Conductive Nitrile	606	PTFE
012	Powered Metal	306	Carbon Steel, Black PTFE Coated	405	Cellulose Fibre	607	Envelon
015	Ductile Iron	307	Aluminum, Black Epoxy Coated	408	Cork and Neoprene	608	Conductive PTFE
020	Ferritic Malleable Iron	308	Stainless Steel, Black PTFE Coated	425	Compressed Fibre	610	PTFE Integral Silicon
025	Music Wire	309	Aluminum, Black PTFE Coated	426	Blue Gard	611	PTFE, Hytrel/PTFE
080	Carbon Steel, AISI B-1112	310	PVDF Coated	440	Vegetable Fibre	632	Neoprene/Hytrel
100	Alloy 20	330	Zinc Plated Steel	465	Fibre	633	FKM (Fluorocarbon)/PTFE
110	Alloy Type 316 Stainless Steel	331	Chrome Plated Steel	500	Delrin 500	634	EPDM/PTFE
111	Alloy Type 316 Stainless Steel (Electro Polished)	332	Aluminum, Electroless Nickel Plated	501	Delrin 570	635	Neoprene/PTFE
112	Alloy C	333	Carbon Steel, Electroless Nickel Plated	502	Conductive Acetal, ESD-800	637	PTFE, FKM (Fluorocarbon)/PTFE
113	Alloy Type 316 Stainless Steel (Hand Polished)	335	Galvanized Steel	503	Conductive Acetal, Glass-Filled	638	PTFE, Hytrel/PTFE
114	303 Stainless Steel	336	Zinc Plated Yellow Brass	505	Acrylic Resin Plastic	639	Nitrile/TFE
115	302/304 Stainless Steel	337	Silver Plated Steel	506	Delrin 150	643	Santoprene/EPDM
117	440-C Stainless Steel (Martensitic)	340	Nickel Plated	520	Injection Molded PVDF Natural color	644	Santoprene/PTFE
120	416 Stainless Steel (Wrought Martensitic)	342	Filled Nylon	521	Conductive PVDF	650	Bonded Santoprene and PTFE
123	410 Stainless Steel (Wrought Martensitic)	353	Geolast; Color: Black	540	Nylon	654	Santoprene Diaphragm, PTFE Overlay Balls and seals
148	Hardcoat Anodized Aluminum	354	Injection Molded #203-40 Santoprene- Duro 40D +/-5; Color: RED	541	Nylon	656	Santoprene Diaphragm and Check Balls/EPDM Seats
149	2024-T4 Aluminum	355	Thermal Plastic	542	Nylon	661	EPDM/Santoprene
150	6061-T6 Aluminum	356	Hytrel	544	Nylon Injection Molded		
151	6063-T6 Aluminum	357	Injection Molded Polyurethane	550	Polyethylene		
152	2024-T4 Aluminum (2023-T351)	358	Urethane Rubber (Some Applications) (Compression Mold)	551	Glass Filled Polypropylene		
154	Almag 35 Aluminum	359	Urethane Rubber	552	Unfilled Polypropylene		
155	356-T6 Aluminum	360	Nitrile Rubber. Color coded: RED	553	Unfilled Polypropylene		
156	356-T6 Aluminum	361	FDA Accepted Nitrile	555	Polyvinyl Chloride		
157	Die Cast Aluminum Alloy #380	363	FKM (Fluorocarbon). Color coded: YELLOW	556	Black Vinyl		
158	Aluminum Alloy SR-319	364	E.P.D.M. Rubber. Color coded: BLUE	557	Conductive Polypropylene		
159	Anodized Aluminum	365	Neoprene Rubber. Color coded: GREEN	558	Conductive HDPE		
162	Brass, Yellow, Screw Machine Stock	366	Food Grade Nitrile	559	Glass-Filled Conductive Polypropylene		
165	Cast Bronze, 85-5-5-5	368	Food Grade EPDM	570	Rulon II		
166	Bronze, SAE 660	370	Butyl Rubber. Color coded: BROWN	580	Ryton		
170	Bronze, Bearing Type, Oil Impregnated	371	Philthane (Tuftane)	590	Valox		
175	Die Cast Zinc	374	Carboxylated Nitrile	591	Nylatron G-S		
		375	Fluorinated Nitrile	592	Nylatron NSB		
				600	PTFE (virgin material)		
					Tetrafluorocarbon (TFE)		
				601	PTFE (Bronze and moly filled)		
				602	Filled PTFE		
				603	Blue Gylon		

Delrin and Hytrel are registered tradenames of E.I. DuPont.

Gylon is a registered tradename of Garlock, Inc.

Nylatron is a registered tradename of Polymer Corp.

Santoprene is a registered tradename of Monsanto Corp.

Rulon II is a registered tradename of Dixion Industries Corp.

Ryton is a registered tradename of Phillips Chemical Co.

Valox is a registered tradename of General Electric Co.

Warren Rupp, SANDPIPER, Portapump, Tranquillizers and SludgeMaser are registered tradenames of Warren Rupp, Inc.

Composite Repair Parts Drawing

AVAILABLE SERVICE AND CONVERSION KITS

- 476-227-000 AIR END KIT** (Use With Aluminum Center)
Air Valve Assembly, Pilot Valve Assembly, Seals, Bumpers, Gaskets, Plunger and O-rings.
- 476-170-000 AIR END KIT** (Air Valve with Stroke Indicator Pin, Aluminum Center)
Seals, O-ring, Gaskets, Retaining Rings, Air Valve Sleeve and Spool Set, and Pilot Valve Assembly.
- 476-182-360 WET END KIT**
Nitrile Diaphragms, Balls, and Polyethylene Seats.
- 476-182-354 WET END KIT**
Santoprene Diaphragms, Balls and Polyethylene Seats.
- 476-182-365 WET END KIT**
Neoprene Diaphragms, Balls, and Polyethylene Seats.
- 476-182-633 WET END KIT**
FKM Diaphragms, PTFE Balls and Seats.
- 476-182-635 WET END KIT**
Neoprene Diaphragms, PTFE Overlay, Balls and Seats.
- 476-182-364 WET END KIT**
EPDM Diaphragms, Balls and UHMW Seats.
- 476-182-654 WET END KIT**
Santoprene Diaphragms, PTFE Overlay, PTFE Balls, PTFE Seats.
- 476-182-659 WETTED END KIT**
One-Piece Bonded PTFE/Nitrile Diaphragm, PTFE Balls, PTFE Seats.
- 475-215-000 MIDSECTION CONVERSION KIT**
(Replaces Aluminum Midsection With Cast Iron Components.) Air Inlet Cap, Intermediate Bracket, Inner Chambers and Inner Diaphragm Plates.

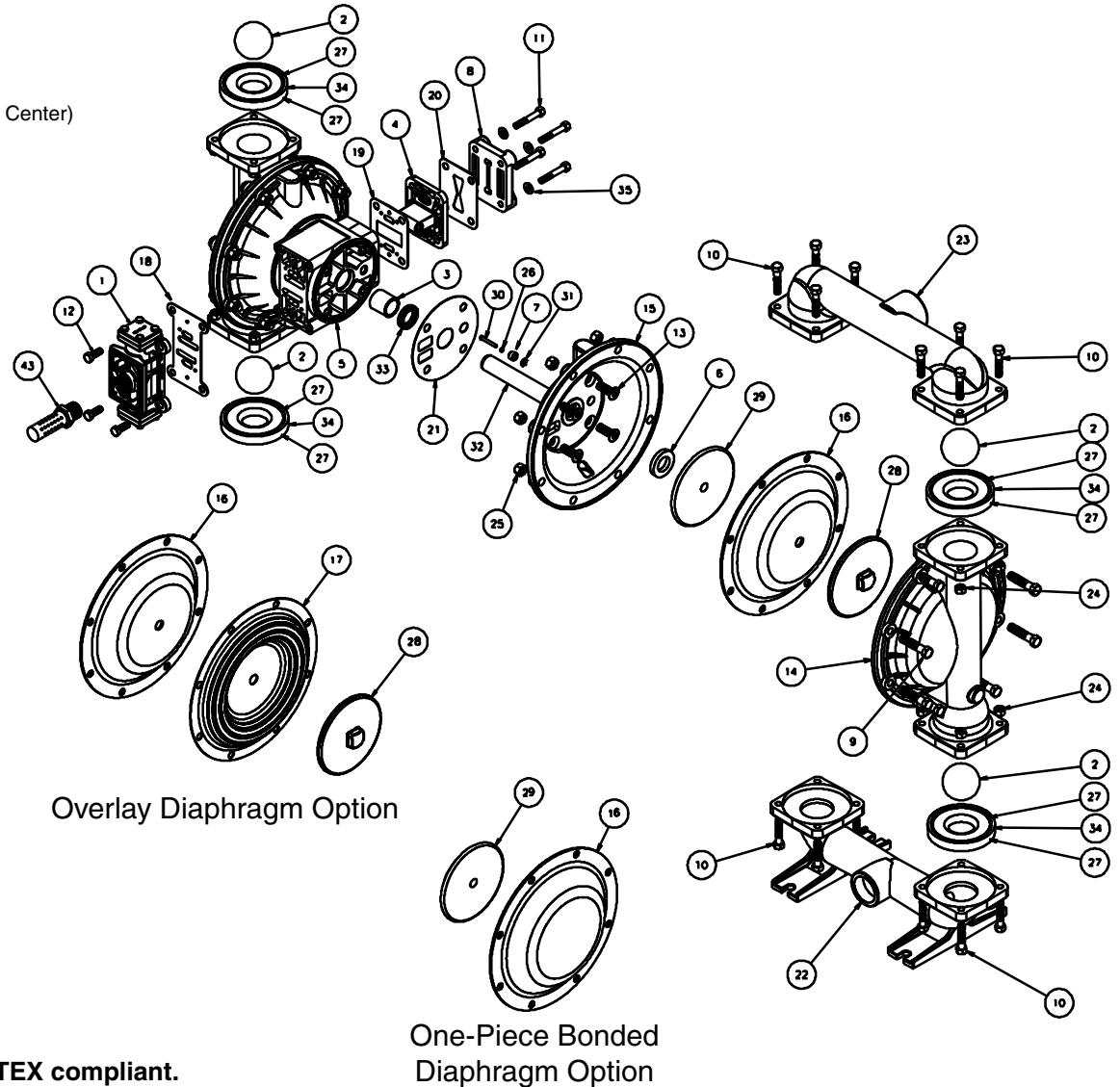
HARDWARE KITS

- 475-205-330 Zinc Plated Capscrews, Washers, and Hex Nuts
475-205-115 Stainless Steel Capscrews, Washers, and Hex Nuts

**ELECTRONIC LEAK DETECTOR KITS

- 032-040-000 100VAC
032-037-000 220VAC

****Note: Pumps equipped with these components are not ATEX compliant.**

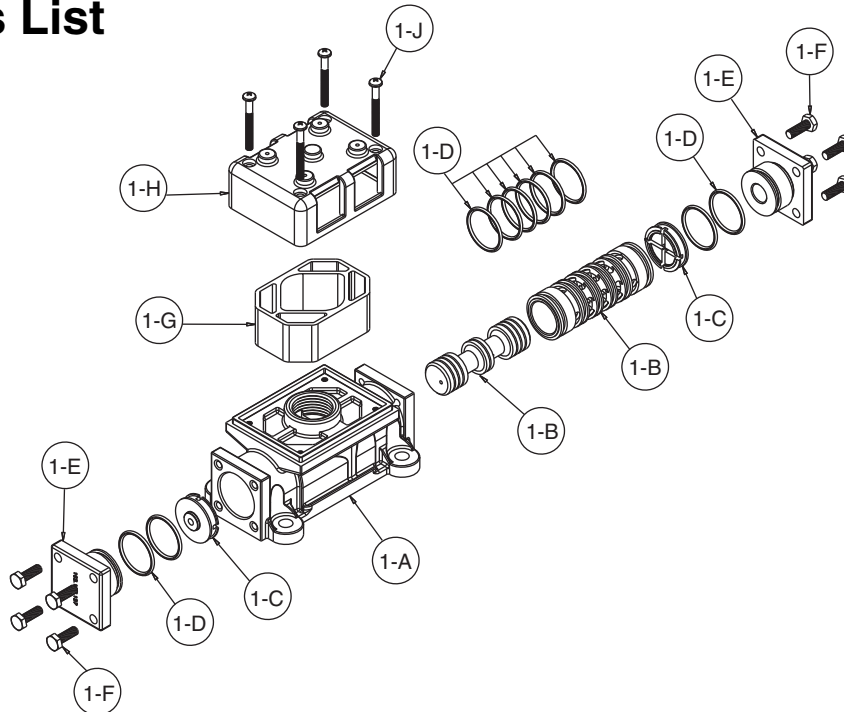


Composite Repair Parts List



ITEM	PART NUMBER	DESCRIPTION	QTY	ITEM	PART NUMBER	DESCRIPTION	QTY
1	031-140-000	Air Valve Assembly w/Integral muffler (Cast Iron Centers Only)	1	19	360-103-360	Gasket, Pilot Valve	1
	031-141-000	Air Valve Assembly (Cast Iron Centers Only)	1	20	360-104-379	Gasket, Air Inlet	1
	▲ 031-146-000	Air Valve Assembly w/Integral muffler (Stroke Indicator Only)	1	21	360-105-360	Gasket, Inner Chamber	2
	▲ 031-147-000	Air Valve Assembly (Stroke Indicator Only)	1	22	518-151-156	Manifold, Suction	1
	031-173-000	Air Valve Assembly w/Integral muffler	1		518-151-156E	Manifold, Suction 1-1/2" BSP Tapered	1
	031-173-001	Air Valve Assembly (with Stainless Steel Hardware)	1		518-151-010	Manifold, Suction	1
	▲ 031-183-000	Air Valve Assembly	1		518-151-010E	Manifold, Suction 1-1/ 2" BSP Tapered	1
	▲ 031-179-000	Air Valve Assembly (Cast Iron or Stainless Steel Centers Only)	1		518-151-110	Manifold, Suction	1
2	050-005-354	Ball, Check	4		518-151-110E	Manifold, Suction 1-1/ 2" BSP Tapered	1
	050-005-360	Ball, Check	4	23	518-152-156	Manifold, Discharge	1
	050-005-360W	Ball, Weighted Check	4		518-152-156E	Manifold, Discharge 1-1/ 2" BSP Tapered	1
	050-005-363	Ball, Check	4		518-152-010	Manifold, Discharge	1
	050-005-364	Ball, Check	4		518-152-010E	Manifold, Discharge 1-1/ 2" BSP Tapered	1
	050-005-365	Ball, Check	4		518-152-110	Manifold, Discharge	1
	050-005-365W	Ball, Weighted Check	4		518-152-110E	Manifold, Discharge 1-1/ 2" BSP Tapered	1
	050-010-600	Ball, Check	4	24	545-005-115	Nut, Hex 3/8-16	16
3	070-006-170	Bushing	2		545-005-330	Nut, Hex 3/8-16	16
4	095-110-000	Pilot Valve Assembly	1	25	545-007-115	Nut, Hex 7/16-14	16
	095-110-558	Pilot Valve Assembly (Cast Iron Centers Only)	1		545-007-330	Nut, Hex 7/16-14	16
	095-095-110	Pilot Valve Assembly (Stainless Steel Centers Only)	1	26	560-001-379	O-Ring	2
5	114-024-157	Intermediate Bracket	1	27	560-084-360	Seal (O-Ring) (See item 34)	8
	114-024-010	Intermediate Bracket	1		560-084-363	Seal (O-Ring) (See item 34)	8
	114-024-110	Intermediate Bracket (Stainless Steel Centers Only)	1		560-084-364	Seal (O-Ring) (See item 34)	8
6	132-035-360	Bumper, Diaphragm	2		560-084-365	O-Ring	8
7	135-034-506	Bushing, Plunger	2		720-061-608	Seal (O-Ring) (See item 34)	8
8	165-118-157	Cap, Air Inlet Assembly	1	28	612-039-157	Plate, Outer Diaphragm Assembly	2
	165-118-010	Cap, Air Inlet Assembly	1		612-039-010	Plate, Outer Diaphragm Assembly	2
	165-118-110	Cap, Air Inlet Assembly (Stainless Steel Centers Only)	1		612-097-110	Plate, Outer Diaphragm Assembly	2
9	170-060-115	Capscrew, Hex Hd 7/16-14 X 2.00	16	29	612-195-157	Plate, Inner Diaphragm	2
	170-060-330	Capscrew, Hex Hd 7/16-14 X 2.00	16		612-195-010	Plate, Inner Diaphragm	2
10	170-061-115	Capscrew, Hex Hd 3/8-16 X 1.75	16		612-217-150	Plate, Inner Diaphragm (use with one-piece diaphragm)	2
	170-061-330	Capscrew, Hex Hd 3/8-16 X 1.75	16	30	620-020-115	Plunger, Actuator	2
11	170-069-115	Capscrew, Hex Hd 5/16-18 X 1.75	4	31	675-042-115	Ring, Retaining	2
	170-069-330	Capscrew, Hex Hd 5/16-18 X 1.75	4	32	685-059-120	Rod, Diaphragm	1
12	170-006-115	Capscrew, Hex HD 3/8-16 X 1.00	4	33	720-004-360	Seal, Diaphragm Rod	2
	170-006-330	Capscrew, Hex HD 3/8-16 X 1.00	4	34	722-091-550	Seat, Check Ball	4
	171-053-115	Capscrew, Soc Hd 3/8-16 X 2.50 (Stroke Indicator Only)	4		722-091-080	Seat, Check Ball (seals required see item 27)	4
	171-053-330	Capscrew, Soc Hd 3/8-16 X 2.50 (Stroke Indicator Only)	4		722-091-110	Seat, Check Ball (seals required see item 27)	4
	171-011-115	Capscrew, Soc Hd 1/2-13 x 1.00 (Stainless Center)	8		722-091-150	Seat, Check Ball (seals required see item 27)	4
13	171-059-115	Capscrew, Soc Hd 7/16-14 X 1.25	8		722-091-600	Seat, Check Ball	4
	171-059-330	Capscrew, Soc Hd 7/16-14 X 1.25	8	35	901-038-115	Washer, Flat 5/16	4
14	196-169-156	Chamber, Outer	2		901-038-330	Washer, Flat 5/16	4
	196-169-010	Chamber, Outer	2	36	901-048-115	Washer, Flat 3/8 (Stroke Indicator Only)	4
	196-169-110	Chamber, Outer	2		901-048-330	Washer, Flat 3/8 (Stroke Indicator Only)	4
15	196-170-157	Chamber, Inner	2	37	570-009-363	Pad, Wear (use with #286-099-363)	2
	196-170-010	Chamber, Inner	2	▲43	530-033-000	Metal Muffler (for other muffler options see pg. 24)	1
	196-170-110	Chamber, Inner	2				
16	286-099-354	Diaphragm	2	Parts not shown used with Raised Face Flange Porting Option.			
	286-099-360	Diaphragm	2	170-035-330	Hex Cap Screw	4	
	286-099-363	Diaphragm	2	326-051-080	Mounting Bracket	2	
	286-099-364	Diaphragm	2	334-113-110	1½" Raised Face, 150# ANSI Flange	2	
	286-099-365	Diaphragm	2	538-036-110	Pipe Nipple 1½" NPT x 2"	2	
17	286-099-600	Diaphragm, Overlay	2	545-005-330	Hex Nut	4	
	286-113-000	Diaphragm, One-Piece Bonded	2	900-006-330	Lock Washer	4	
18	360-093-360	Gasket, Air Valve	1	901-022-330	Flat Washer	8	

Air Valve Servicing, Assembly Drawing (Use With Aluminum Centers Only) & Parts List



**AIR VALVE ASSEMBLY PARTS LIST

Item	Part Number	Description	Qty
1	031-173-000	Air Valve Assembly	1
1-A	095-109-157	Body, Air Valve	1
1-B	031-139-000	Sleeve and Spool Set	1
1-C	132-029-357	Bumper	2
1-D	560-020-360	O-Ring	10
1-E	165-127-157	Cap, End	2
1-F	170-032-330	Hex Head Capscrew 1/4-20 x .75	8
1-G	530-028-550	Muffer	1
1-H	165-096-551	Muffer Cap	1
1-J	706-026-330	Machine Screw	4

**AIR VALVE ASSEMBLY PARTS LIST

1	031-173-001	Air Valve Assembly	1
Consists of all components above except:			
1-F	170-032-115	Hex Head Capscrew 1/4-20 x .75	8
1-J	706-026-115	Machine Screw	4

****Note: Pumps equipped with this valve assembly are not ATEX compliant.**

AIR DISTRIBUTION VALVE SERVICING

To service the air valve first shut off the compressed air, bleed pressure from the pump, and disconnect the air supply line from the pump.

Step #1: See COMPOSITE REPAIR PARTS DRAWING.

Using a 9/16" wrench or socket, remove the four hex capscrews (items 12). Remove the air valve assembly from the pump.

Remove and inspect gasket (item 18) for cracks or damage. Replace gasket if needed.

Step #2: Disassembly of the air valve.

Using a 7/16" wrench or socket, remove the eight hex capscrews (items 1-F) that

fasten the end caps to the valve body. Next remove the two end caps (items 1-E). Inspect the two o-rings (items 1-D) on each end cap for damage or wear. Replace the bumpers as needed.

Remove the bumpers (items 1-C). Inspect the bumpers for damage or wear. Replace the bumpers as needed.

Remove the spool (part of item 1-B) from the sleeve. Be careful not to scratch or damage the outer diameter of the spool. Wipe spool with a soft cloth and inspect for scratches or wear.

Inspect the inner diameter of the sleeve (part of item 1-B) for dirt, scratches, or other contaminants. Remove the sleeve if needed and replace with a new sleeve and spool set (item 1-B).

Step #3: Reassembly of the air valve.

Install one bumper (item 1-C) and one end cap (item 1-E), with two o-rings (items 1-D), and fasten with four hex capscrews (items 1-F) to the valve body (item 1-A).

Remove the new sleeve and spool set (item 1-B) from the plastic bag. Carefully remove the spool from the sleeve. Install the six o-rings (item 1-D) into the six grooves on the sleeve. Apply a light coating of grease to the o-rings before installing the sleeve into the valve body (item 1-A), align the slots in the sleeve with the slots in the valve body. Insert the spool into the sleeve. Be careful not to scratch or damage the spool during installation. Carefully insert the sleeve into the bumper and end cap (with o-rings) and fasten with the remaining hex capscrews.

Fasten the air valve assembly (item 1) and gasket to the pump. Connect the compressed air line to the pump. The pump is now ready for operation.

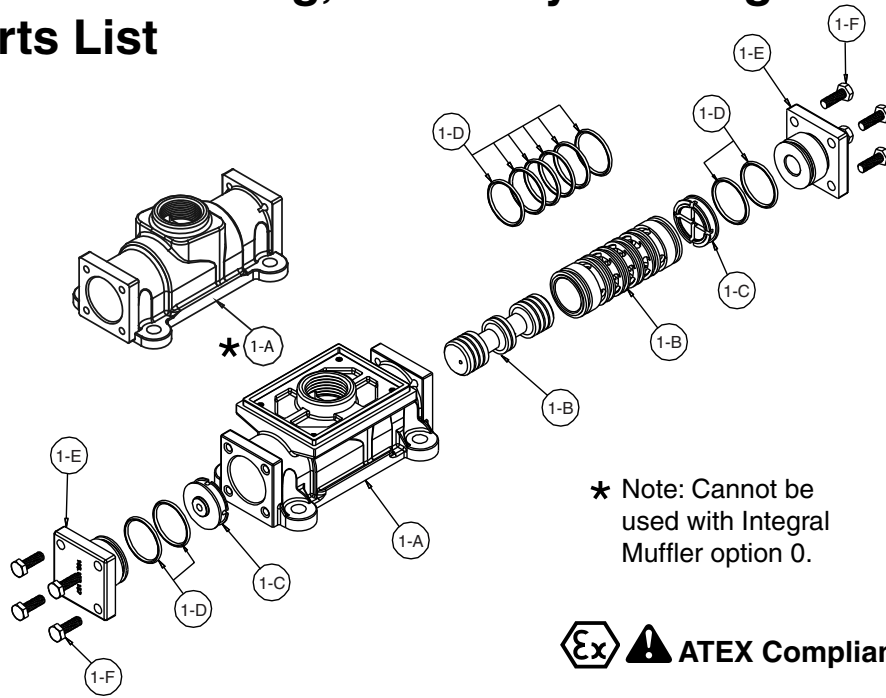


! IMPORTANT

Read these instructions completely, before installation and start-up. It is the responsibility of the purchaser to retain

this manual for reference. Failure to comply with the recommendations stated in this manual will damage the pump, and void factory warranty.

Air Valve Servicing, Assembly Drawing & Parts List



★ Note: Cannot be used with Integral Muffler option 0.

Ex **ATEX Compliant**

AIR VALVE ASSEMBLY PARTS LIST (Use w/Aluminum centers only)

Item	Part Number	Description	Qty
▲ 1	031-183-000	Air Valve Assembly	1
1-A	095-109-157	Body, Air Valve	1
1-B	031-139-000	Sleeve and Spool Set	1
1-C	132-029-357	Bumper	2
1-D	560-020-360	O-Ring	10
1-E	165-127-157	Cap, End	2
1-F	170-032-330	Hex Head Capscrew 1/4-20 x .75	8

AIR VALVE ASSEMBLY PARTS LIST

▲ 1	031-183-001	Air Valve Assembly	1
Consists of all components above except:			
1-F	170-032-115	Hex Head Capscrew 1/4-20 x .75	8

AIR VALVE ASSEMBLY PARTS LIST (Use w/Cast Iron and Stainless Steel centers only)

Item	Part Number ★	Description	Qty
1	031-179-000	Air Valve Assembly	1
1-A	095-109-110	Body, Air Valve	1
1-B	031-139-000	Sleeve and Spool Set	1
1-C	132-029-357	Bumper	2
1-D	560-020-379	O-Ring	10
1-E	165-127-110	Cap, End	2
1-F	170-032-115	Hex Head Capscrew 1/4-20 x .75	8

AIR DISTRIBUTION VALVE SERVICING

To service the air valve first shut off the compressed air, bleed pressure from the pump, and disconnect the air supply line from the pump.

Step #1: See COMPOSITE REPAIR PARTS DRAWING.

Using a 9/16" wrench or socket, remove the four hex capscrews (items 12). Remove the air valve assembly from the pump.

Remove and inspect gasket (item 18) for cracks or damage. Replace gasket if needed.

Step #2: Disassembly of the air valve.

Using a 7/16" wrench or socket, remove the eight hex capscrews (items 1-F) that

fasten the end caps to the valve body. Next remove the two end caps (items 1-E). Inspect the two o-rings (items 1-D) on each end cap for damage or wear. Replace the o-rings as needed.

Remove the bumpers (items 1-C). Inspect the bumpers for damage or wear. Replace the bumpers as needed.

Remove the spool (part of item 1-B) from the sleeve. Be careful not to scratch or damage the outer diameter of the spool. Wipe spool with a soft cloth and inspect for scratches or wear.

Inspect the inner diameter of the sleeve (part of item 1-B) for dirt, scratches, or other contaminants. Remove the sleeve if needed and replace with a new sleeve and spool set (item 1-B).

Step #3: Reassembly of the air valve.

Install one bumper (item 1-C) and one end cap (item 1-E), with two o-rings (items 1-D), and fasten with four hex capscrews (items 1-F) to the valve body (item 1-A).

Remove the new sleeve and spool set (item 1-B) from the plastic bag. Carefully remove the spool from the sleeve. Install the six o-rings (item 1-D) into the six grooves on the sleeve. Apply a light coating of grease to the o-rings before installing the sleeve into the valve body (item 1-A), align the slots in the sleeve with the slots in the valve body. Insert the spool into the sleeve. Be careful not to scratch or damage the spool during installation. Carefully insert the sleeve into the bumper and end cap (with o-rings) and fasten with the remaining hex capscrews.

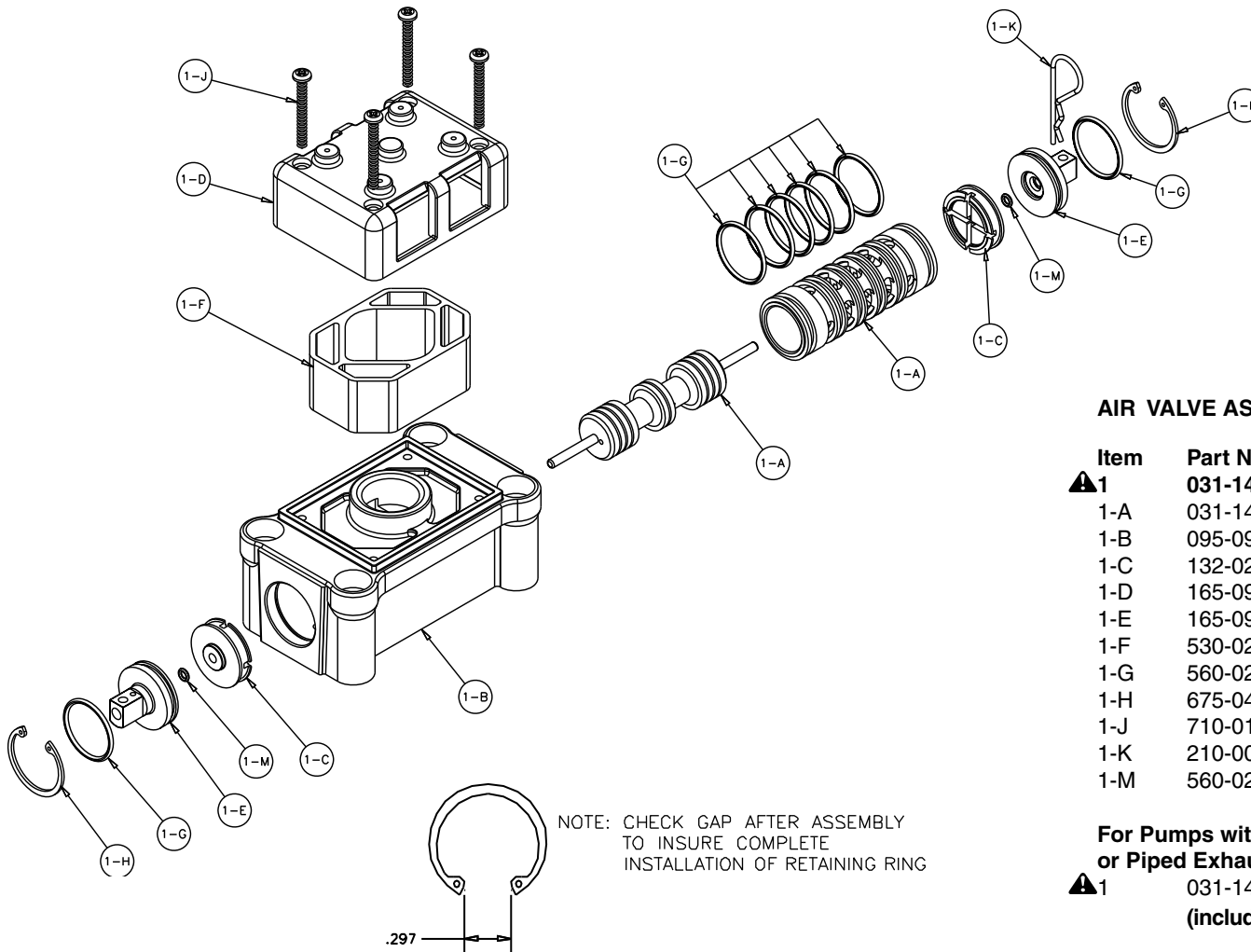
Fasten the air valve assembly (item 1) and gasket to the pump. Connect the compressed air line to the pump. The pump is now ready for operation.



! IMPORTANT

Read these instructions completely, before installation and start-up. It is the responsibility of the purchaser to retain this manual for reference. Failure to comply with the recommendations stated in this manual will damage the pump, and void factory warranty.

Air Valve with Stroke Indicator Assembly Drawing & Parts List



AIR VALVE ASSEMBLY PARTS LIST

Item	Part Number	Description	Qty
▲1	031-146-000	Air Valve Assembly	1
1-A	031-143-000	Sleeve and Spool Set	1
1-B	095-094-559	Body, Air Valve	1
1-C	132-029-552	Bumper	2
1-D	165-096-559	Cap, Muffler	1
1-E	165-098-147	Cap, End	2
1-F	530-028-550	Muffler	1
1-G	560-020-360	O-Ring	8
1-H	675-044-115	Ring, Retaining	2
1-J	710-015-115	Screw, Self Tapping	4
1-K	210-008-330	Clip, Safety	1
1-M	560-029-360	O-Ring	2

For Pumps with Alternate Mesh, Sound Dampening Mufflers or Piped Exhaust:

▲1	031-147-000	Air Valve Assembly	1
			(includes all items on 031-146-000 minus 1-D, 1-F, & 1-J).

Ex **▲** ATEX Compliant

AIR DISTRIBUTION VALVE WITH STROKE INDICATOR OPTION SERVICING

To service the air valve first shut off the compressed air supply, bleed the pressure from the pump, and disconnect the air supply line from the pump.

Step #1: See COMPOSITE REPAIR PARTS DRAWING.

Using a 5/16" Allen wrench, remove the four hex socket capscrews (item 12) and four flat washers (item 36). Remove the air valve assembly from the pump.

Remove and inspect gasket (item 18) for cracks or damage. Replace gasket if needed.

Step #2: Disassembly of the air valve.

To access the internal air valve components first remove the two retaining rings (item 1-H) from each end of the air valve assembly using clip ring pliers.

Next remove the two end caps (item 1-E). Inspect the o-ring (items 1-G) and 1-M) for cuts or wear. Replace the o-rings if necessary.

Remove the two bumpers (item 1-C). Inspect the bumpers for cut, wear or abrasion. Replace if necessary.

Remove the spool (part of item 1-A) from the sleeve. Be careful not to scratch or damage the outer diameter of the spool. Wipe spool with a soft cloth and inspect for scratches or wear.

Inspect the inner diameter of the sleeve (part of item 1-A) for dirt, scratches, or other contaminants. Remove the sleeve if needed and replace with a new sleeve and spool set (item 1-A).

Step #3: Reassembly of the air valve.

Install one bumper (item 1-C) and one end cap (item 1-E) with o-rings (item 1-G and 1-M) into one end of the air valve body (item 1-B). Install one retaining ring (item 1-H), into the groove on the same end. Insert the safety clip (item 1-K) through the smaller unthreaded hole in the endcap.

Remove the new sleeve and spool set (item 1-A) from the plastic bag. Carefully remove the spool from the sleeve. Install the six o-rings (item 1-G) into the six grooves on the sleeve. Apply a light coating of grease to the o-rings before installing the sleeve into the valve body (item 1-B). Align the slots in the sleeve with the slots in the valve body. Insert the spool into the sleeve. Be careful not to scratch or damage the spool during installation. Push the spool in until the pin touches the safety clip on the opposite end.

Install the remaining bumper, end cap with o-rings and retaining ring.

Fasten the air valve assembly (item 1) and gasket (item 18) to the pump.

Connect the compressed air line to the pump. Remove the safety clip. The pump is now ready for operation.



! IMPORTANT

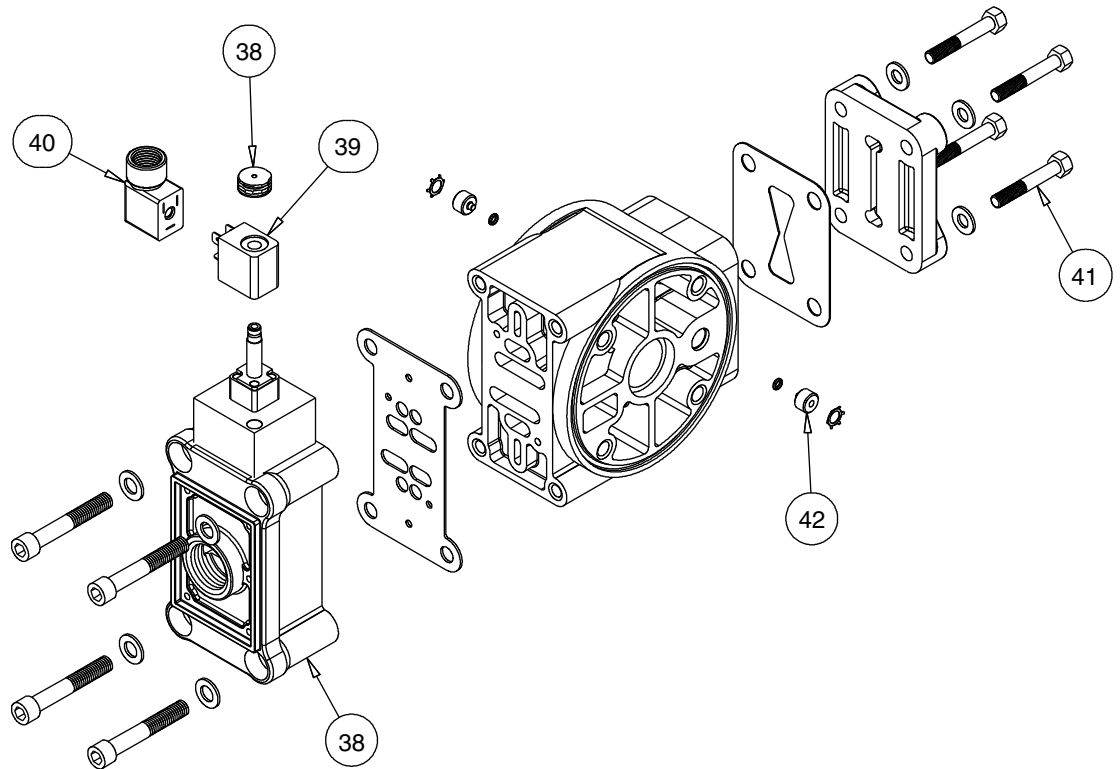
Read these instructions completely, before installation and start-up. It is the responsibility of the purchaser to retain this manual for reference. Failure to comply with the recommendations stated in this manual will damage the pump, and void factory warranty.

Solenoid Shifted Air Valve Drawing

SOLENOID SHIFTED AIR VALVE PARTS LIST

(Includes all items used on Composite Repair Parts List except as shown)

Item	Part Number	Description	Qty
38	893-097-000	Solenoid Valve, NEMA4	1
39	219-001-000	Solenoid Coil, 24VDC	1
	219-004-000	Solenoid Coil, 24VAC/12VDC	1
	219-002-000	Solenoid Coil, 120VAC	1
	219-003-000	Solenoid Coil, 240VAC	1
	241-001-000	Connector, conduit	1
40	241-003-000	Conduit Connector with Suppression Diode (DC Only)	1
41	170-029-330	Capscrew, Hex HD 5/16-18 x 1.50	4
42	618-051-150	Plug	2



IEC EEX m T4



▲ For Explosion Proof Solenoid Coils used in North America and outside the European Union.

39	219-009-001	Solenoid Coil, 120VAC 60 Hz	1
	219-009-002	Solenoid Coil, 240VAC 60 Hz	1
	219-009-003	Solenoid Coil, 12VDC	1
	219-009-004	Solenoid Coil, 24VDC	1
	219-009-005	Solenoid Coil, 110VAC 50 Hz	1
	219-009-006	Solenoid Coil, 230VAC 50 Hz	1
	Note: Item 40 (Conduit Connector) is not required		



II 2G EEx m c T5
II 2D c IP65 T100°C

*◆ For Explosion Proof Solenoid Coils used in the European Union

39	219-011-001	Solenoid Coil, 12 VDC, 3.3W / 0, 531A...0, 014A	1
	219-011-002	Solenoid Coil, 24 VDC, 3.3W / 0, 531A...0, 014A	1
	219-011-003	Solenoid Coil, 110/120 VAC, 3.4W / 0, 212A...0, 015A	1
	219-011-004	Solenoid Coil, 220/240 VAC, 3.4W / 0, 212A...0, 015A	1
Note: Item 40 (Conduit Connector) is not required			

*Special Conditions For Safe Use

A fuse corresponding to its rated current (max. $3 \cdot I_{rat}$ according IEC 60127-2-1) or a motor protecting switch with short-circuit and thermal instantaneous tripping (set to rated current) shall be connected in series to each solenoid as short circuit protection. For very low rated currents of the solenoid the fuse of lowest current value according to the indicated IEC standard will be sufficient. The fuse may be accommodated in the associated supply unit or shall be separately arranged. The rated voltage to the fuse shall be equal to or greater than the stated rated voltage of the magnet coil. The breakage capacity of the fuse-link shall be as high as or higher than the maximum expected short circuit current at the location of the installation (usually 1500 A). A maximum permissible ripple of 20% is valid for all magnets of direct-current design.

SOLENOID SHIFTED AIR DISTRIBUTION VALVE OPTION

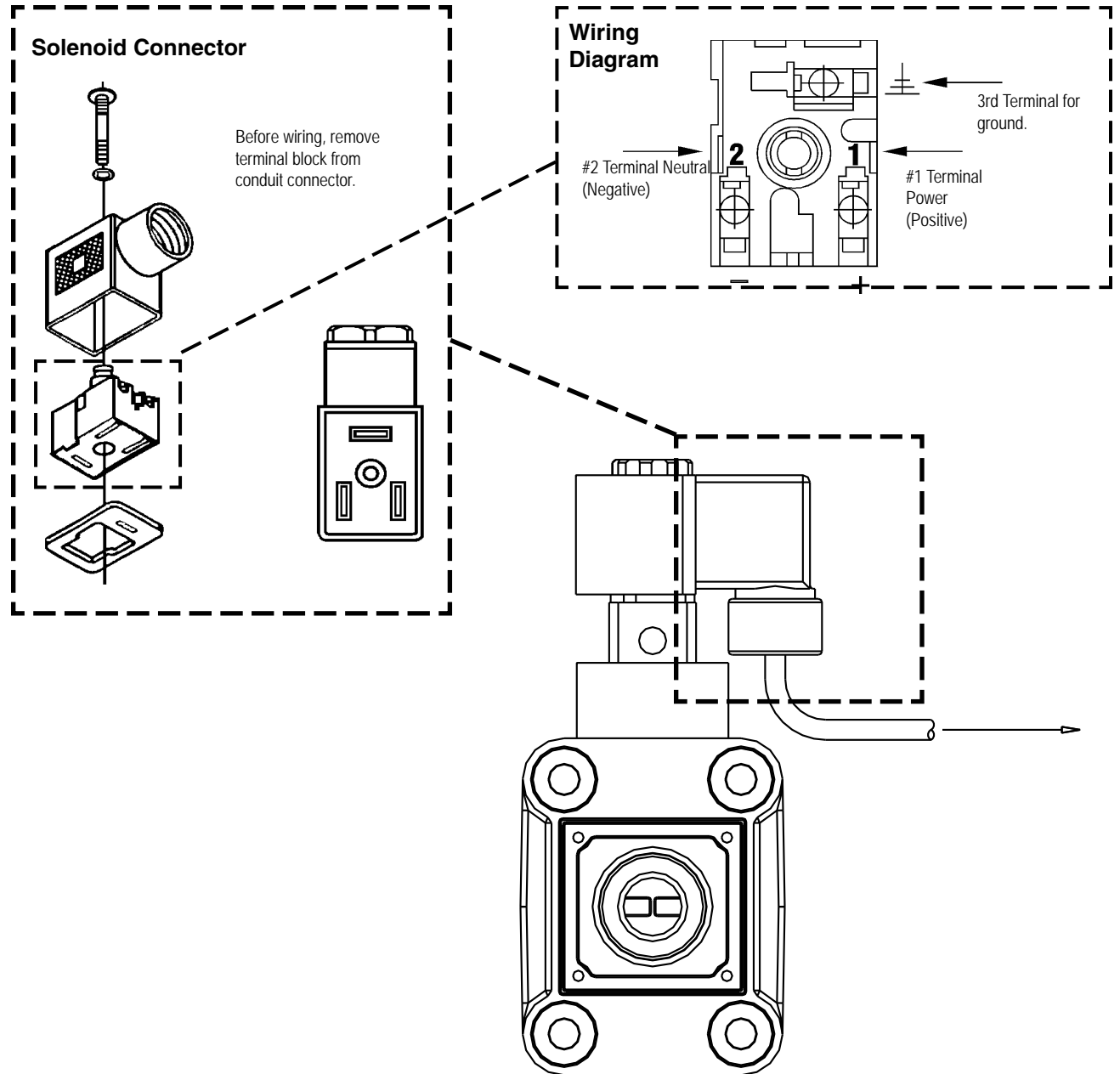
Warren Rupp's solenoid shifted, air distribution valve option utilizes electrical signals to precisely control your SANDPIPER's speed. The solenoid coil is connected to the Warren Rupp Solenoid Rate Controller/Batch Control, or a customer - supplied control. Compressed air provides the pumping power, while electrical signals control pump speed (pumping rate).

OPERATION

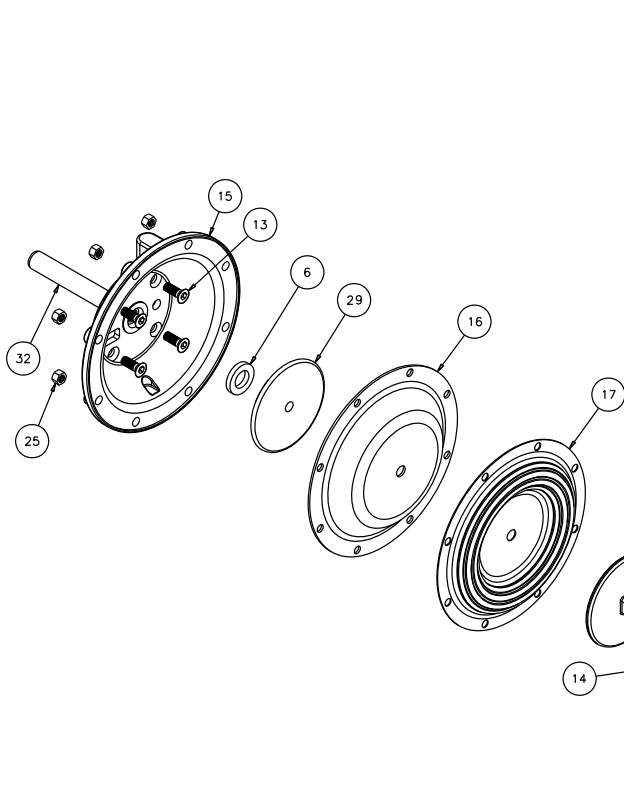
The Solenoid Shifted SANDPIPER has a solenoid operated, air distribution valve in place of the standard SANDPIPER's pilot operated, air distribution valve. Where a pilot valve is normally utilized to cycle the pump's air distribution valve, an electric solenoid is utilized. As the solenoid is powered, one of the pump's air chambers is pressurized while the other chamber is exhausted. When electric power is turned off, the solenoid shifts and the pressurized chamber is exhausted while the other chamber is pressurized. By alternately applying and removing power to the solenoid, the pump cycles much like a standard SANDPIPER pump, with one exception. This option provides a way to precisely control and monitor pump speed.

BEFORE INSTALLATION

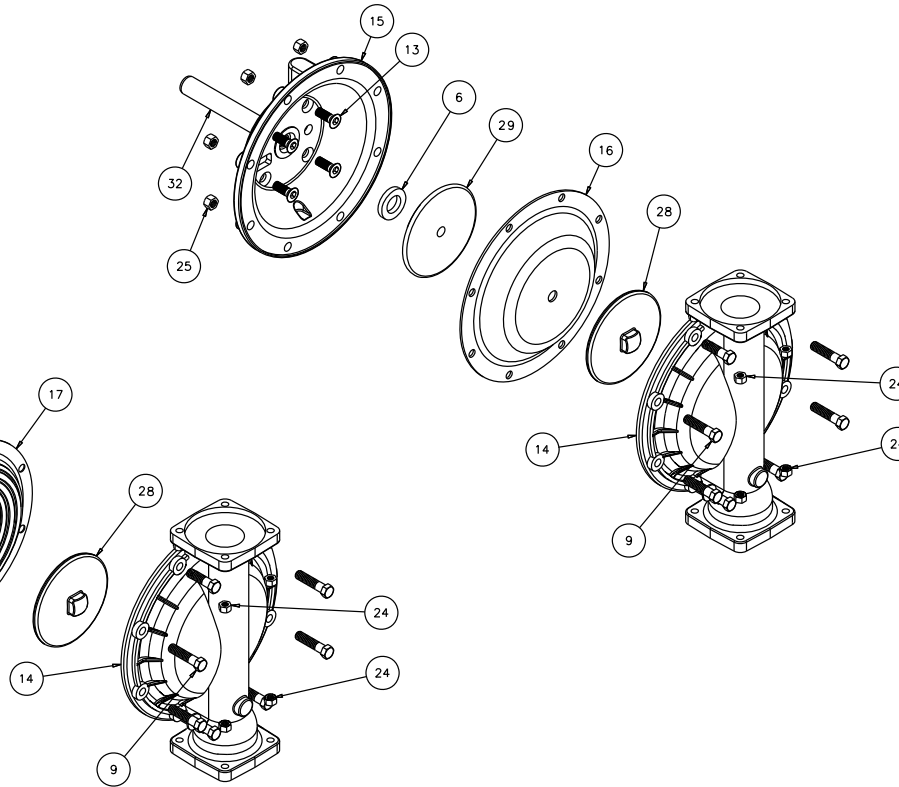
Before wiring the solenoid, make certain it is compatible with your system voltage.



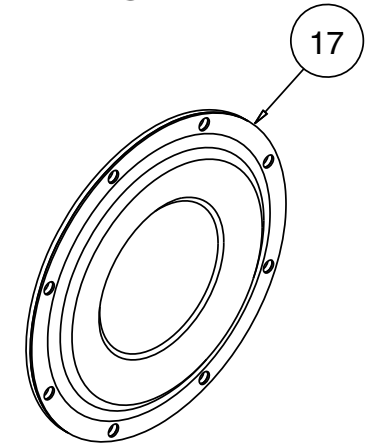
Diaphragm Service Drawing, with Overlay



Diaphragm Service Drawing, Non-Overlay



One-Piece Bonded * Diaphragm Service Drawing



***AVAILABLE FOR FIELD CONVERSION FROM OVERLAY
TO ONE-PIECE BONDED DIAPHRAGM KITS:**

Kit: 475-254-000
 2 286-113-000 One-Piece Diaphragm
 2 612-217-150 Inner Plates

DIAPHRAGM SERVICING

To service the diaphragms first shut off the suction, then shut off the discharge lines to the pump. Shut off the compressed air supply, bleed the pressure from the pump and disconnect the air supply line from the pump. Drain any remaining liquid from the pump.

Step #1: See the pump assembly drawing and the diaphragm servicing illustration.

Using a 1/2" wrench or socket, remove the 16 capscrews (item 9) that fasten the manifolds (items 22 & 23) to the outer chambers (item 14).

Step #2: Removing outer chambers.

Using a 1/2" wrench or socket, remove the 16 capscrews (item 9), that fasten the outer chambers (item 13), diaphragms (item 14) and intermediate (item 5) together.

Step #3: Removing the diaphragms and diaphragm plates.

Use a 7/8" wrench or six point socket to remove the outer diaphragm plate assemblies, diaphragms (item 16) and inner diaphragm plates (item 29) from the diaphragm rod (item 32) by turning counterclockwise. Inspect the diaphragm for cuts, punctures, abrasive wear or chemical attack. Replace the diaphragms if necessary. **DO NOT USE A WRENCH ON THE DIAPHRAGM ROD. FLAWS ON THE SURFACE MAY DAMAGE BEARINGS AND SEALS.**

Step #4: Assembling the diaphragm and diaphragm plates to the diaphragm rod.

Push the threaded stud of one outer diaphragm plate assembly through the center of one diaphragm and through one inner diaphragm plate. Install the diaphragm with the natural bulge facing away from the diaphragm rod and make sure the radius on the inner diaphragm plate is towards the diaphragm, as indicated on the diaphragm servicing illustration. Thread the assembly onto the diaphragm rod, leaving loose.

Step #5: Installing the diaphragm and rod assembly to the pump.

Make sure the bumper (item 6) is installed over the diaphragm rod. Insert rod into pump.

On the opposite side of the pump, pull the diaphragm rod out as far as possible. Make sure the second bumper is installed over the diaphragm rod.

Push the threaded stud of the other outer diaphragm plate assembly through the center of the other diaphragm and through the other inner diaphragm plate. Make sure the radius on the inner diaphragm plate is towards the diaphragm. Thread the assembly onto the diaphragm rod. Use a 7/8" wrench or socket to hold one outer diaphragm plate. Then, use a torque wrench to tighten the other outer diaphragm plate to the diaphragm rod to 500 in. lbs. (56.5 Newton meters).

Align one diaphragm with the intermediate and install the outer chamber to the pump using the 8 capscrews. Tighten the opposite diaphragm plate until the holes in the diaphragm align with the holes in the intermediate. Then, install the other outer chamber using the 8 capscrews.

Step #6: Reinstall the manifolds to the pump using the 16 capscrews.

The pump is now ready to be reinstalled, connected and returned to operation.

OVERLAY DIAPHRAGM SERVICING

The overlay diaphragm (item 17) is designed to fit over the exterior of the standard diaphragm (item 16).

Follow the same procedures described for the standard diaphragm for removal and installation, except tighten the outer diaphragm plate assembly, diaphragms and inner diaphragm plate to the diaphragm rod to 500 in. lbs. (56.5 Newton meters).

One-Piece Bonded DIAPHRAGM SERVICING (Bonded PTFE with integral plate)

The one-piece bonded diaphragm (item 17) has a threaded stud installed in the integral plate at the factory. The inner diaphragm plate has a through hole instead of a threaded hole.



! IMPORTANT

Read these instructions completely, before installation and start-up. It is the responsibility of the purchaser to retain this manual for reference. Failure to comply with the recommendations stated in this manual will damage the pump, and void factory warranty.

Place the inner plate over the diaphragm stud and thread the first diaphragm / inner plate onto the diaphragm rod only until the inner plate contacts the rod. Do not tighten. A small amount of grease may be applied between the inner plate and the diaphragm to facilitate assembly.

Insert the diaphragm / rod assembly into the pump and install the outer chamber. Turn the pump over and thread the second diaphragm / inner plate onto the diaphragm rod. Turn the diaphragm until the inner plate contacts the rod and hand tighten the assembly. Continue tightening until the bolt holes align with the inner chamber holes. **DO NOT LEAVE THE ASSEMBLY LOOSE.**

Pilot Valve Servicing, Assembly Drawing & Parts List

PILOT VALVE ASSEMBLY PARTS LIST

ITEM	PART NUMBER	DESCRIPTION	QTY
4	095-110-000	Pilot Valve Assembly	1
4-A	095-095-157	Valve Body	1
4-B	755-052-000	Sleeve (With O-rings)	1
4-C	560-033-379	O-ring (Sleeve)	6
4-D	775-055-000	Spool (With O-rings)	1
4-E	560-023-379	O-ring (Spool)	3
4-F	675-037-080	Retaining Ring	1

FOR PUMPS WITH CAST IRON CENTER SECTION

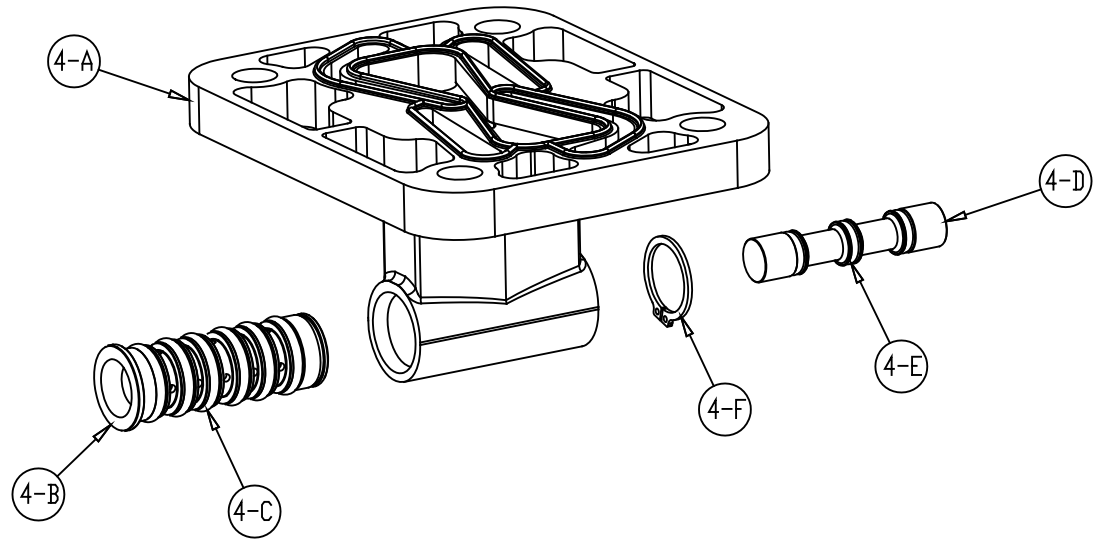
ITEM	PART NUMBER	DESCRIPTION	QTY
4	095-110-558	Pilot Valve Assembly	1
4-A	095-095-558	Valve Body	1

(includes all other items used on 095-110-000)

FOR PUMPS WITH STAINLESS STEEL CENTER SECTION

ITEM	PART NUMBER	DESCRIPTION	QTY
4	095-110-110	Pilot Valve Assembly	1
4-A	095-095-110	Valve Body	1

(includes all other items used on 095-110-000)



PILOT VALVE SERVICING

To service the pilot valve first shut off the compressed air supply, bleed the pressure from the pump, and disconnect the air supply line from the pump.

STEP #1: See pump assembly drawing.

Using a 1/2" wrench or socket, remove the four capscrews (item 11). Remove the air inlet cap (item 8) and air inlet gasket (item 20). The pilot valve assembly (item 4) can now be removed for inspection and service.

STEP #2: Disassembly of the pilot valve.

Remove the pilot valve spool (item 4-D). Wipe clean and inspect spool and o-rings for dirt, cuts or wear. Replace the o-rings and spool if necessary.

Remove the retaining ring (item 4-F) from the end of the sleeve (item 4-B) and remove the sleeve from the valve body (item 4-A). Wipe clean and inspect sleeve and o-rings for dirt, cuts or wear. Replace the o-rings and sleeve if necessary.

STEP #3: Re-assembly of the pilot valve.

Generously lubricate outside diameter of the sleeve and o-rings. Then carefully insert sleeve into valve body. Take CAUTION when inserting sleeve, not to shear any o-rings. Install retaining ring to sleeve. Generously lubricate outside diameter of spool and o-rings. Then carefully insert spool into sleeve. Take CAUTION when inserting spool, not to shear any o-rings. Use BP-LS-EP-2 multipurpose grease, or equivalent.

STEP #4: Re-install the pilot valve assembly into the intermediate.

Be careful to align the ends of the pilot valve stem between the plunger pins when inserting the pilot valve into the cavity of the intermediate.

Re-install the gasket, air inlet cap and capscrews. Connect the air supply to the pump. The pump is now ready for operation.

ACTUATOR PLUNGER SERVICING

To service the actuator plunger first shut off the compressed air supply, bleed the pressure from the pump, and disconnect the air supply line from the pump.

Step #1: See PUMP ASSEMBLY DRAWING.

Using a 1/2" wrench or socket, remove the four capscrews (items 11). Remove the air inlet cap (item 8) and air inlet gasket (item 18). The pilot valve assembly (item 4) can now be removed.

Step #2: Inspect the actuator plungers.

See ILLUSTRATION AT RIGHT.

The actuator plungers (items 30) can be reached through the pilot valve cavity in the intermediate assembly (item 5).

Remove the plungers (item 30) from the bushings (item 7) in each end of the cavity. Inspect the installed o-ring (items 26) for cuts and/or wear. Replace the o-rings if necessary. Apply a light coating of grease to each o-ring and re-install the plungers in to the bushings. Push the plungers in as far as they will go.

To remove the bushings (item 7), first remove the retaining rings (item 31) by using a flat screwdriver. **NOTE:** It is recommended that new retaining rings be installed.

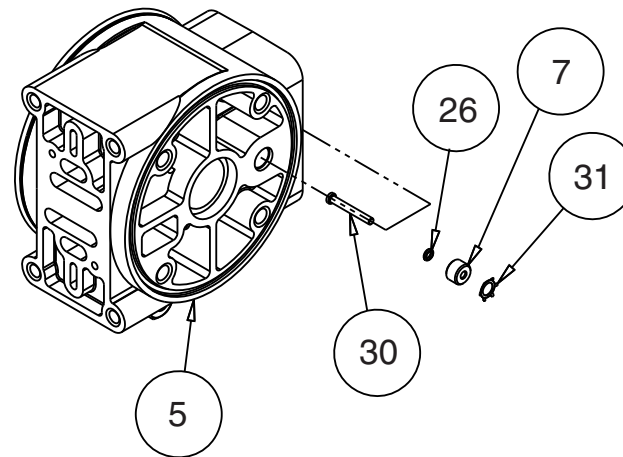
Step #3: Re-install the pilot valve assembly into the intermediate assembly.

Be careful to align the ends of the stem between the plungers when inserting the stem of the pilot valve into the cavity of the intermediate.

Re-install the gasket (item 18), air inlet cap (item 8) and capscrews (item 11).

Connect the air supply to the pump. The pump is now ready for operation.

ACTUATOR PLUNGER DRAWING



! IMPORTANT

Read these instructions completely, before installation and start-up. It is the responsibility of the purchaser to retain this manual for reference. Failure to comply with the recommendations stated in this manual will damage the pump, and void factory warranty.

CHECK VALVE SERVICING

Before servicing the check valve components, first shut off the suction line and then the discharge line to the pump. Next, shut off the compressed air supply, bleed air pressure from the pump, and disconnect the air supply line from the pump. Drain any remaining fluid from the pump. The pump can now be removed for service.

To access the check valve components, remove the manifold (item 23 or item 22 not shown). Use a 1/2" wrench or socket to remove the fasteners. Once the manifold is removed, the check valve components can be seen.

Inspect the check balls (items 2) for wear, abrasion, or cuts on the spherical surface. The check valve seats (item 34) should be inspected for cuts, abrasive wear, or embedded material on the surfaces of both the external and internal chambers. The spherical surface of the check balls must seat flush to the surface of the check valve seats for the pump to operate to peak efficiency. Replace any worn or damaged parts as necessary.

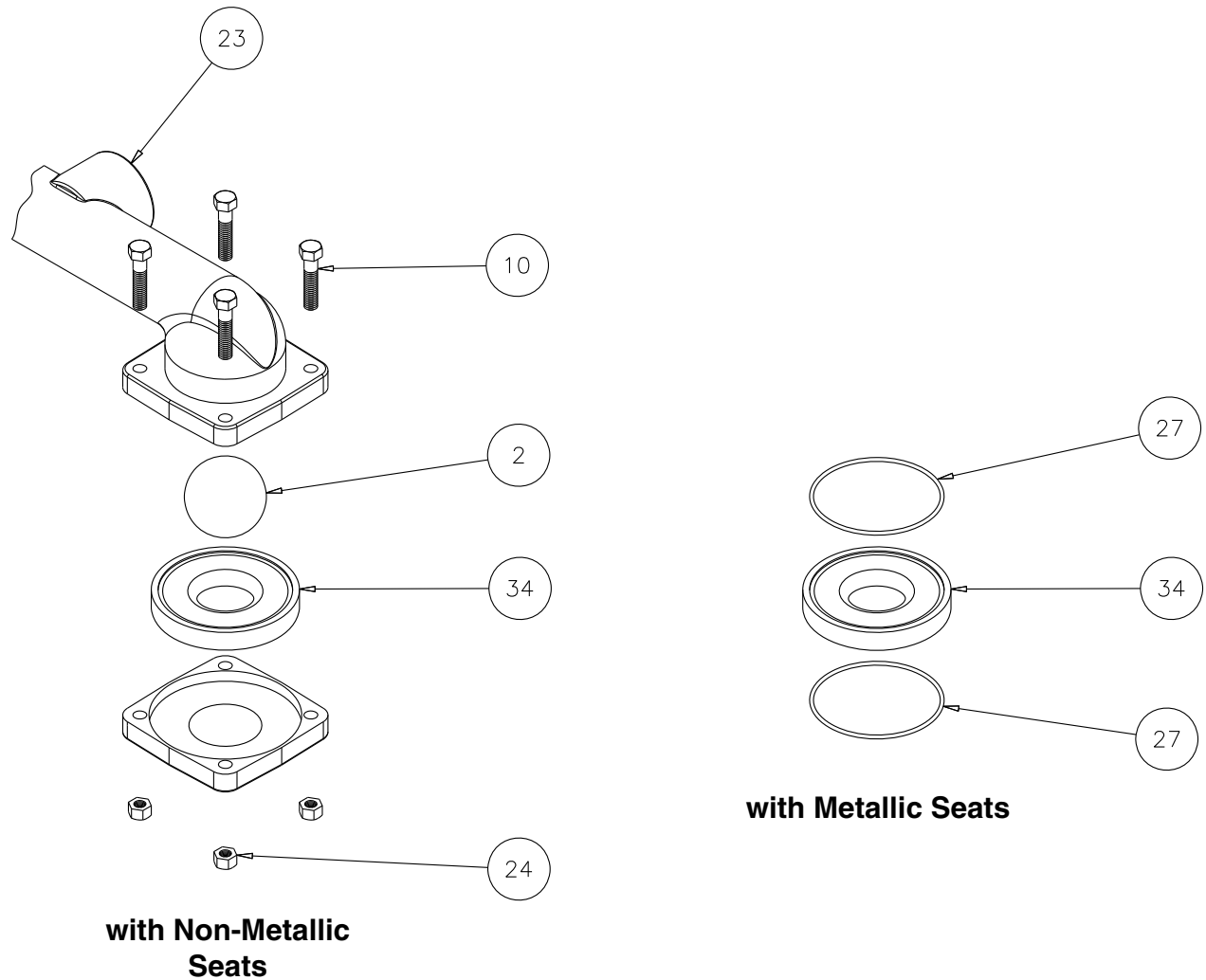
Re-assemble the check valve components. The seat should fit into the counter bore of the outer chamber.

The pump can now be reassembled, reconnected and returned to operation.

METALLIC SEATS

Two o-rings (or conductive PTFE seals) (item 27) are required for metallic seats.

Check Valve Drawing



Optional Muffler Configurations, Drawing

OPTION 0 ★

530-028-550 Integral Muffler uses (1) Cap and (4) 710-015-115 Self Tapping Screw to hold it in place.

OPTION 1

530-027-000 Sound Dampening Muffler screws directly into the Air Valve body. This muffler is equipped with a porous plastic element.

OPTION 2

530-010-000 Mesh Muffler screws directly into the Air Valve Body. This muffler is equipped with a metal element.



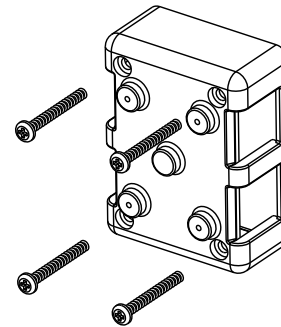
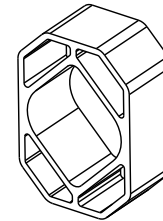
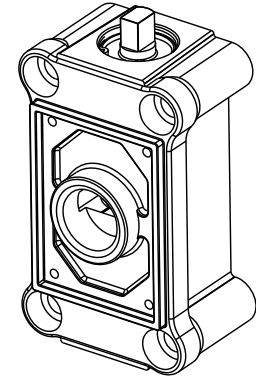
OPTION 6

530-033-000 Metal Muffler screws directly into the Air Body.

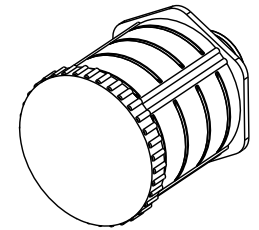


⚠ ATEX Compliant

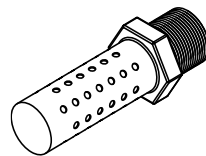
★ Note: Cannot be used with Air Valve Assembly 031-179-000 used on models equipped with cast iron or stainless steel centers.



Option 0



Option 1 and 2



Option 6

PUMPING HAZARDOUS LIQUIDS

When a diaphragm fails, the pumped liquid or fumes enter the air end of the pump. Fumes are exhausted into the surrounding environment. When pumping hazardous or toxic materials, the exhaust air must be piped to an appropriate area for safe disposal. See illustration #1 at right.

This pump can be submerged if the pump materials of construction are compatible with the liquid being pumped. The air exhaust must be piped above the liquid level. See illustration #2 at right. Piping used for the air exhaust must not be smaller than 1" (2.54 cm) diameter. Reducing the pipe size will restrict air flow and reduce pump performance. When the pumped product source is at a higher level than the pump (flooded suction condition), pipe the exhaust higher than the product source to prevent siphoning spills. See illustration #3 at right.

CONVERTING THE PUMP FOR PIPING THE EXHAUST AIR

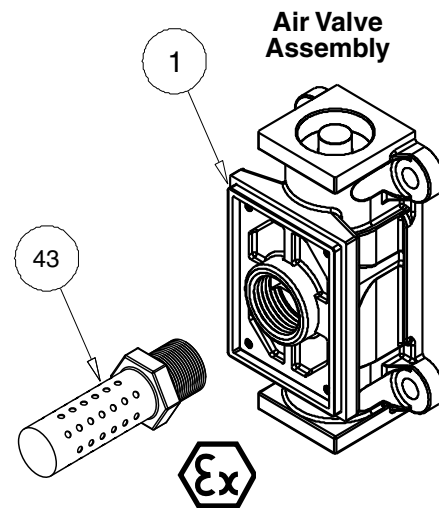
The following steps are necessary to convert the pump to pipe the exhaust air away from the pump.

Remove the muffler (item 43). The air distribution valve (item 1) has 1" NPT threads for piped exhaust.

IMPORTANT INSTALLATION

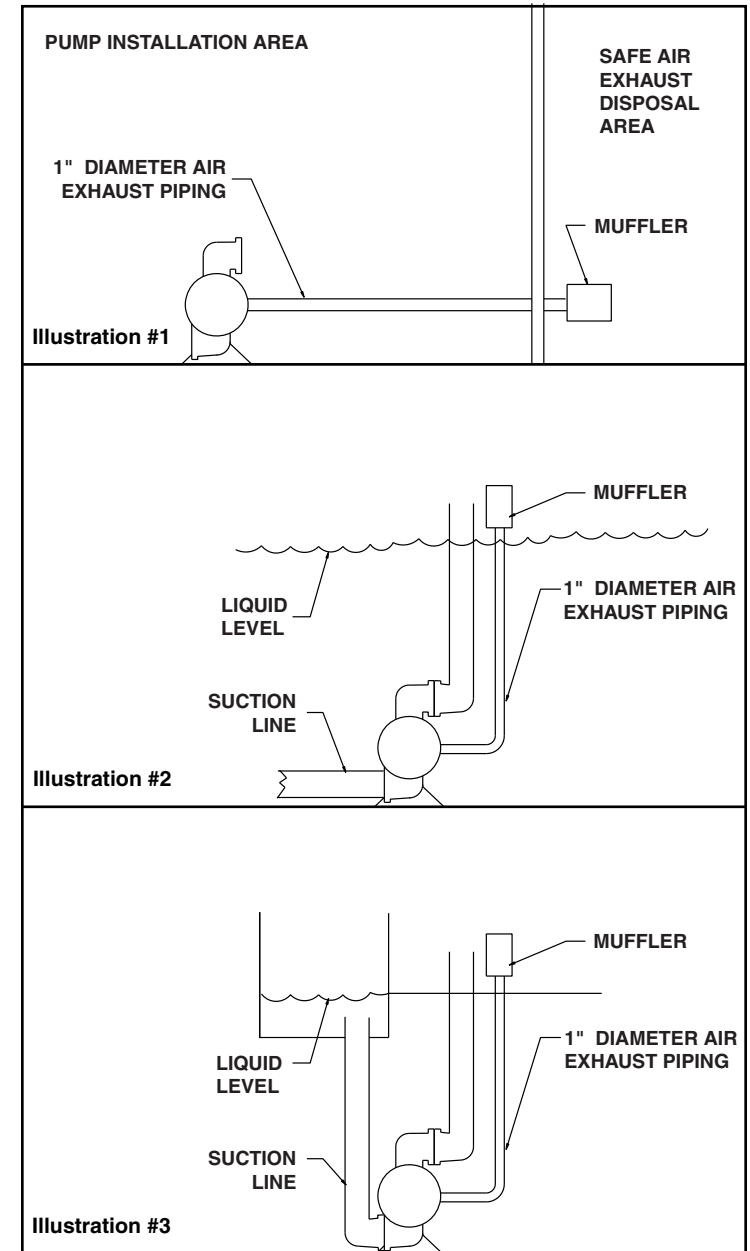
NOTE: The manufacturer recommends installing a flexible conductive hose or connection between the pump and any rigid plumbing. This reduces stresses on the molded threads of the air exhaust port. Failure to do so may result in damage to the air distribution valve body.

Any piping or hose connected to the pump's air exhaust port must be conductive and physically supported. Failure to support these connections could also result in damage to the air distribution valve body.



On ATEX compliant units the pump comes equipped with a standard metal muffler

CONVERTED EXHAUST ILLUSTRATION



Pulse Output Kit Drawing

PULSE OUTPUT KIT OPTION

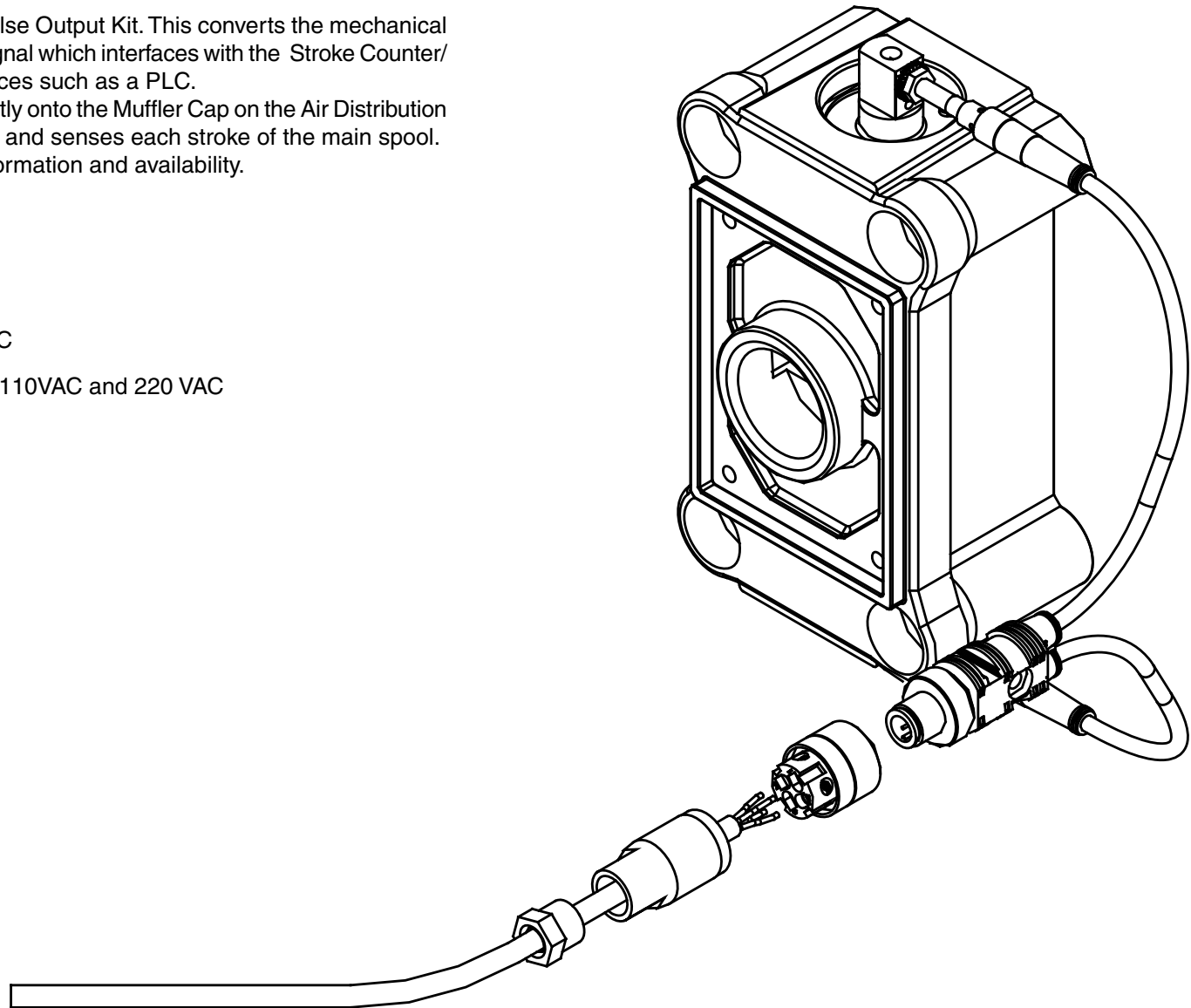
This pump can be fitted with a Pulse Output Kit. This converts the mechanical strokes of the pump to an electrical signal which interfaces with the Stroke Counter/ Batch Controller or user control devices such as a PLC.

The Pulse Output Kits mount directly onto the Muffler Cap on the Air Distribution Valve Assembly or onto the air valve and senses each stroke of the main spool.

Consult the factory for further information and availability.

Pulse Output Kits

475-244-001	10-30 VDC
475-244-002	110/220 VAC
475-244-003	10-30VDC, 110VAC and 220 VAC



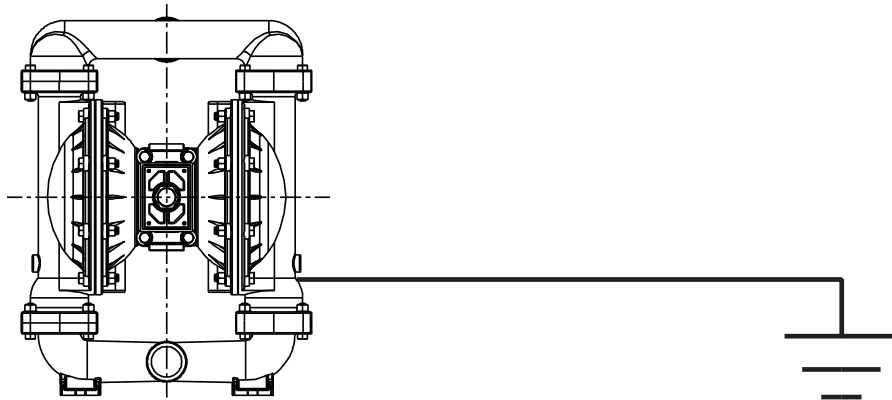
Grounding The Pump

To be fully groundable, the pumps must be ATEX Compliant. Refer to pump data sheet for ordering.

One eyelet is fastened to the pump hardware.




One eyelet is installed to a true earth ground.
(Requires a maximum 5/16 or 8mm diameter bolt)



This 8 foot long (244 centimeters) Ground Strap, part number 920-025-000, can be ordered as a service part.

To reduce the risk of static electrical sparking, this pump must be grounded. Check the local electrical code for detailed grounding instruction and the type of equipment required.

	! WARNING
	<i>Take action to prevent static sparking. Fire or explosion can result, especially when handling flammable liquids. The pump, piping, valves, containers or other miscellaneous equipment must be grounded.</i>

Declaration of Conformity



**WARREN
RUPP®**

IBEX
FLUID & METERING

Declaration of Conformity

Warren Rupp, Inc., 800 North Main Street, Mansfield, Ohio, certifies that Air-Operated Double Diaphragm Pumps Series: HDB, HDF, M Non-Metallic, S Non-Metallic, M Metallic, S Metallic, Containment Duty, Gas, UL, High Pressure, W, Submersible and Tranquilizers comply with the European Community Directive 98/37/EC, Safety of Machinery. This product has used EN 809, Pumps and Pump Units for Liquids - Common Safety Requirements harmonized standard to verify conformance.

David Roseberry

Signature of authorized person

October 20, 2005

Date of issue

David Roseberry

Printed name of authorized person

Engineering Manager

Title

CE



Declaration of Conformity