



# SINGLE BAG

## ORDER INFORMATION SHEET

**BFN-11**

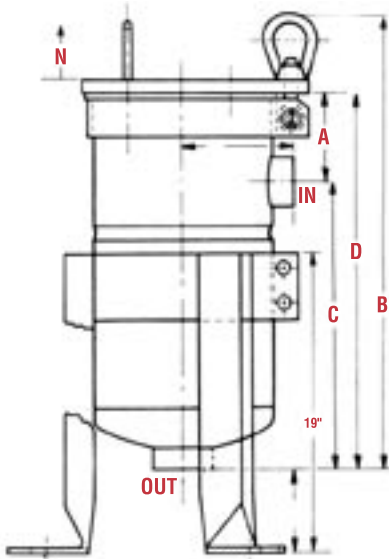
**BFN-12**

**FILTER SPECIALISTS, INC.**

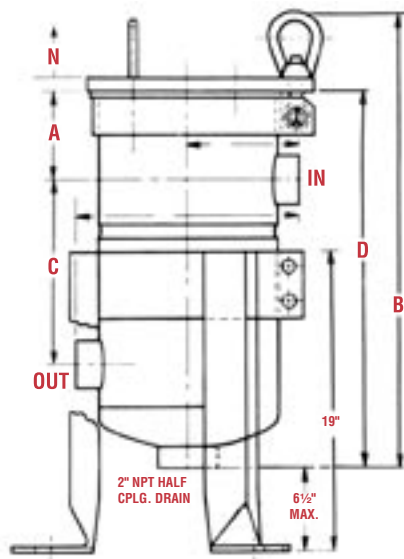
100 Anchor Road P.O. Box 735 (46361) Michigan City, Indiana 46360  
219-879-3307 800-348-3205 Fax: 219-877-0632

www.fsifilters.com sales@fsifilters.com

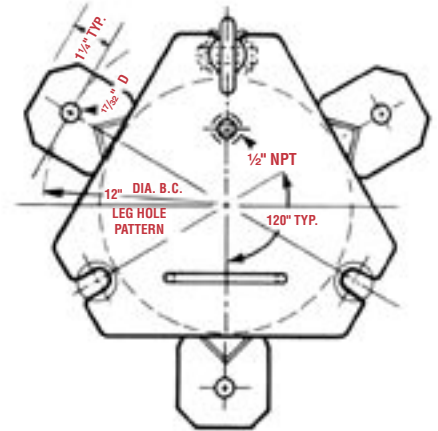
**NPT**



**STYLE 2** NPT FITTINGS  
SIDE INLET — BOTTOM OUTLET



**STYLE 6** NPT FITTINGS  
SIDE INLET — SIDE OUTLET



**TOP**

**BFN-11 (S or P)\* Style 2**

NPT	A	B	C	D	E	N
1"	4 <sup>5</sup> / <sub>8</sub> "	28 <sup>1</sup> / <sub>16</sub> "	20 <sup>5</sup> / <sub>16</sub> "	24 <sup>1</sup> / <sub>16</sub> "	4 <sup>3</sup> / <sub>4</sub> "	16"
1 <sup>1</sup> / <sub>2</sub> "	4 <sup>5</sup> / <sub>8</sub> "	28 <sup>1</sup> / <sub>16</sub> "	20 <sup>7</sup> / <sub>16</sub> "	25 <sup>1</sup> / <sub>16</sub> "	4 <sup>1</sup> / <sub>16</sub> "	16"
2"	4 <sup>5</sup> / <sub>8</sub> "	28 <sup>1</sup> / <sub>16</sub> "	20 <sup>7</sup> / <sub>16</sub> "	25 <sup>1</sup> / <sub>16</sub> "	4 <sup>1</sup> / <sub>16</sub> "	16"
2 <sup>1</sup> / <sub>2</sub> "	4 <sup>7</sup> / <sub>8</sub> "	28 <sup>1</sup> / <sub>16</sub> "	20 <sup>3</sup> / <sub>16</sub> "	25 <sup>1</sup> / <sub>16</sub> "	4 <sup>1</sup> / <sub>16</sub> "	16"
3"	5 <sup>1</sup> / <sub>4</sub> "	31 <sup>1</sup> / <sub>16</sub> "	22 <sup>1</sup> / <sub>16</sub> "	27 <sup>1</sup> / <sub>16</sub> "	27 <sup>1</sup> / <sub>16</sub> "	16"
4"	5 <sup>3</sup> / <sub>4</sub> "	31 <sup>1</sup> / <sub>16</sub> "	22 <sup>7</sup> / <sub>16</sub> "	28 <sup>3</sup> / <sub>16</sub> "	28 <sup>3</sup> / <sub>16</sub> "	16"

**BFN-11 (S or P)\* Style 6\*\***

NPT	A	B	C	D	E	F	N
1"	4 <sup>5</sup> / <sub>8</sub> "	28 <sup>1</sup> / <sub>16</sub> "	14 <sup>1</sup> / <sub>4</sub> "	25 <sup>1</sup> / <sub>16</sub> "	4 <sup>7</sup> / <sub>8</sub> "	9 <sup>3</sup> / <sub>4</sub> "	16"
1 <sup>1</sup> / <sub>2</sub> "	4 <sup>5</sup> / <sub>8</sub> "	28 <sup>1</sup> / <sub>16</sub> "	14 <sup>1</sup> / <sub>4</sub> "	25 <sup>1</sup> / <sub>16</sub> "	4 <sup>1</sup> / <sub>16</sub> "	9 <sup>1</sup> / <sub>16</sub> "	16"
2"	4 <sup>5</sup> / <sub>8</sub> "	28 <sup>1</sup> / <sub>16</sub> "	14 <sup>1</sup> / <sub>4</sub> "	25 <sup>1</sup> / <sub>16</sub> "	4 <sup>1</sup> / <sub>16</sub> "	9 <sup>1</sup> / <sub>16</sub> "	16"
2 <sup>1</sup> / <sub>2</sub> "	4 <sup>7</sup> / <sub>8</sub> "	28 <sup>1</sup> / <sub>16</sub> "	14 <sup>1</sup> / <sub>4</sub> "	25 <sup>1</sup> / <sub>16</sub> "	4 <sup>1</sup> / <sub>16</sub> "	9 <sup>1</sup> / <sub>16</sub> "	16"
3"	5 <sup>1</sup> / <sub>4</sub> "	30 <sup>9</sup> / <sub>16</sub> "	14 <sup>1</sup> / <sub>4</sub> "	26 <sup>1</sup> / <sub>16</sub> "	6 <sup>1</sup> / <sub>16</sub> "	12 <sup>1</sup> / <sub>8</sub> "	16"
4"	5 <sup>3</sup> / <sub>4</sub> "	30 <sup>9</sup> / <sub>16</sub> "	14 <sup>1</sup> / <sub>4</sub> "	26 <sup>1</sup> / <sub>16</sub> "	6 <sup>5</sup> / <sub>16</sub> "	12 <sup>5</sup> / <sub>8</sub> "	16"

**BFN-12 (S or P)\* Style 2**

NPT	A	B	C	D	E	N
1"	4 <sup>5</sup> / <sub>8</sub> "	43 <sup>9</sup> / <sub>16</sub> "	34 <sup>1</sup> / <sub>16</sub> "	39 <sup>7</sup> / <sub>16</sub> "	4 <sup>3</sup> / <sub>4</sub> "	30"
1 <sup>1</sup> / <sub>2</sub> "	4 <sup>5</sup> / <sub>8</sub> "	43 <sup>9</sup> / <sub>16</sub> "	34 <sup>1</sup> / <sub>16</sub> "	39 <sup>9</sup> / <sub>16</sub> "	4 <sup>1</sup> / <sub>16</sub> "	30"
2"	4 <sup>5</sup> / <sub>8</sub> "	43 <sup>9</sup> / <sub>16</sub> "	34 <sup>1</sup> / <sub>16</sub> "	39 <sup>9</sup> / <sub>16</sub> "	4 <sup>1</sup> / <sub>16</sub> "	30"
2 <sup>1</sup> / <sub>2</sub> "	4 <sup>7</sup> / <sub>8</sub> "	43 <sup>9</sup> / <sub>16</sub> "	34 <sup>1</sup> / <sub>16</sub> "	39 <sup>9</sup> / <sub>16</sub> "	4 <sup>1</sup> / <sub>16</sub> "	30"
3"	5 <sup>1</sup> / <sub>4</sub> "	46 <sup>3</sup> / <sub>16</sub> "	37 <sup>3</sup> / <sub>16</sub> "	42 <sup>7</sup> / <sub>16</sub> "	6 <sup>1</sup> / <sub>16</sub> "	30"
4"	5 <sup>1</sup> / <sub>4</sub> "	46 <sup>7</sup> / <sub>16</sub> "	36 <sup>1</sup> / <sub>16</sub> "	42 <sup>1</sup> / <sub>16</sub> "	6 <sup>5</sup> / <sub>16</sub> "	30"

**BFN-12 (S or P)\* Style 6\*\***

NPT	A	B	C	D	E	F	N
1"	4 <sup>5</sup> / <sub>8</sub> "	43 <sup>9</sup> / <sub>16</sub> "	28 <sup>3</sup> / <sub>4</sub> "	39 <sup>9</sup> / <sub>16</sub> "	4 <sup>7</sup> / <sub>8</sub> "	9 <sup>3</sup> / <sub>4</sub> "	30"
1 <sup>1</sup> / <sub>2</sub> "	4 <sup>5</sup> / <sub>8</sub> "	43 <sup>9</sup> / <sub>16</sub> "	28 <sup>3</sup> / <sub>4</sub> "	39 <sup>9</sup> / <sub>16</sub> "	4 <sup>1</sup> / <sub>16</sub> "	9 <sup>1</sup> / <sub>16</sub> "	30"
2"	4 <sup>5</sup> / <sub>8</sub> "	43 <sup>9</sup> / <sub>16</sub> "	28 <sup>3</sup> / <sub>4</sub> "	39 <sup>9</sup> / <sub>16</sub> "	4 <sup>1</sup> / <sub>16</sub> "	9 <sup>1</sup> / <sub>16</sub> "	30"
2 <sup>1</sup> / <sub>2</sub> "	4 <sup>7</sup> / <sub>8</sub> "	43 <sup>9</sup> / <sub>16</sub> "	28 <sup>3</sup> / <sub>4</sub> "	39 <sup>9</sup> / <sub>16</sub> "	4 <sup>1</sup> / <sub>16</sub> "	9 <sup>1</sup> / <sub>16</sub> "	30"
3"	5 <sup>1</sup> / <sub>4</sub> "	45 <sup>1</sup> / <sub>16</sub> "	28 <sup>3</sup> / <sub>4</sub> "	41 <sup>5</sup> / <sub>16</sub> "	6 <sup>1</sup> / <sub>16</sub> "	12 <sup>1</sup> / <sub>8</sub> "	30"
4"	5 <sup>3</sup> / <sub>4</sub> "	45 <sup>1</sup> / <sub>16</sub> "	28 <sup>3</sup> / <sub>4</sub> "	41 <sup>5</sup> / <sub>16</sub> "	6 <sup>5</sup> / <sub>16</sub> "	12 <sup>5</sup> / <sub>8</sub> "	30"

\*S = Snap Ring  
P = Polyloc®

Note: Designed to ASME Code. UM Stamp available as an option.

\*\*Dimension C can be varied on Style 6.

### ORDER INFORMATION Check appropriate boxes

**Design Pressure:**  100 PSIG  150 PSIG  Other

**Design Temperature (F°):**  Max \_\_\_\_\_  Min \_\_\_\_\_

**Construction Material:**  Carbon Steel  304 Stainless Steel  316 Stainless Steel  Other \_\_\_\_\_

**Basket Materials:**  304 Stainless Steel (Standard)  316 Stainless Steel  Other \_\_\_\_\_

**Gasket Material:**  BUNA N (Standard)  Viton  Neoprene  EPDM  Teflon Encapsulated  Other \_\_\_\_\_

**Lifting Mechanism:**  Hinge is standard



# SINGLE BAG

## ORDER INFORMATION SHEET

**BFN-11**

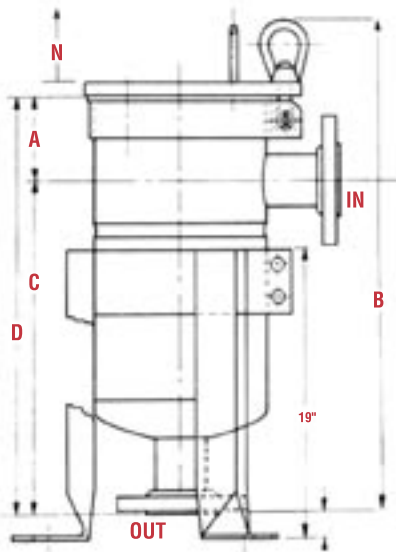
**BFN-12**

**FILTER SPECIALISTS, INC.**

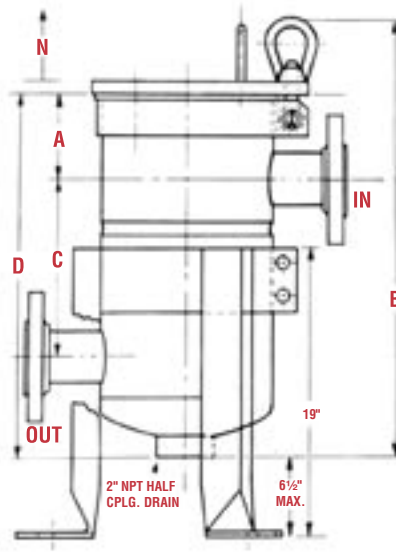
100 Anchor Road P.O. Box 735 (46361) Michigan City, Indiana 46360  
 219-879-3307 800-348-3205 Fax: 219-877-0632

www.fsifilters.com sales@fsifilters.com

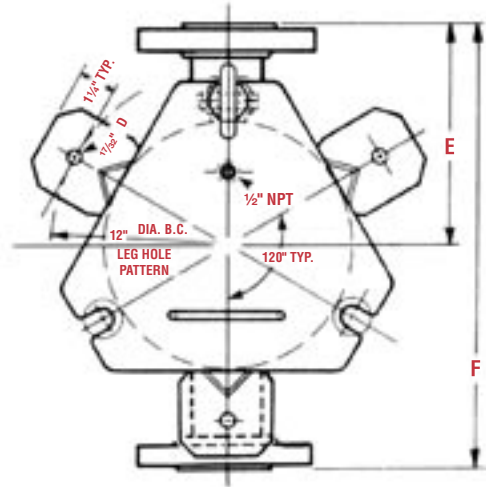
**FLANGE**



**STYLE 2** FLANGE FITTINGS  
SIDE INLET — BOTTOM OUTLET



**STYLE 6** FLANGE FITTINGS  
SIDE INLET — SIDE OUTLET



**TOP**

**BFN-11 (S or P)\* Style 2\*\***

FLG	A	B	C	D	E	N
1"	4 5/8"	30 1/2"	22 3/4"	27 3/8"	8 1/4"	16"
1 1/2"	4 5/8"	30 1/2"	22 3/4"	27 3/8"	8 1/4"	16"
2"	4 5/8"	30 1/2"	22 3/4"	27 3/8"	8 1/4"	16"
2 1/2"	4 7/8"	30 1/2"	22 1/2"	27 3/8"	8 1/4"	16"
3"	5 1/4"	32 1/4"	23 7/8"	29 1/8"	8 1/4"	16"
4"	5 3/4"	33 1/2"	24 1/8"	29 1/8"	8 1/4"	16"

**BFN-11 (S or P)\* Style 6\*\***

FLG	A	B	C	D	E	F	N
1"	4 5/8"	28 3/4"	14 1/4"	25 1/16"	8 1/4"	16 1/2"	16"
1 1/2"	4 5/8"	28 3/4"	14 1/4"	25 1/16"	8 1/4"	16 1/2"	16"
2"	4 5/8"	28 3/4"	14 1/4"	25 1/16"	8 1/4"	16 1/2"	16"
2 1/2"	4 7/8"	28 3/4"	14 1/4"	25 1/16"	8 1/4"	16 1/2"	16"
3"	5 1/4"	30 7/8"	14 1/4"	26 13/16"	8 1/4"	16 1/2"	16"
4"	5 3/4"	30 7/8"	14 1/4"	26 13/16"	8 1/4"	16 1/2"	16"

**BFN-12 (S or P)\* Style 2\*\***

FLG	A	B	C	D	E	N
1"	4 5/8"	45"	37 1/4"	41 7/8"	8 1/4"	30"
1 1/2"	4 5/8"	45"	37 1/4"	41 7/8"	8 1/4"	30"
2"	4 5/8"	45"	37 1/4"	41 7/8"	8 1/4"	30"
2 1/2"	4 7/8"	46 3/4"	38 3/4"	43 5/8"	8 1/4"	30"
3"	5 1/4"	46 3/4"	38 3/8"	43 5/8"	8 1/4"	30"
4"	5 3/4"	48"	38 5/8"	44 3/8"	8 1/4"	30"

**BFN-12 (S or P)\* Style 6\*\***

FLG	A	B	C	D	E	F	N
1"	4 5/8"	43 1/4"	28 3/4"	39 9/16"	8 1/4"	16 1/2"	30"
1 1/2"	4 5/8"	43 1/4"	28 3/4"	39 9/16"	8 1/4"	16 1/2"	30"
2"	4 5/8"	43 1/4"	28 3/4"	39 9/16"	8 1/4"	16 1/2"	30"
2 1/2"	4 7/8"	43 1/4"	28 3/4"	39 9/16"	8 1/4"	16 1/2"	30"
3"	5 1/4"	45 3/8"	28 3/4"	41 5/16"	8 1/4"	16 1/2"	30"
4"	5 3/4"	45 3/8"	28 3/4"	41 5/16"	8 1/4"	16 1/2"	30"

\*S = Snap Ring  
 P = Polyloc®

Note: Designed to ASME Code. UM Stamp available as an option.

\*\*Dimension C can be varied on Style 6.

### ORDER INFORMATION Check appropriate boxes

Design Pressure:  150 PSIG

Design Temperature (F°):  Max \_\_\_\_\_ Min \_\_\_\_\_

Construction Material:  Carbon Steel  304 Stainless Steel  316 Stainless Steel  Other \_\_\_\_\_

Basket Materials:  304 Stainless Steel (Standard)  316 Stainless Steel  Other \_\_\_\_\_

Gasket Material:  BUNA N (Standard)  Viton  Neoprene  EPDM  Teflon Encapsulated  Other \_\_\_\_\_

Lifting Mechanism:  Hinge is standard