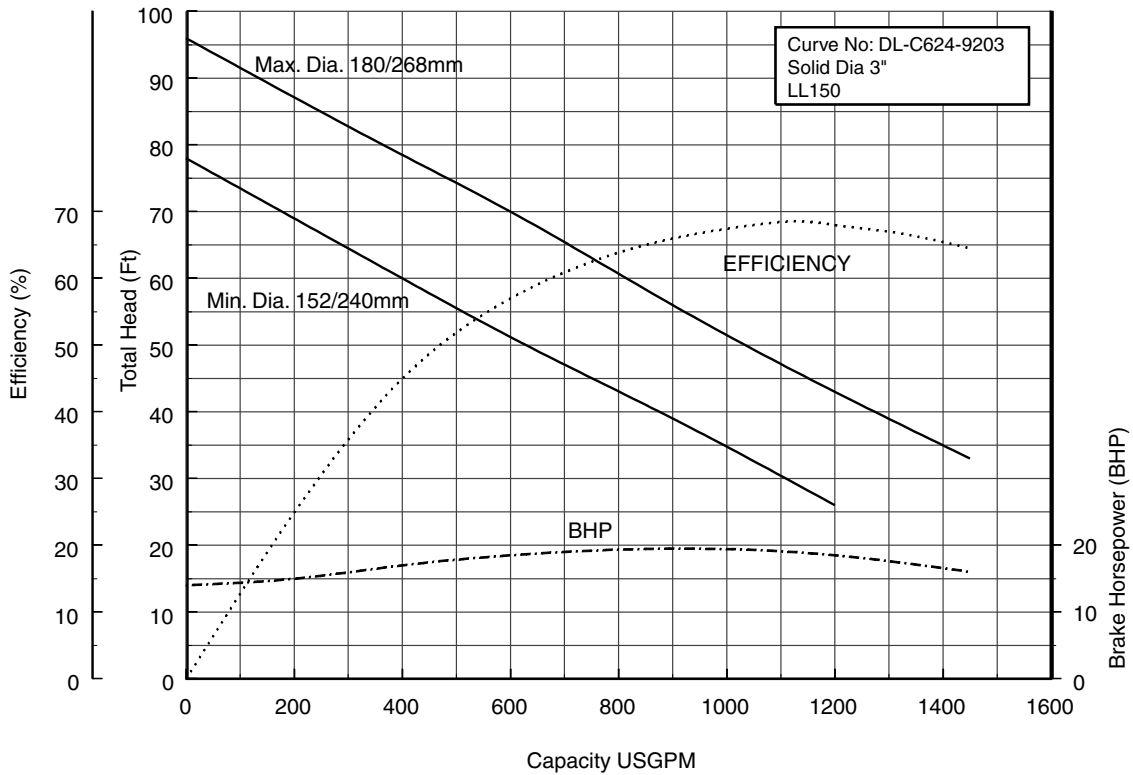


Performance Curves

Project: _____ GPM: _____ TDH: _____ EFF: _____ HP: _____ Chk'd: _____ Date: _____

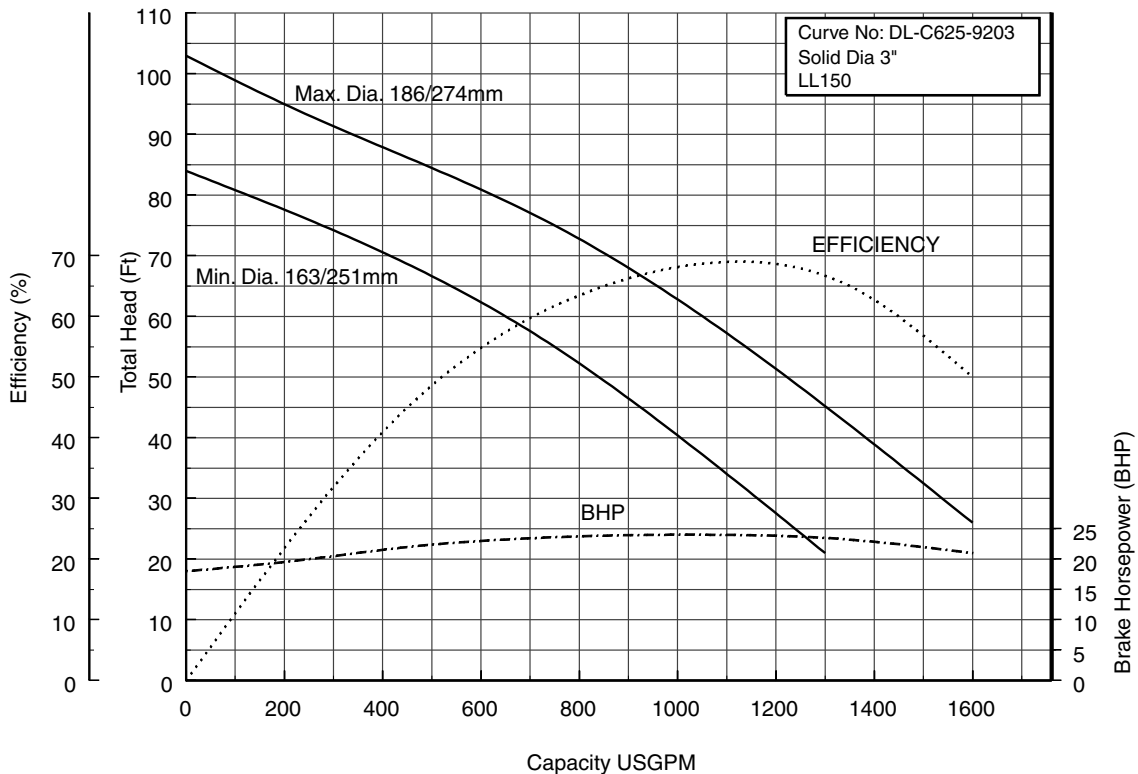
150DLF615 200DLF615 (20HP) Synchronous Speed: 1800 RPM

6, 8 inch Discharge



150DLF618 200DLF618 (25HP) Synchronous Speed: 1800 RPM

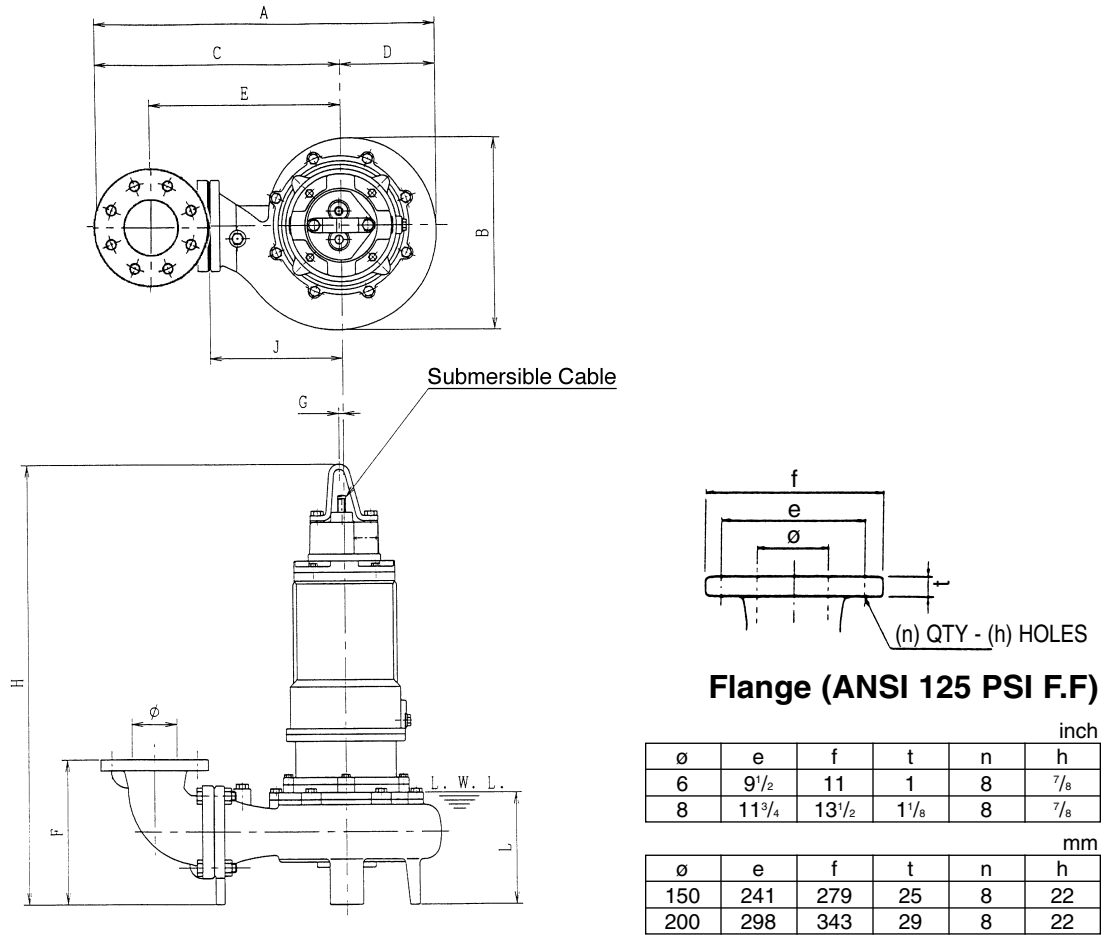
6, 8 inch Discharge



Dimensions

Project: _____ Model: _____ Chk'd: _____ Date: _____

Model DLFU
150DLFU, 10 to 60HP



Dimensions: inch

PHASE	SIZE ø	MODEL	OUTPUT		PUMP & MOTOR										WEIGHT Lb
			KW	HP	A	B	C	D	E	F	G	H	J	L	
THREE	6/8	150DLFU67.5	7.5	10	31 ³ / ₄	16 ¹⁵ / ₁₆	23 ¹ / ₄	8 ⁹ / ₁₆	17 ¹¹ / ₁₆	16 ⁵ / ₁₆	³ / ₈	38 ¹ / ₂	11 ¹³ / ₁₆	12 ³ / ₈	428
		150DLFU611	11	15	31 ³ / ₄	16 ¹⁵ / ₁₆	23 ¹ / ₄	8 ⁹ / ₁₆	17 ¹¹ / ₁₆	16 ⁵ / ₁₆	⁵ / ₁₆	42 ⁹ / ₁₆	11 ¹³ / ₁₆	12 ⁵ / ₈	549
		150DLFU615	15	20	33	17 ¹³ / ₁₆	24	9	18 ¹ / ₂	16 ¹ / ₈	⁵ / ₁₆	44 ¹ / ₄	12 ⁵ / ₈	12 ⁵ / ₈	635
		150DLFU618	18.5	25	33	17 ¹³ / ₁₆	24	9	18 ¹ / ₂	16 ¹ / ₈	⁵ / ₁₆	45 ¹³ / ₁₆	12 ⁵ / ₈	12 ⁵ / ₈	712
		150DLFU622	22	30	34 ¹ / ₄	18 ⁷ / ₈	24 ¹³ / ₁₆	9 ¹ / ₂	19 ⁹ / ₁₆	16 ⁵ / ₁₆	⁵ / ₁₆	45 ³ / ₄	13 ³ / ₈	12 ⁵ / ₈	787
		150DLFU630	30	40	32 ¹ / ₂	18 ⁹ / ₁₆	23 ¹ / ₄	9 ⁵ / ₁₆	17 ³ / ₄	23 ⁷ / ₈	⁵ / ₁₆	52 ⁹ / ₁₆	13 ³ / ₄	16 ¹ / ₈	1294
		150DLFU637	37	50	32 ¹ / ₂	18 ⁹ / ₁₆	23 ¹ / ₄	9 ⁵ / ₁₆	17 ³ / ₄	23 ⁷ / ₈	⁵ / ₁₆	55 ⁷ / ₈	13 ³ / ₄	16 ¹⁵ / ₁₆	1345
		150DLFU645	45	60	32 ¹ / ₂	18 ⁹ / ₁₆	23 ¹ / ₄	9 ⁵ / ₁₆	17 ³ / ₄	23 ⁷ / ₈	⁵ / ₁₆	55 ⁷ / ₈	13 ³ / ₄	16 ¹⁵ / ₁₆	1404

Dimensions: mm

PHASE	SIZE ø	MODEL	OUTPUT		PUMP & MOTOR										WEIGHT kg
			KW	HP	A	B	C	D	E	F	G	H	J	L	
THREE	150/200	150DLFU67.5	7.5	10	806	430	590	217	450	414	10	978	300	315	194
		150DLFU611	11	15	806	430	590	217	450	414	8	1071	300	315	249
		150DLFU615	15	20	838	453	610	228	470	410	8	1124	320	320	288
		150DLFU618	18.5	25	838	453	610	228	470	410	8	1164	320	320	323
		150DLFU622	22	30	870	479	630	241	490	411	8	1162	340	320	357
		150DLFU630	30	40	826	471	590	236	451	607	8	1335	350	409	587
		150DLFU637	37	50	826	471	590	236	451	607	8	1420	350	430	610
		150DLFU645	45	60	826	471	590	236	451	607	8	1420	350	430	637

