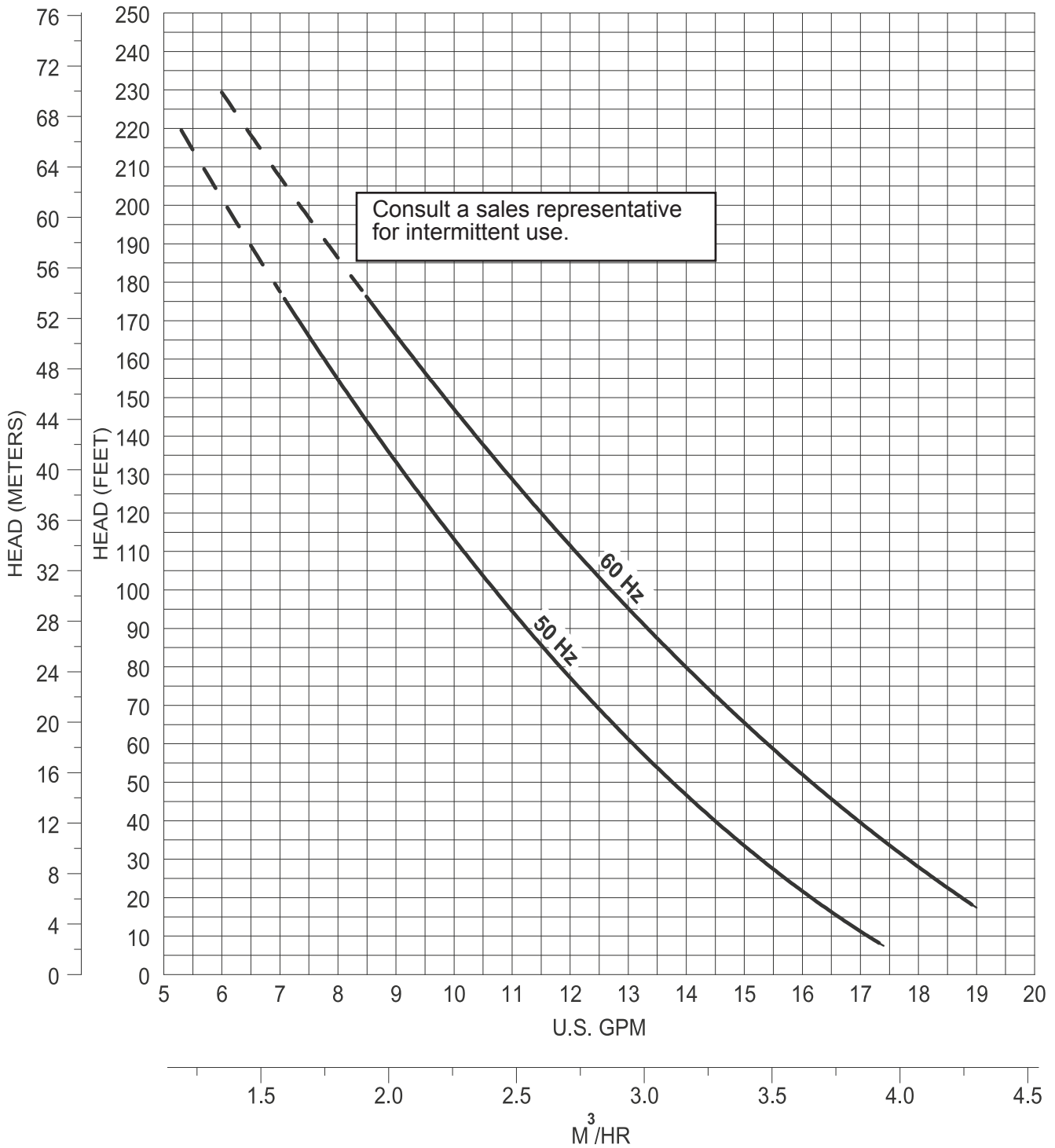


Performance Curve HPD200

RPM: 1725 60Hz or 1460 50Hz Discharge: 1-1/4"

Page: 1, Model: HPD200
Complete Grinder Package Offering

Dated: October 2005
Supersedes: October 2000
Page101A



The curves reflect maximum performance characteristics without exceeding full load (Nameplate) horsepower. All pumps have a service factor of 1.2. Operation is recommended in the bounded area with operational point within the curve limit. Performance curves are based on actual tests with clear water at 70° F. and 1280 feet site elevation.



Conditions of Service:

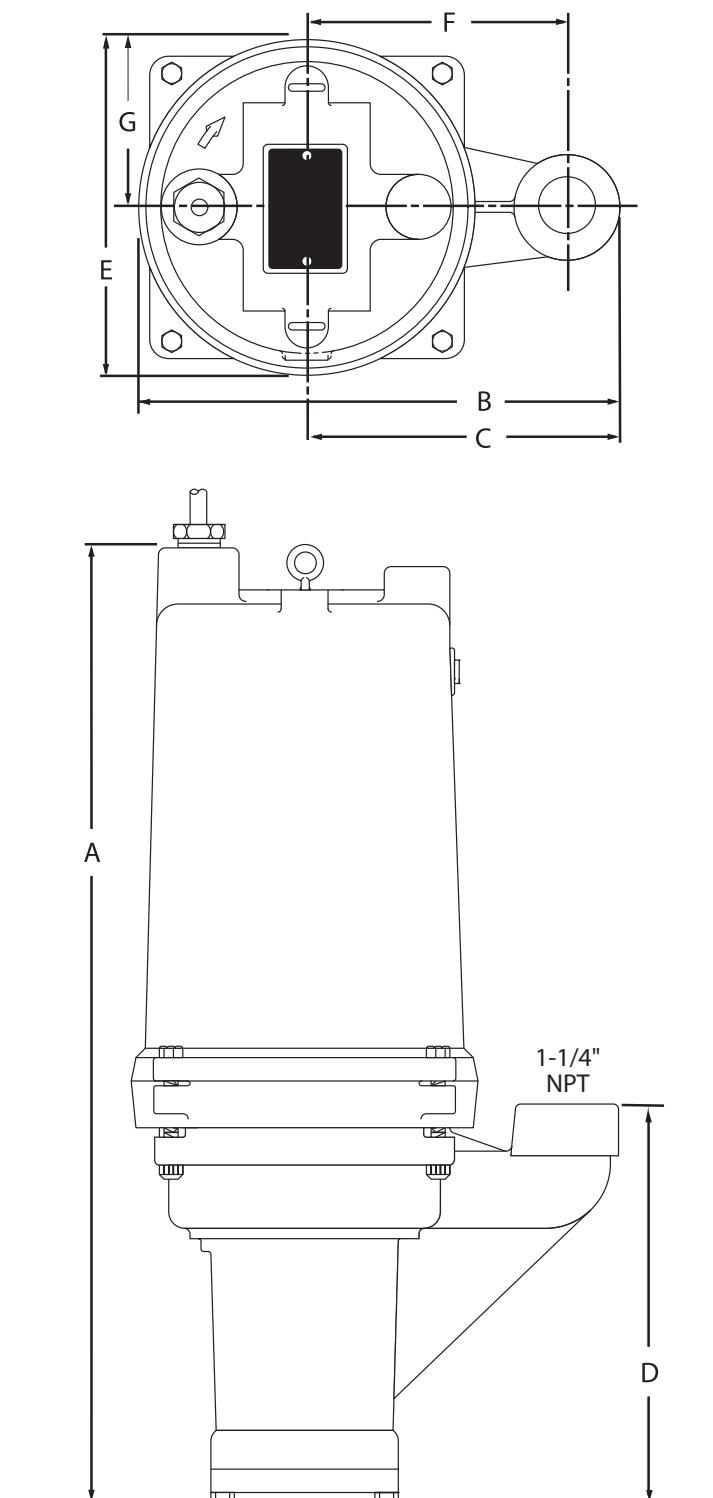
GPM: _____ TDH: _____

Dimensional Data

HPD200

Page: 2, Model: HPD200
 Complete Grinder Package Offering

Dated: October 2005
 Supersedes: December 2002
 Page 201A



	A	B	C	D	E	F	G
HPD200	22-1/4	10-1/2	7-1/4	9-1/8	6-19/32	6	3-5/16

Electrical Data

HPD200

Page: 3, Model: HPD200
Complete Grinder Package Offering

Dated: October 2005
Supersedes: December 2002
Page 301A

R.P.M.	1750 (60Hz) and 1460 (50Hz)
MOTOR TYPE	ENCLOSED, OIL COOLED INDUCTION, CAP START; CAP RUN
MOTOR DESIGN NEMA TYPE	A (1 \emptyset)
GENERAL INSULATION CLASS	B
STATOR WINDING CLASS	F
MAXIMUM STATOR TEMPERATURE	130°C
VOLTAGE TOLERANCE	±10%

HP	VOLTAGE	PHASE	NEC CODE	SF	FULL LOAD AMPS	RUN KW	START KVA	RUN KVA
2	230	1	D	1.0	8.0	-	3.90	1.40

MODEL: HPD200 - Submersible Positive Displacement Grinder Pump**Physical Data:**

DISCHARGE SIZE	1¼" NPT
PUMPING STATOR	BUNA-N; DOUBLE HELIX
PUMPING ROTOR	300 SERIES SST; SINGLE LOBE
CABLE LENGTH	20' STANDARD
PAINT	PAINTED AFTER ASSEMBLY. DARK GREEN, ENAMEL, ONE COAT, AIR DRIED.

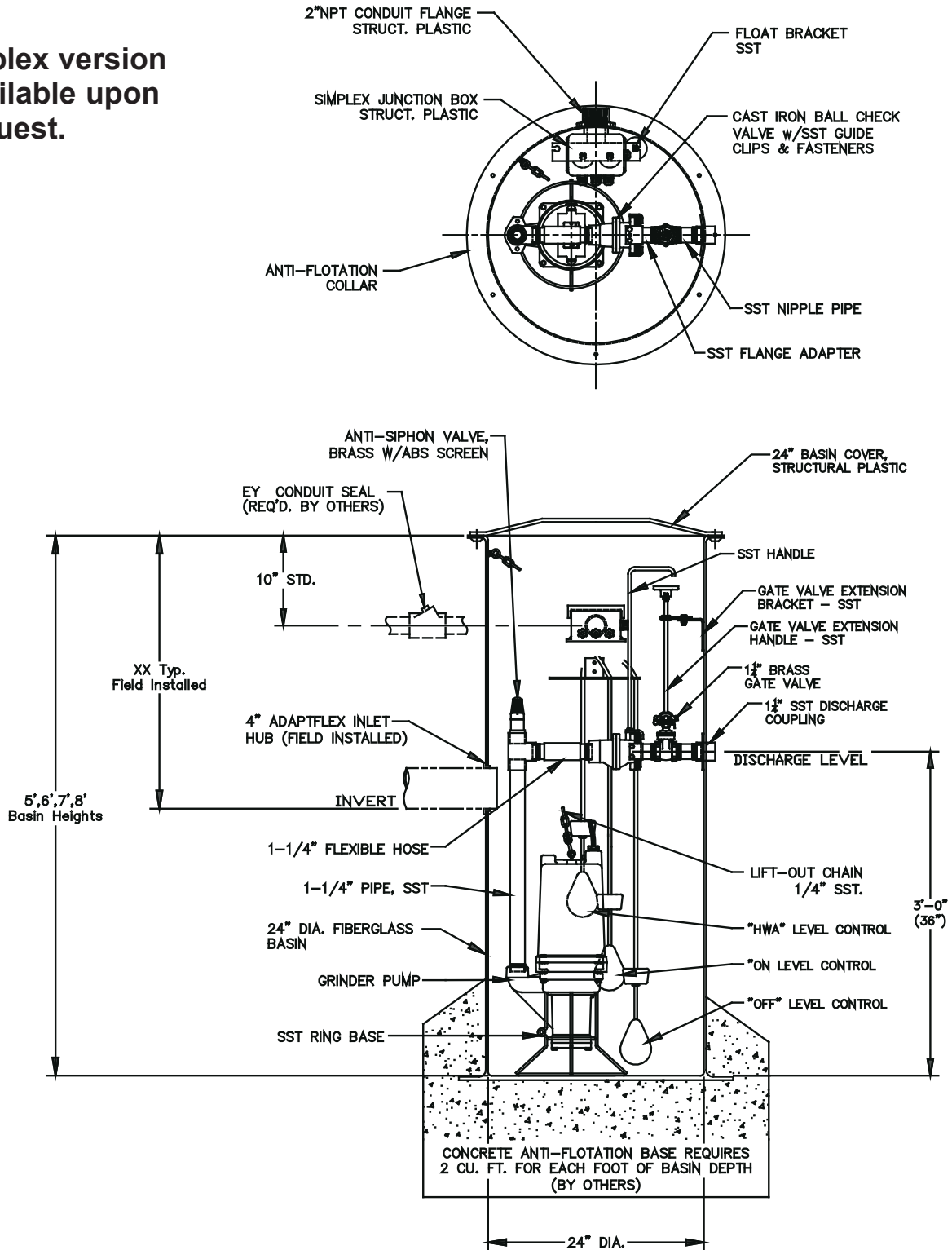
Temperature:

MAXIMUM LIQUID	140°F
MAXIMUM STATOR	266°F
OIL FLASH POINT	390°F
HEAT SENSOR	Open: 257°F MAX./239°F MIN. Closed: 194°F MAX./149°F MIN.

Technical Data:

POWER CORD TYPE	SJOW/SJOW-A WATER RESISTANT 600V, 60°C, CSA APPROVED	
MATERIALS OF CONSTRUCTION	MOTOR HOUSING	CAST IRON ASTM A-48 CLASS 30
	CASING	CAST IRON ASTM A-48 CLASS 30
	CUTTERS	Stationary: 440C STAINLESS STEEL HARDENED TO 55-60 ROCKWELL C Lower (Radial): 440C STAINLESS STEEL HARDENED TO 55-60 ROCKWELL C
	MOTOR SHAFT	416 STAINLESS STEEL
	HARDWARE	303 SERIES STAINLESS STEEL
	"O" RINGS	BUNA N
MECHANICAL SEALS	Standard: SINGLE CARBON/CERAMIC/BUNA-N, TYPE 2100	
UPPER BEARING	(RADIAL) SINGLE ROW BALL 6203	
LOWER BEARING	(THRUST) SINGLE ROW BALL 6306	
MIN. B-10 BEARING LIFE	50,000 Hrs	

Duplex version
available upon
request.



**Specification
Data** **HPD200
TG-Pro System**

Page: 6, Model: HPD200
Complete Grinder Package Offering

Dated: October 2005

To obtain specification, consult your Hydromatic distributor or sales representative.