

# Standard Product Capabilities

Pump solutions from a World Leader



## FF-H Series

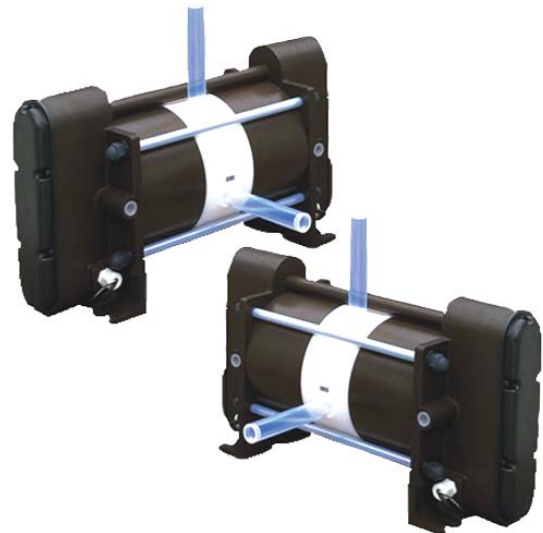
### All-temperature bellows pump

Iwaki America's best known bellows pumps, the FF-H Series, offers a full temperature range (20 to 180°C) in three sizes, encompassing most wet bench recirculation pump requirements.

High purity and exceptional performance are central to the design mission of these pumps - the pumps are manufactured in a class 10,000 clean room environment.

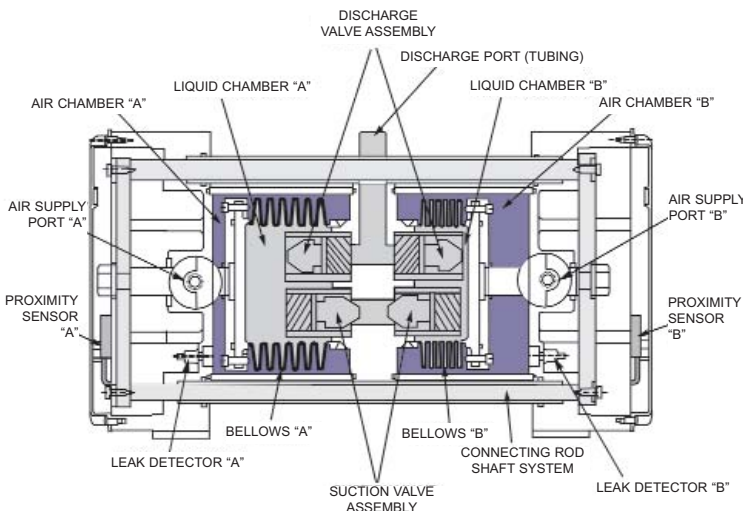
The PTFE bellows, PFA valves, and tubing are welded, ensuring the greatest possible resistance to contamination. The Intake/Output fittings are integral to the fluid path - there are no ridges where particulates can accumulate.

The pump is sensor driven, optimizing pressure, stroke and speed for unsurpassed reliability and service life. There are no internal parts to be maintained - no o-rings or gaskets which would require downtime and rebuilding. In fact, there is no scheduled maintenance and a full two year warranty!!



**FF-H SERIES BELLOWS PUMP HANDLES HIGH TEMPERATURE WITH EASE, 3 SIZES to 45 LPM, HIGH and LOW TEMP RATED**

*Think twice. Spec once.*

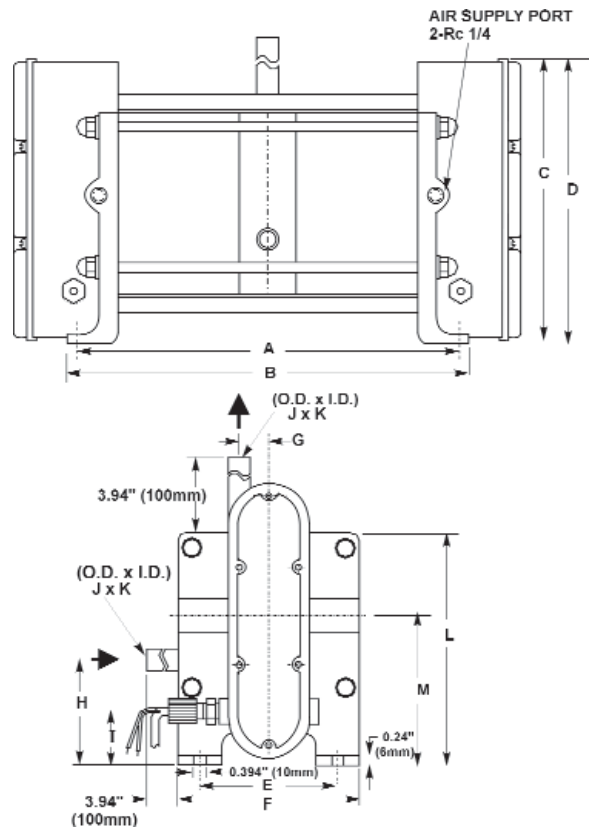
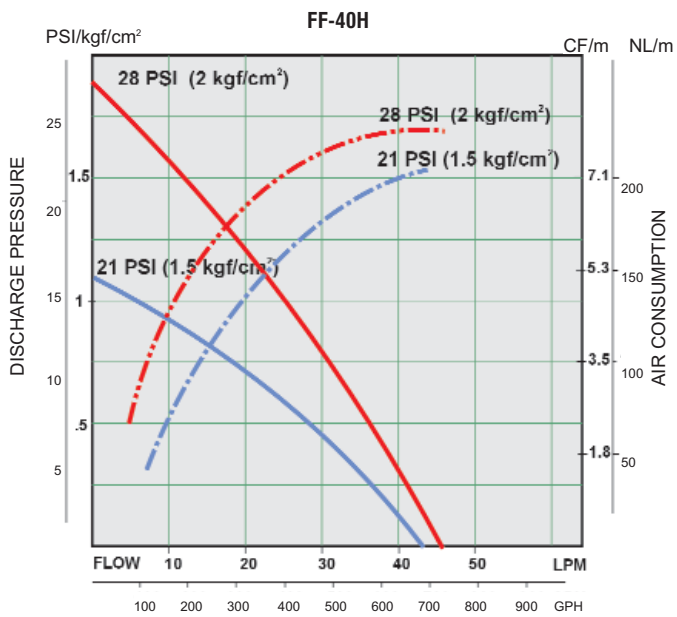
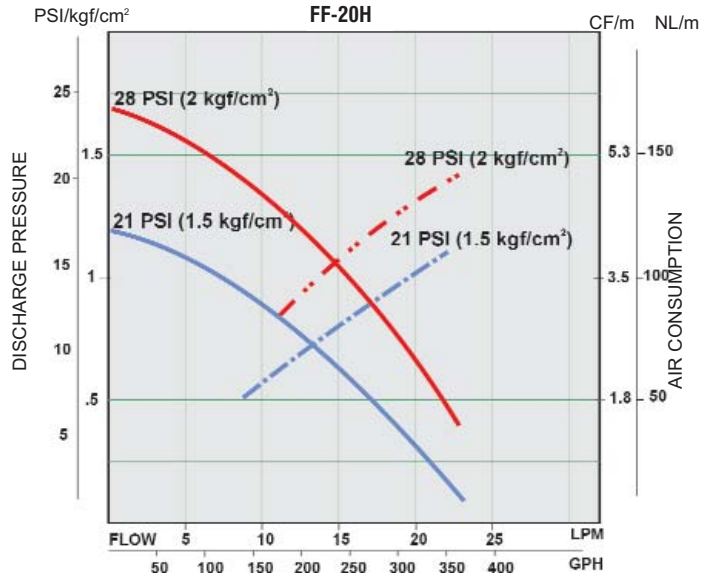
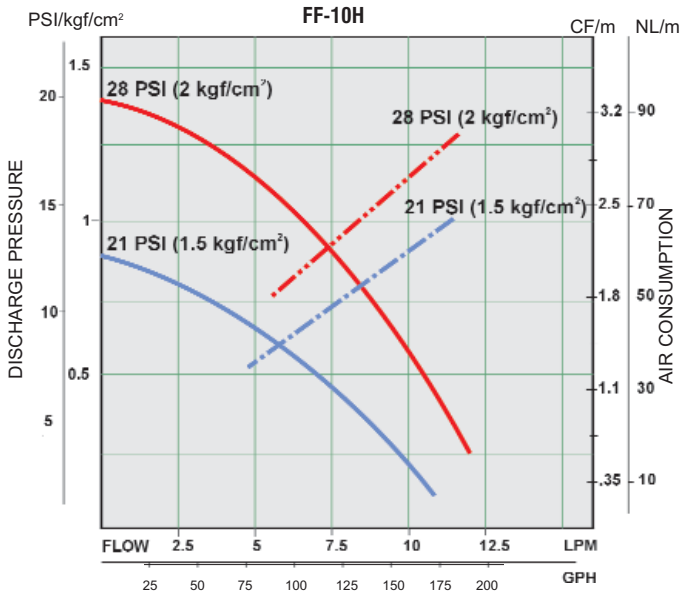


#### Specifications

Model	FF-10H	FF-20H	FF-40H
Max discharge capacity	3.1 gal/min (12 L/min)	5.8 gal/min (22 L/min)	11.6 gal/min (45 L/min)
Max stroke speed	120 spm		80 spm
Liquid temperature range	68-356°F (20-180°C)		
Maximum air supply pressure	28.4 PSI (0.2 MPa)		
Pump connection size	PFA ½" tubing	PFA ¾" tubing	PFA 1" tubing
Supply air connection size*	¼" PT		3/8" PT
Max air consumption	90 NL/min (3.2 CFM)	160 NL/min (5.7 CFM)	200 NL/min (7.1 CFM)

**PROVEN  
RELIABILITY.  
ADVANCED  
TECHNOLOGY.**





**Dimensions in inches (mm)**

Model	A	B	C	D	E	F	G	H	I	J x K	L	M
FF-10H	10.48 (266)	14.22 (361)	7.41 (188)	7.53 (191)	3.31 (84)	4.49 (114)	0.57 (14.5)	3.23 (82)	1.26 (32)	1/2" TUBING Ø13 x Ø10	6.07 (154)	3.82 (97)
FF-20H	16.98 (431)	21.00 (533)	9.46 (240)	9.85 (250)	5.52 (140)	7.09 (180)	0.79 (20)	3.82 (97)	1.58 (40)	3/4" TUBING Ø19 x Ø16	7.17 (182)	4.41 (112)
FF-40H	16.98 (431)	21.00 (533)	9.46 (240)	9.85 (250)	5.52 (140)	7.09 (180)	0.93 (23.5)	3.82 (97)	1.58 (40)	1" TUBING Ø25 x Ø22	8.66 (220)	5.12 (130)

Dimensions subject to change without notice. Consult your local distributor for current information.

