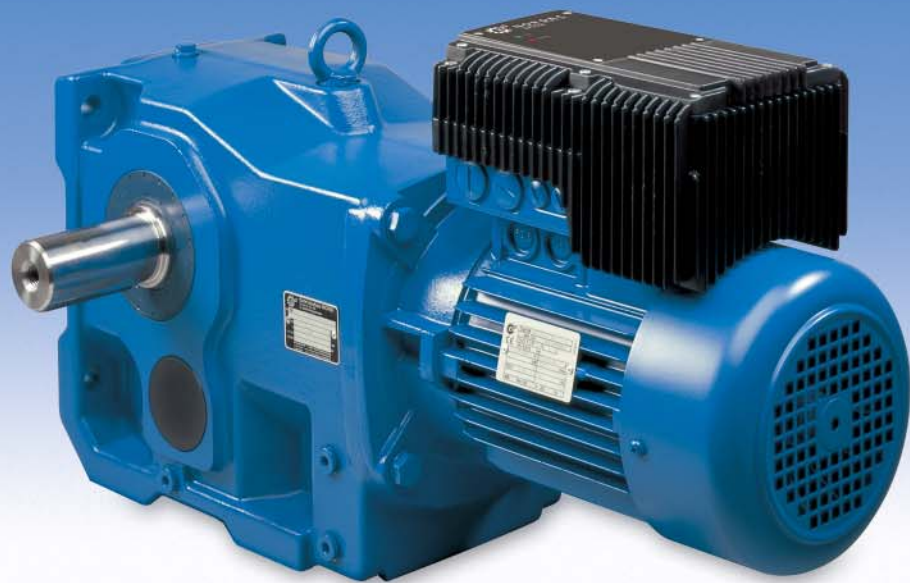




NORDAC[®]
trio

SK 300E FREQUENCY INVERTER
MOTOR
SPEED REDUCER



F3031

THE **NORDAC TRIO SK 300E**

INCLUDES A NORD DESIGNED AND MANUFACTURED SPEED REDUCER, INTEGRAL MOTOR, AND SK 300E FREQUENCY INVERTER – ALL FULLY-ASSEMBLED IN ONE COMPACT PACKAGE!



ONE COMPACT PACKAGE MEANS:

- ONE unit to order – no final assembly
- ONE supplier to specify – not three
- ONE unit to install – not three separate components
- ONE economical solution – priced together
- ONE call for assistance – not three

UNICASE™ SPEED REDUCERS

AVAILABLE WITH RATIOS AND OUTPUT SPEEDS:

- In-Line Helical
 - 1.24:1 to 14,340.31:1
 - 0.13 - 1,411 rpm
- NORDBLOC® In-Line
 - 1.88:1 to 370.96:1
 - 4.7 – 931 rpm
- Shaft Mount Parallel
 - 4.03:1 to 6,616.79:1
 - 0.26 – 434 rpm
- Bevel Right Angle
 - 3.85:1 to 4,916.63:1
 - 0.36 – 454 rpm
- Helical-Worm Right Angle
 - 4.40:1 to 7,095.12:1
 - 0.25 – 398 rpm
- MINICASE® Worm
 - 5.40:1 to 583.12:1
 - 3.0 – 324 rpm
- UNIBLOC™ Worm
 - 5:1 to 3,000:1
 - 0.58 – 350 rpm

INTEGRAL MOTORS

- 380-460 V
- 50 or 60 Hz
- 0.16 to 5 HP
- 0.12 to 4 kW
- 2, 4 or 6 pole
- Full range of options

SK 300E FREQUENCY INVERTER

- Sensorless vector control
 - High torque
 - Wide speed range
 - Rapid response
- Fully featured with
 - 100 adjustable parameters (20 in default view)
 - 23 information settings
 - 13 diagnostic messages
 - 2 parameter sets
- Built-in motor brake rectifier
- Built-in inverter braking chopper (resistor optional)
- Integrated Class B line filter
- Unique plug-in construction; program stays with motor
- Gearmotor or wall mountable
- IP66 washdown protection (NEMA 4 & 12)
- Flexible operating modes via optional interfaces
 - Signal enabled on/off
 - Potentiometer with CW/OFF/CCW switch
 - Analog/digital discrete control
 - 0...+10V
 - 0/4...20mA
 - PC control thru standard RS485 with NORDCON software
 - Removable P-box control for basic functions, full feature programming and data readout
- Field bus interface
 - DeviceNET
 - Profibus
 - CAN
 - Asi
 - Interbus



MODULAR DESIGN/ POWERFUL OPTIONS

Discrete Control



- Included on base unit as standard
 - One digital input
 - RS-485 interface
 - Fault relay
 - Signal relay
- Optional Basic I/O Module includes
 - Three digital inputs and 15V supply
 - One differential analog input for 0 to 10V, 0 to 20mA or 4 to 20mA (selectable)
 - Potentiometer reference supply (+10V)
 - PID control
- Optional Enhanced Standard I/O Module includes
 - Four digital inputs and 15V supply
 - Two single-ended analog inputs
 - Potentiometer reference supply (+10V)
 - One selectable analog or digital output
 - PID control

Potentiometer Box



An infinitely variable potentiometer and a three-stage switch to select clockwise/stop (off)/counterclockwise rotation, which is perfect for small conveyors.

Field Bus Interfaces



With the bus system, data can be exchanged with automation devices such as Profibus, DeviceNET, CANopen, PC's, operation and monitoring units. All are enabled to communicate in a serial bit mode via a single bus.

Distributed Control

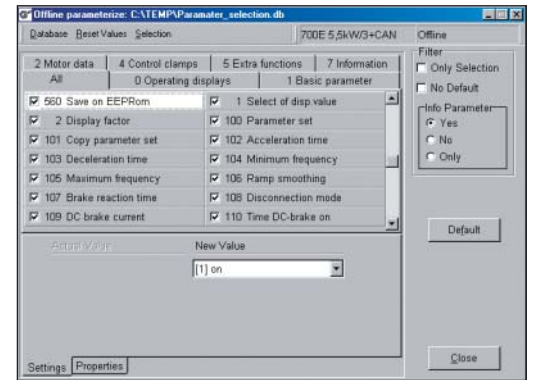
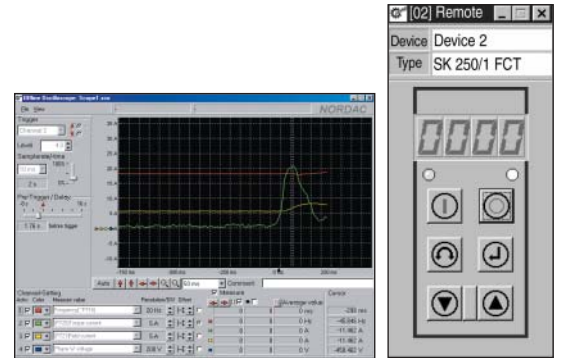


Additional distributed control options available – consult factory.

NORDAC *p-box*



The NORDAC *p-box* is an external add-on unit that can be used to control, change and display the parameters of any connected inverter. The *p-box* connects to the provided M12 female connector on the outside of the inverter, and can manage and storage up to 5 unique parameter sets.



NORDCON Software

NORDCON is a PC program designed to control and set the parameters. This software can be installed on any computer with a Windows 95, 98, NT, 2000, or ME operating system. NORDCON provides for accessing up to 31 Frequency Inverters simultaneously via the RS485 interface.

With our NORDCON Software you can:

- Establish, document, and save the parameter settings of a frequency inverter
- Control the connected frequency inverters
- Monitor the connected frequency inverters
- Produce macros for process sequences on a test basis
- Handle remote control of connected frequency inverters

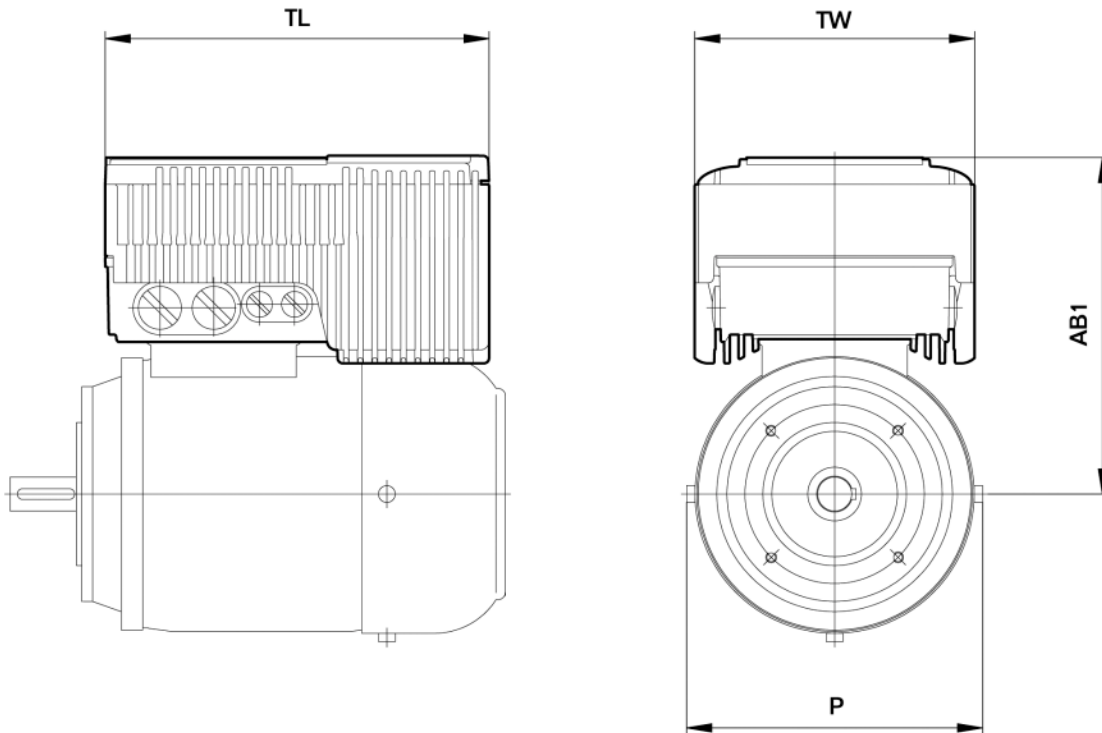
To facilitate configuration or parameterization, the program will present a simulation of the control panel enabling operators to carry out remote control in the same way as if they were programming the device on the spot.

NORDCON includes macros that can be used to develop simple process sequences for integration into testing procedures during system start-up, and they can also be involved in setting parameters.

SK 300E FREQUENCY INVERTER DIMENSIONS

Inverter Type SK 300E	Inverter Size	Basic NORD Motor Description	Power Rating HP/kW	P (in)	AB1 (in)	TL (in)	TW (in)	Weight (lbs)
-550-340-B	BG1	63 S/4	0.16 / 0.12	5.12	7.48	8.43	6.14	8.8
		63 L/4	0.25 / 0.18	5.12	7.48	8.43	6.14	
		71 S/4	0.33 / 0.05	5.71	7.78	8.43	6.14	
		71 L/4	0.50 / 0.37	5.71	7.78	8.43	6.14	
		80 S/4	0.75 / 0.55	6.50	7.42	8.43	6.14	
-750-340-B		80 L/4	1 / 0.75	6.50	7.42	8.43	6.14	
-111-340-B		90 S/4	1.5 / 1.1	7.20	7.62	8.43	6.14	
-151-340-B		90 L/4	2 / 1.5	7.20	7.62	8.43	6.14	
-221-340-B	BG2	100 L/4	3 / 2.2	7.91	9.19	11.10	7.72	18.5
-401-340-B		100 L/40	5 / 3.7	7.91	9.19	11.10	7.72	

**Notes: Dimensions subject to change without notice.
Dimensions shown for 5:1 constant torque 4-pole motors.**



NORD Gear Corporation

National Customer Service Toll Free 888/314-NORD

WEST

1121 Railroad Street, Bldg. 101
Corona, CA 92882
Phone 909-279-2600
Fax 888/GOT-NORD (408-6673)

MIDWEST

800 Nord Dr., P.O. Box 367
Waunakee, WI 53597-0367
Phone 608-849-7300
Fax 800-373-NORD (6673)

SOUTH

100 Forsyth Hall Dr., Bldg. 100 B
Charlotte, NC 28273
Phone 704-529-1255
Fax 888-259-NORD (6673)

NORD Gear Limited

Toll Free in Canada 800/668-4378

CANADA

41 West Drive
Brampton, Ontario L6T 4A1
Phone 905-796-3606
Fax 905-796-8130

www.nord.com