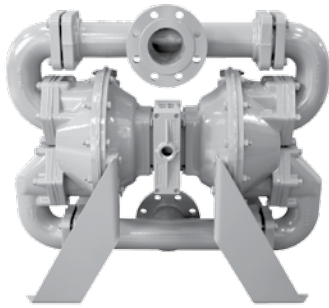


PROFLO V™
PROGRESSIVE PUMP TECHNOLOGY

PV1510 ADVANCED SERIES METAL PUMP

76 mm (3") Pump
Maximum Flow Rate:
996 LPM (263 GPM)



PUMP DATA

Specifications:

Height: 754 mm (29.7")
Width: 874 mm (34.4")
Depth: 427 mm (16.8")
Air Inlet: 19 mm (3/4" FNPT)
Liquid Inlet: 76 mm (3")
Liquid Outlet: 76 mm (3")

Wetted Material:

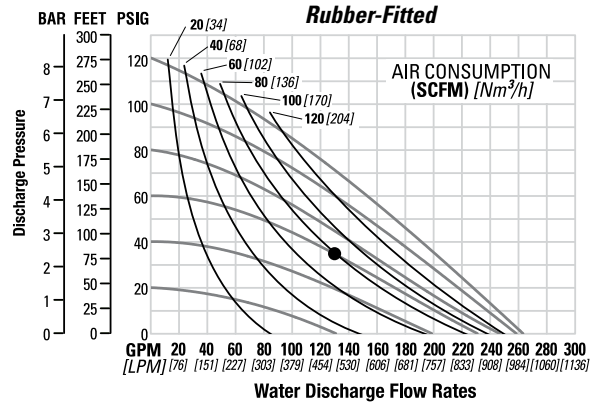
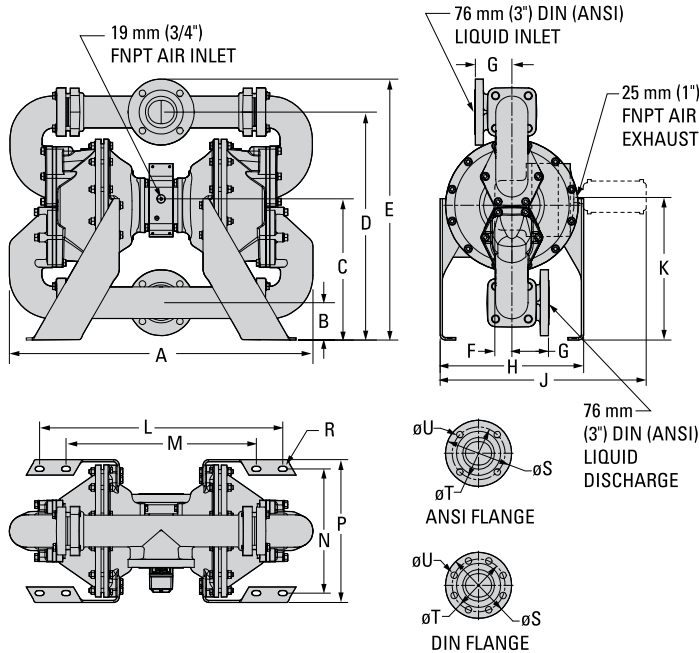
Aluminum: 81 kg (177 lbs)
Ductile Iron: 159 kg (349 lbs)

Temperature Limits:

Nylon -17.8°C to 93.3°C 0°F to 200°F
Neoprene -17.8°C to 93.3°C 0°F to 200°F
Buna-N -12.2°C to 82.2°C 10°F to 180°F
Nordel® -51.1°C to 137.8°C -60°F to 280°F
Viton® -40°C to 176.7°C -40°F to 350°F
Wil-Flex™ -40°C to 107.2°C -40°F to 225°F
Polyurethane 12.2°C to 65.6°C 10°F to 150°F
Saniflex™ -28.9°C to 104.4°C -20°F to 220°F
PTFE -28.9°C to 148.9°C -20°F to 300°F

PERFORMANCE

Max. Flow: 996 lpm (263 gpm)
Max. Pressure: 8.6 bar (125 psig)
Max. Solids Passage: 76 mm (3")
Max. Suction Lift (wet): 9.3 m (30.6')
(dry): 9.2 m (30.1')



ITEM	METRIC (mm)	STANDARD (inch)	ITEM	METRIC (mm)	STANDARD (inch)
A	874	34.4	L	699	27.5
B	107	4.2	M	546	21.5
C	406	16.0	N	358	14.1
D	658	25.9	P	411	16.2
E	754	29.7	R	8	0.3
F	48	1.9		DIN (mm)	ANSI (inch)
G	104	4.1	S	200 DIA.	7.5 DIA.
H	411	16.2	T	160 DIA.	6.0 DIA.
J	592	23.3	U	18 DIA.	0.8 DIA.
K	410	16.1			