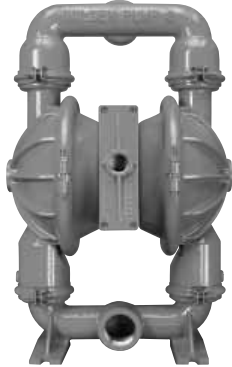


PROFLO V™
ADVANCED DIAPHRAGM TECHNOLOGY

PV8 ORIGINAL™ METAL PUMP

51 mm (2") Pump
Maximum Flow Rate:
675 LPM (178 GPM)



PUMP DATA

Specifications:

Height: 668 mm (26.3")
Width: 404 mm (15.9")
Depth: 348 mm (13.7")
Air Inlet: 19 mm (3/4" FNPT)
Liquid Inlet: 51 mm (2")
Liquid Outlet: 51 mm (2")

Wetted Material:

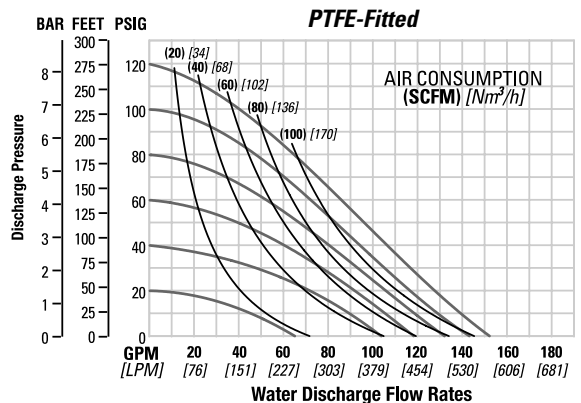
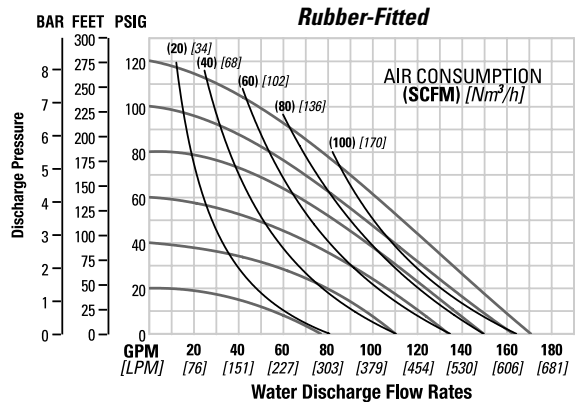
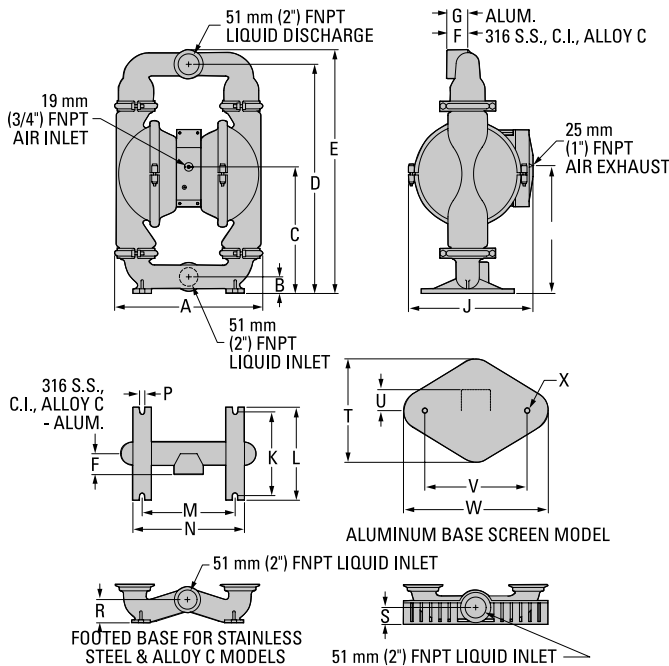
Alloy C: 54 kg (119 lbs)
Aluminum: 35 kg (78 lbs)
Cast Iron: 51 kg (112 lbs)
Stainless Steel: 53 kg (117 lbs)

Temperature Limits:

Nylon -17.8°C to 93.3°C 0°F to 200°F
Neoprene -17.8°C to 93.3°C 0°F to 200°F
Buna-N -12.2°C to 82.2°C 10°F to 180°F
Nordel® -51.1°C to 137.8°C -60°F to 280°F
Viton® -40°C to 176.7°C -40°F to 350°F
Wil-Flex™ -40°C to 107.2°C -40°F to 225°F
Polyurethane 12.2°C to 65.6°C 10°F to 150°F
Saniflex™ -28.9°C to 104.4°C -20°F to 220°F
PTFE -28.9°C to 148.9°C -20°F to 300°F

PERFORMANCE

Max. Flow: Rubber/TPE 675 lpm (178 gpm)
PTFE 575 lpm (152 gpm)
Max. Pressure: 8.6 bar (125 psig)
Max. Solids Passage: 6.4 mm (1/4")
Max. Suction Lift (wet): Rubber/TPE 9.5 m (31.2")
PTFE 9.5 m (31.2")
(dry): Rubber/TPE 7.3 m (23.8")
PTFE 5.4 m (17.6")



ITEM	METRIC (mm)	STANDARD (inch)	ITEM	METRIC (mm)	STANDARD (inch)
A	404	15.9	M	257	10.1
B	48	1.9	N	312	12.3
C	345	13.6	P	15	0.6
D	630	24.8	R	64	2.5
E	668	26.3	S	51	2.0
F	58	2.3	T	282	11.1
G	61	2.4	U	71	2.8
H	351	13.8	V	279	11.0
J	340	13.4	W	386	15.2
K	229	9.0	X	15 DIA.	.6 DIA.
L	254	10.0			