

Rotary Lobe Pump LobeStar RL266

Holland® Pump Company
Corporate Office: 2610 Sidney Lanier Drive
Brunswick, Georgia 31525
Phone 912-466-0304
1-888-997-PUMP
www.hollandpump.com

PUMP SPECIFICATIONS

Rated Capacities: 0 - 1328 GPM

Displacement: 266 US gallons per 100 revolutions

Max Continuous Pressure: 50 psi

Max Intermittant Pressure: 70 psi

Starting Torque: 3857 in lb

Flange Connections: 8" Raised Face ANSI, 150 lbs. Flange connections included

Rated Speed: 0 - 500 RPM. Consult factory for recommended operating speeds

Mechanical Seals: 2 Duronit vs. Duronit seal cartridges. The seal holder is plated with electroless nickel

Rotors in: Helix three wing rotors, NBR standard, other materials available on request

Wet-Ends: Standard in Gray Cast Iron

Bearings: L10 life estimated beyond 100,000 hours

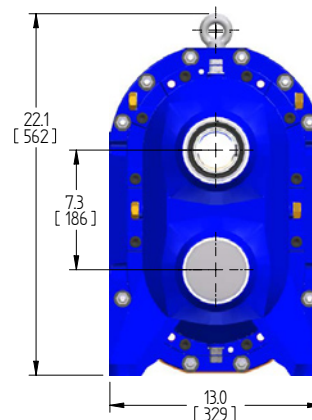
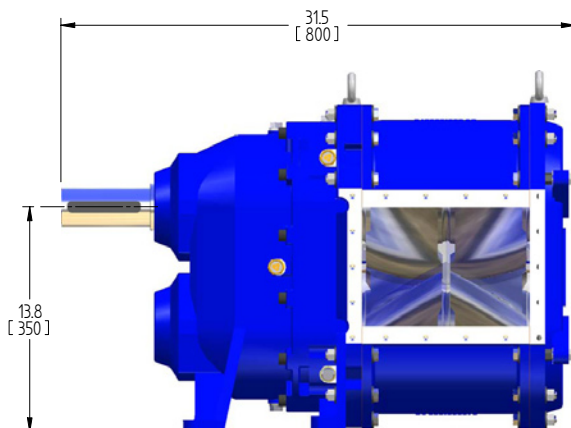
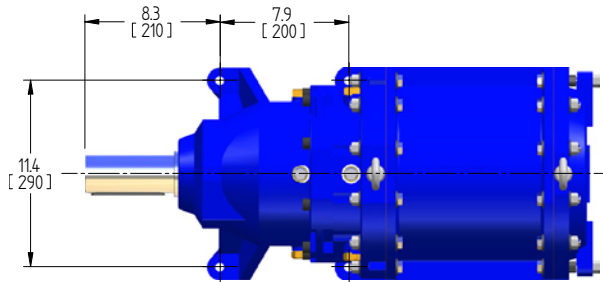
Solids Passing: to 2.5" Solids

Shaft Material: Alloy Steel, AISI 4140

Driveshaft: Nominal 42mm diameter driveshaft with 8mm x 12mm keyway

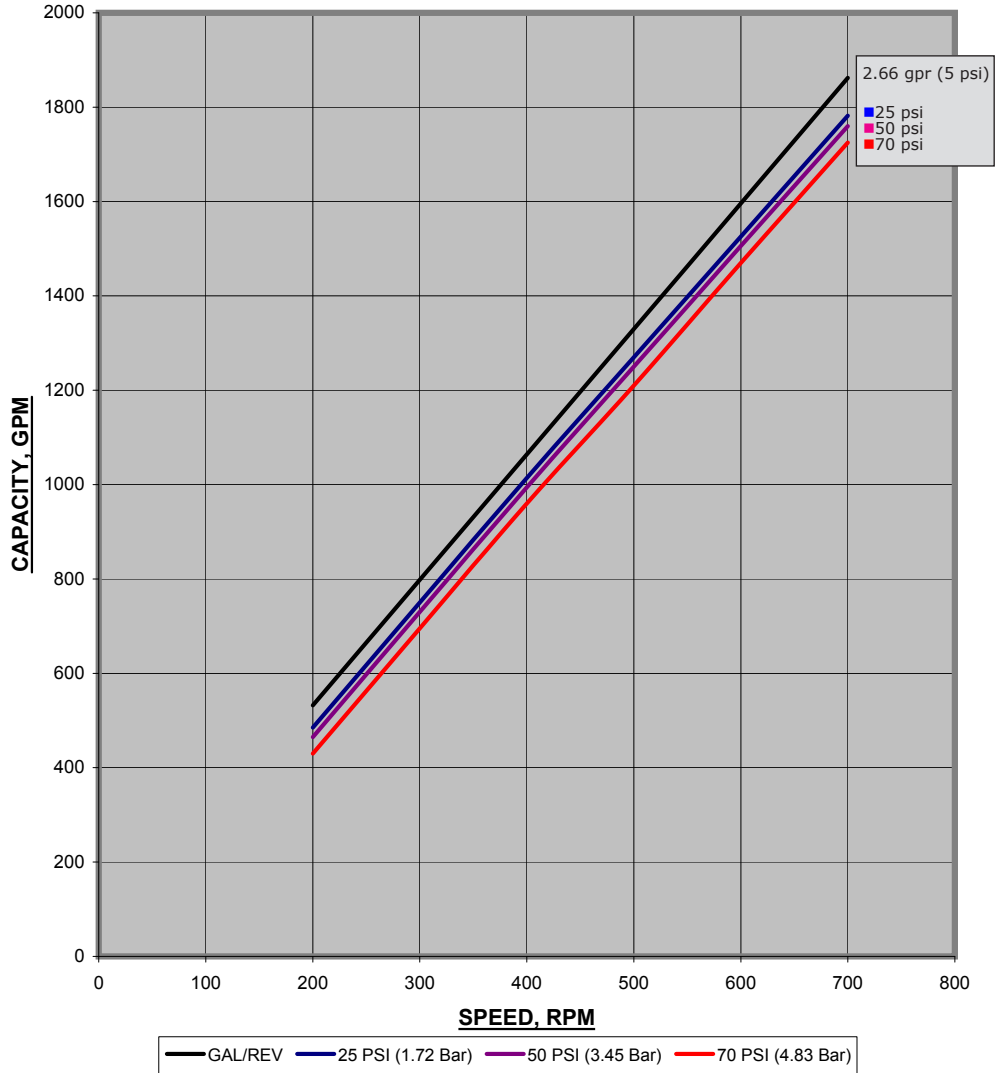
Gear Material: AGMA Class 8, SAE 1045

Warranty: One year 100% standard warranty. Our warranty covers parts and labor, including wear for a period of 12 months.



Rotary Lobe Pump LobeStar RL266

LOBESTAR RL266 PERFORMANCE CURVE



HORSEPOWER REQUIREMENT

