

# SPECIFICATION SHEET: 45 PUMP SERIES

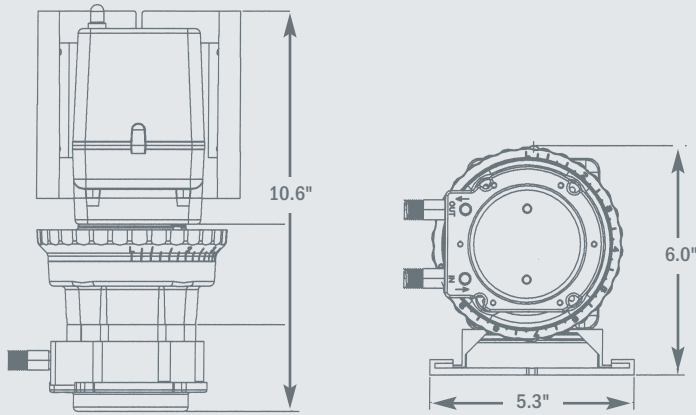
# STENNER PUMPS

## SINGLE HEAD ADJUSTABLE OUTPUT



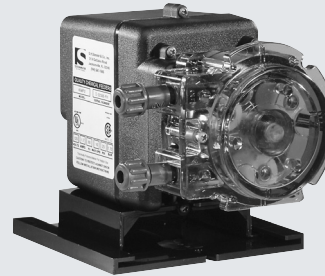
### MODELS

- 45MHP2      · 45M1
- 45MHP10    · 45M2
- 45MHP22    · 45M3
- 45M4
- 45M5



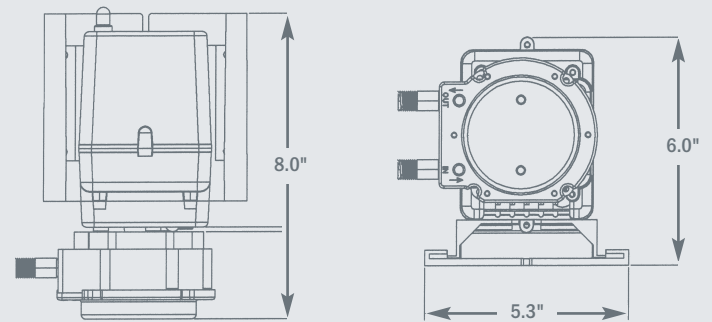
SHIPPING WEIGHT 8 lbs (3.6 kg)

## SINGLE HEAD FIXED OUTPUT

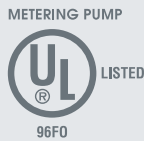


### MODELS

- 45MPHP2     · 45MP1
- 45MPHP10   · 45MP2
- 45MPHP22   · 45MP3
- 45MP4
- 45MP5



SHIPPING WEIGHT 6 lbs (2.7 kg)



SANITATION LISTED  
**CONFORMS TO  
 STD. NSF-50**  
 CIRCULATION SYSTEM  
 COMPONENTS FOR SWIMMING  
 POOLS, SPAS, OR HOT TUBS



THIS PRODUCT HAS BEEN  
 TESTED AND CERTIFIED BY  
 THE WATER QUALITY ASSOCIATION  
 ACCORDING TO NSF/ANSI 61 FOR  
 MATERIALS SAFETY ONLY.

PRODUCT LISTINGS VARY BY MODEL. CONTACT FACTORY FOR DETAILS.

### FEATURES

- Positive displacement pump
- 3-point roller design assists in anti-siphon protection.
- Pump head requires no valves, allows for easy maintenance.
- Self-priming against maximum working pressure, foot valve not required.
- Pump does not lose prime or vapor lock.
- Pumps off-gassing solutions and can run dry.
- Output volume is not affected by back pressure.
- Injection check valve included w/45MHP & 45MPHP models.
- Easy to change pump tube; lubrication is not required.
- Pump tubes and pump heads interchange between models.
- Models tested by WQA to conform to ANSI/NSF STD 61.
- Models tested by ETL to conform to ANSI/NSF STD 50.
- All pump accessories included allow a fast and easy installation.



3174 DeSalvo Road  
 Jacksonville, Florida 32246  
 Phone 904.641.1666  
 US Toll Free 800.683.2378  
 Fax 904.642.1012

www.stenner.com  
 sales@stenner.com

Hours of Operation (EST)  
 Mon. - Fri. 7:00 am - 5:30 pm

© Stenner Pump Company  
 All Rights Reserved

# SPECIFICATION SHEET: 45 PUMP SERIES

# STENNER PUMPS

## SPECIFICATIONS

### OUTPUT RANGE

adjustable models only, 5%-100%,  
2.5% increments

### MAXIMUM WORKING PRESSURE

**100psi (1.7 bar) for the following models**

45MHP2, 45MHP10, 45MHP22  
45MPHP2, 45MPHP10, 45MPHP22

**25 psi (6.9 bar) for the following models**

45M1, 45M2, 45M3, 45M4, 45M5  
45MP1, 45MP2, 45MP3, 45MP4, 45MP5

### MAXIMUM AMBIENT and FLUID TEMPERATURE

125°F (52° C)

### MAXIMUM SUCTION LIFT

25' vertical lift

### MOTOR TYPE

1/30 HP, shaded pole, class B

### FINAL MOTOR RPM

26

### DUTY CYCLE

Continuous

### MOTOR VOLTAGE (AMP DRAW)

120V 60Hz 1PH (1.7)  
220V 60Hz 1PH (0.9)  
230V 50Hz 1PH (0.9) International  
250V 50Hz 1PH (0.9) International

### POWER CORD PLUG END

120V 60Hz – NEMA 5/15, 230V 50Hz – CEE 7/VII  
220V 60Hz – NEMA 6/15, 250V 50Hz – CEE 7/VII

### WET END COMPONENTS

#### PERISTALTIC TUBE

Santoprene® \*FDA approved  
optional Tygothane®\*\* FDA approved

#### TUBE FITTINGS, COMPRESSION NUTS

Type 1 rigid PVC-NSF listed

#### SUCTION STRAINER & WEIGHT

Type 1 rigid PVC body, ceramic weight – NSF listed

#### SUCTION/DISCHARGE TUBING & FERRULES

LDPE polyethylene, NSF and FDA approved

#### CHECK VALVE (injection fitting & body)

Type 1 rigid PVC-NSF listed

#### CHECK VALVE DUCKBILL

Santoprene®\* FDA Approved  
Pellathane®† (w/Tygothane® tube)

### OTHER COMPONENTS

#### ALL PUMP HOUSINGS

GE Lexan®†† Polycarbonate

#### PUMP HEAD ROLLERS

LDPE

### ROLLER BUSHINGS

Bronze Oilite

### ALL FASTENERS

Stainless Steel

### POWER CORD TYPE

SJTOW

\*Santoprene® is a registered trademark of Advanced Elastomer System.

\*\*Tygothane® is a registered trademark of Saint-Gobain Performance Plastics.

†Pellathane® is a registered trademark of The Dow Company, Midland, MI.

††Lexan® is a registered trademark of General Electric. Consult General Electric for chemical resistance of Lexan®.

### ACCESSORY KIT SHIPPED WITH EACH PUMP

- 3 connecting nuts (1/4" or 3/8")
- 3 ferrules w/1/4" & 6mm OR 2 ferrules w/3/8"
- 1 injection check valve (100 psi) OR (1) injection fitting (25 psi)
- 1 weighted suction line strainer
- 1 20' roll of suction/discharge tubing 1/4" or 3/8" in white or UV black 6 mm Europe tubing in white only
- 1 spare pump tube
- 1 mounting bracket
- 1 manual

## 45 SERIES PUMP ADJUSTABLE OUTPUT

Single Head Model	Maximum Pressure	Pump Tube Number	Approximate Output @ 60 Hz						Approximate Output @ 50 Hz		
			gallons per day	liters per day	gallons per hour	liters per hour	ounces per minute	milliliters per minute	liters per day	liters per hour	milliliters per minute
45MHP2* 45M1	100 psi (6.9 bar) 25 psi (1.7 bar)	#1 #1	0.2 to 3.0	0.8 to 11.4	0.01 to 0.13	0.03 to 0.48	0.02 to 0.27	0.56 to 7.92	0.6 to 9.1	0.03 to 0.38	0.31 to 6.32
45MHP10* 45M2	100 psi (6.9 bar) 25 psi (1.7 bar)	#2 #2	0.5 to 10.0	1.9 to 37.9	0.02 to 0.42	0.08 to 1.58	0.04 to 0.89	1.32 to 26.32	1.5 to 30.3	0.06 to 1.26	1.04 to 21.04
45MHP22* 45M3	100 psi (6.9 bar) 25 psi (1.7 bar)	#7 #3	1.1 to 22.0	4.2 to 83.3	0.05 to 0.92	0.18 to 3.47	0.10 to 1.96	2.92 to 57.85	3.3 to 66.6	0.14 to 2.78	2.29 to 46.25
45M4	25 psi (1.7 bar)	#4	1.7 to 35.0	6.4 to 132.5	0.07 to 1.46	0.27 to 5.52	0.15 to 3.11	4.44 to 92.01	5.1 to 106.0	0.21 to 4.42	3.54 to 73.61
45M5	25 psi (1.7 bar)	#5	2.5 to 50.0	9.5 to 189.3	0.10 to 2.08	0.40 to 7.89	0.22 to 4.44	6.60 to 131.46	7.6 to 151.4	0.32 to 6.31	5.28 to 105.14

The dial ring for adjustable pumps is marked L-10; L=5%, 1-10 indicates 10% increments of maximum output.

## 45 SERIES PUMP FIXED OUTPUT

Single Head Model	Maximum Pressure	Pump Tube Number	Approximate Output @ 60 Hz						Approximate Output @ 50 Hz		
			gallons per day	liters per day	gallons per hour	liters per hour	ounces per minute	milliliters per minute	liters per day	liters per hour	milliliters per minute
45MPHP2* 45MP1	100 psi (6.9 bar) 25 psi (1.7 bar)	#1 #1	3.0	11.4	0.13	0.48	0.27	7.92	9.1	0.38	6.32
45MPHP10* 45MP2	100 psi (6.9 bar) 25 psi (1.7 bar)	#2 #2	10.0	37.9	0.42	1.58	0.89	26.32	30.3	1.26	21.04
45MPHP22* 45MP3	100 psi (6.9 bar) 25 psi (1.7 bar)	#7 #3	22.0	83.3	0.92	3.47	1.96	57.85	66.6	2.78	46.25
45MP4	25 psi (1.7 bar)	#4	35.0	132.5	1.46	5.52	3.11	92.01	106.0	4.42	73.61
45MP5	25 psi (1.7 bar)	#5	50.0	189.3	2.08	7.89	4.44	131.43	151.4	6.31	105.14

\*pump supplied with injection check valve for 26-100 psi applications

**NOTICE:** The information within this chart is solely intended for use as a guide. The output data is an approximation based on pumping water under a controlled testing environment. Many variables can affect the output of the pump. Stenner Pump Company recommends that all metering pumps undergo field calibration by means of analytical testing to confirm their outputs.