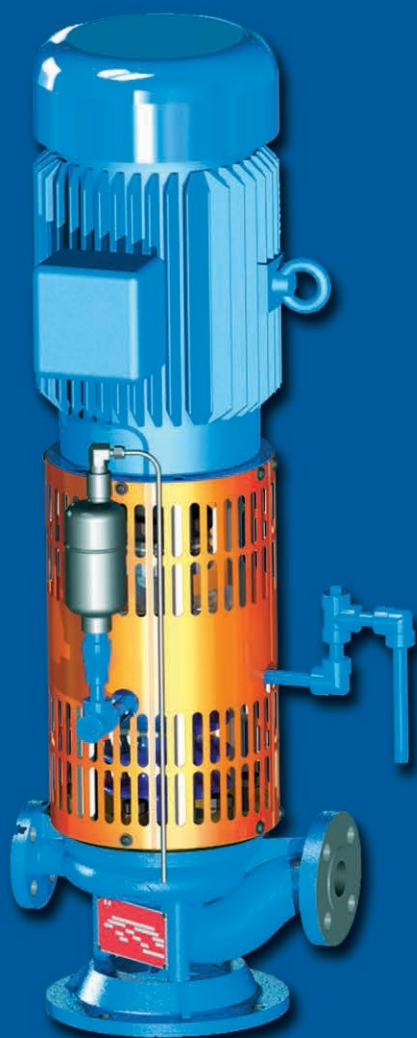


CECO Dean

Dean Pump[®] High Temperature

Air-Cooled Vertical Inline Pumps



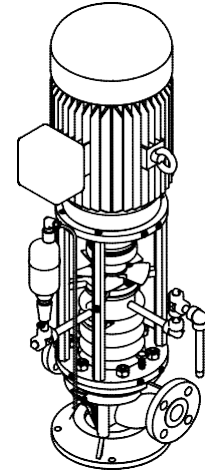
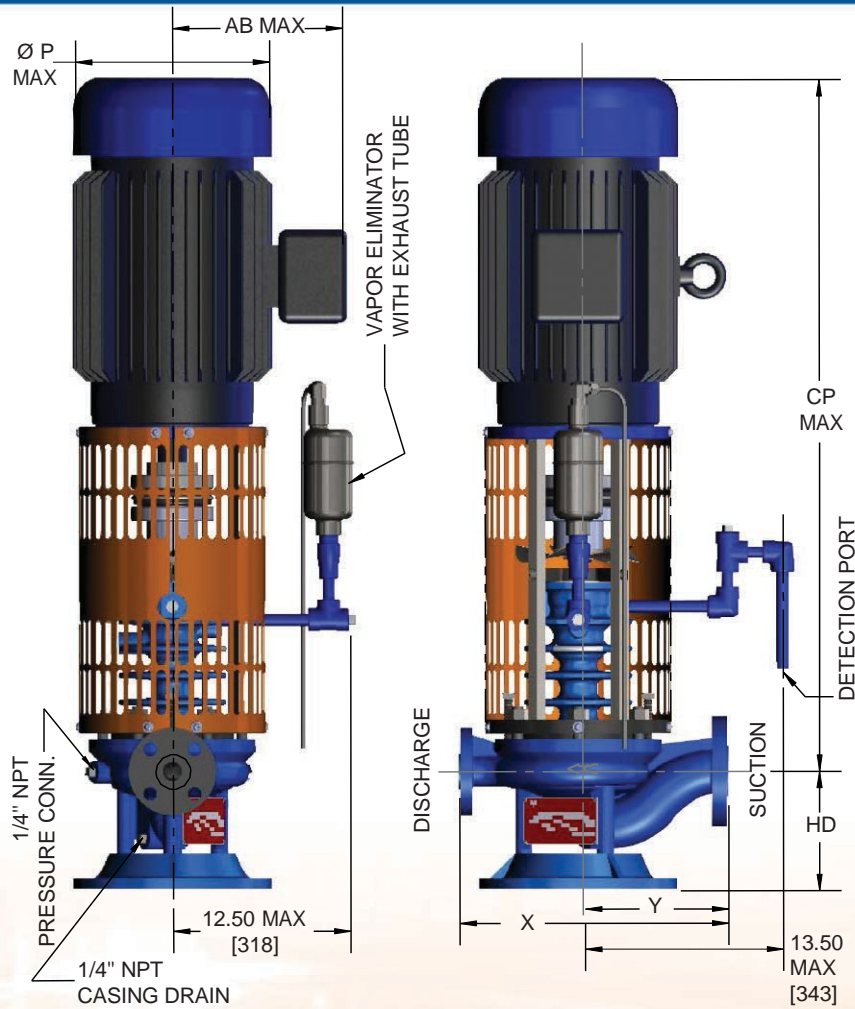
RAV 3096
RAV 3146



RWAV 4096
RWAV 4166

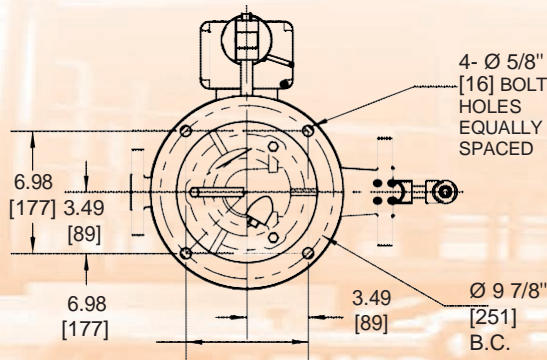


DEAN PUMP® RAV 3096/RAV3146 SERIES



The RAV, designed specifically for use with hot oil, features three pump sizes (in ductile iron construction), capacities to 360 GPM (82 m³/hr), heads to 320 feet (98 m), maximum working pressures to 350 psig (2413 kPa), and maximum pumping temperatures to 650° F (343° C).

FLANGES		
ANSI CLASS	FACING	FINISH
300	RAISED	125Ra



RAV 3096			
MOTOR FRAME	P	CP	AB
143TC	6.69 (170)	31.27 (794)	6.92 (176)
145TC	6.69 (170)	32.41 (823)	6.92 (176)
182TC	8.03 (204)	33.91 (861)	7.81 (198)
184TC	8.03 (204)	35.21 (894)	7.81 (198)
213TC	9.69 (246)	36.24 (921)	8.69 (221)
215TC	9.69 (246)	36.56 (929)	8.69 (221)
254TC	13.44 (341)	41.28 (1049)	11.19 (284)
256TC	13.44 (341)	41.28 (1049)	11.19 (284)

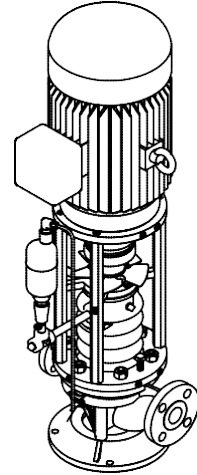
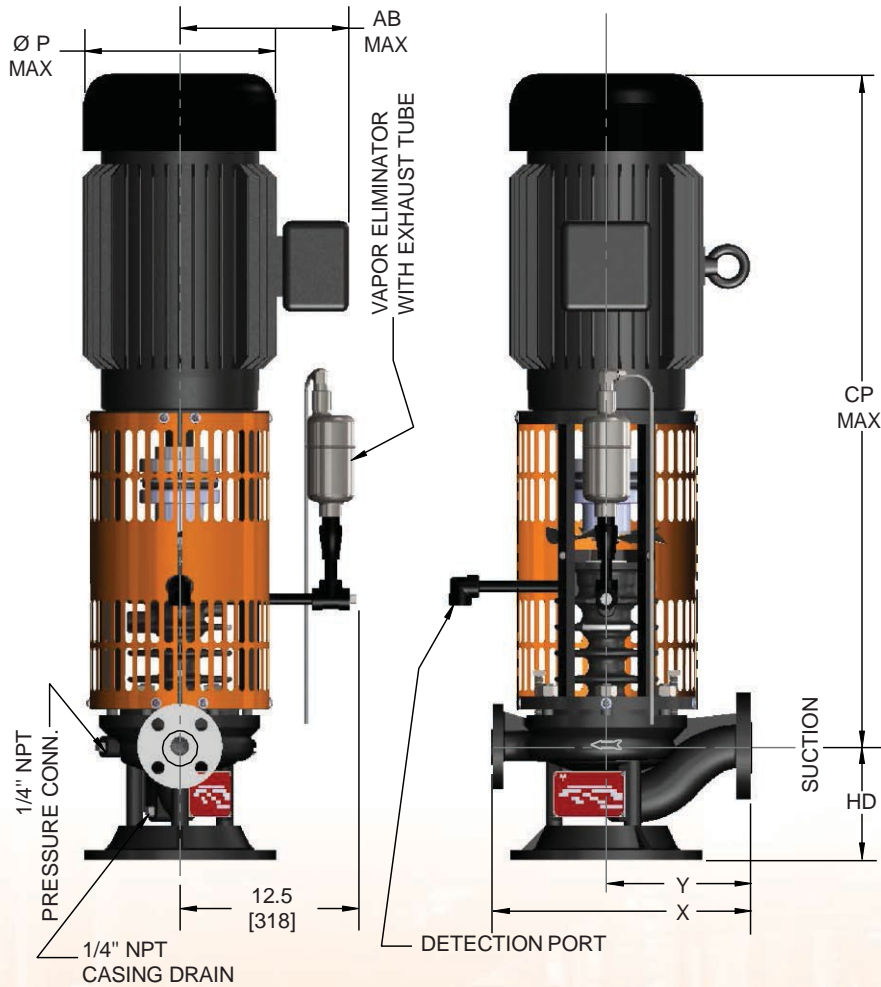
RAV 3146			
MOTOR FRAME	P	CP	AB
143TC	6.69 (170)	35.70 (907)	6.92 (176)
145TC	6.69 (170)	36.84 (936)	6.92 (176)
182TC	8.03 (204)	38.34 (974)	7.81 (198)
184TC	8.03 (204)	39.64 (1007)	7.81 (198)
213TC	9.96 (246)	40.67 (1033)	8.69 (221)
215TC	9.96 (246)	40.99 (1041)	8.69 (221)
254TC	13.44 (341)	41.28 (1049)	11.19 (284)
256TC	13.44 (341)	41.28 (1049)	11.19 (284)
284TC	14.63 (372)	46.76 (1188)	13.13 (334)
286TC	14.63 (372)	46.76 (1188)	13.13 (334)

All dimensions are in inches and (millimeters).

GENERAL TABLE														
PUMP SERIES	PUMP SIZE	DISCHARGE					SUCTION					X	Y	HD
		DISCHARGE SIZE	DISCHARGE O.D.	DISCHARGE THICKNESS	DISCHARGE B.C.	DISCHARGE BOLTS	SUCTION SIZE	SUCTION O.D.	SUCTION THICKNESS	SUCTION B.C.	SUCTION BOLTS			
RAV3096	1x1-1/2x6	1.00 (25)	4.875 (124)	.69 MIN (18)	3.50 (89)	(4) - 5/8"	1.50 (38)	6.12 (155)	.81 MIN (21)	4.50 (114)	(4) - 3/4"	14.96 (380)	8.34 (212)	6.56 (167)
RAV3096	1x1-1/2x8	1.00 (25)	4.875 (124)	.69 MIN (18)	3.50 (89)	(4) - 5/8"	1.50 (38)	6.12 (155)	.81 MIN (21)	4.50 (114)	(4) - 3/4"	16.93 (430)	9.81 (249)	6.75 (171)
RAV3096	1-1/2x3x6	1.50 (38)	6.12 (156)	.81 MIN (21)	4.50 (114)	(4) - 3/4"	3.00 (76)	8.25 (210)	1.12 MIN (28)	6.62 (168)	(8) - 3/4"	14.96 (380)	8.34 (212)	7.87 (200)
RAV3146	1x3x8-1/2	1.00 (25)	4.875 (124)	.69 MIN (18)	3.50 (89)	(4) - 5/8"	3.00 (76)	8.25 (210)	1.12 MIN (28)	6.62 (168)	(8) - 3/4"	18.9 (480)	11.34 (288)	7.87 (200)
RAV3146	1-1/2x3x8-1/2	1.50 (38)	6.12 (156)	.81 MIN (21)	4.50 (114)	(4) - 3/4"	3.00 (76)	8.25 (210)	1.12 MIN (28)	6.62 (168)	(8) - 3/4"	18.9 (480)	10.9 (277)	7.87 (200)
RAV3146	2x3x8-1/2	2.00 (51)	6.50 (165)	.88 MIN (22)	5.00 (127)	(8) - 5/8"	3.00 (76)	8.25 (210)	1.12 MIN (28)	6.62 (168)	(8) - 3/4"	20.08 (510)	12.08 (307)	7.87 (200)

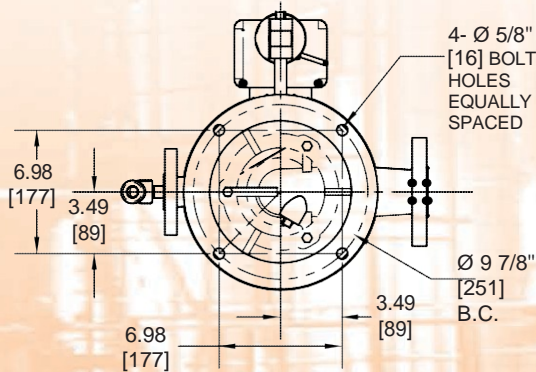
All dimensions are in inches and (millimeters).

DEAN PUMP® RWAV 4096/4166 SERIES



The RWAV, designed specifically for use with hot water, ethylene glycol and propylene glycol, features the same sizes, capacities and heads as the RAV, but with pressures to 450 psig (3103 kPa), and temperatures to 400° F (204° C).

FLANGES		
ANSI CLASS	FACING	FINISH
300	RAISED	125Ra



RWAV 4096			
MOTOR FRAME	P	CP	AB
143TC	6.69 (170)	31.27 (794)	6.92 (176)
145TC	6.69 (170)	32.41 (823)	6.92 (176)
182TC	8.03 (204)	33.91 (861)	7.81 (198)
184TC	8.03 (204)	35.21 (894)	7.81 (198)
213TC	9.69 (246)	36.24 (921)	8.69 (221)
215TC	9.69 (246)	36.56 (929)	8.69 (221)
254TC	13.44 (341)	41.28 (1049)	11.19 (284)
256TC	13.44 (341)	41.28 (1049)	11.19 (284)

RWAV 4166			
MOTOR FRAME	P	CP	AB
143TC	6.69 (170)	35.70 (907)	6.92 (176)
145TC	6.69 (170)	36.84 (936)	6.92 (176)
182TC	8.03 (204)	38.34 (974)	7.81 (198)
184TC	8.03 (204)	39.64 (1007)	7.81 (198)
213TC	9.96 (246)	40.67 (1033)	8.69 (221)
215TC	9.96 (246)	40.99 (1041)	8.69 (221)
254TC	13.44 (341)	41.28 (1049)	11.19 (284)
256TC	13.44 (341)	41.28 (1049)	11.19 (284)
284TC	14.63 (372)	46.76 (1188)	13.13 (334)
286TC	14.63 (372)	46.76 (1188)	13.13 (334)

All dimensions are in inches and (millimeters).

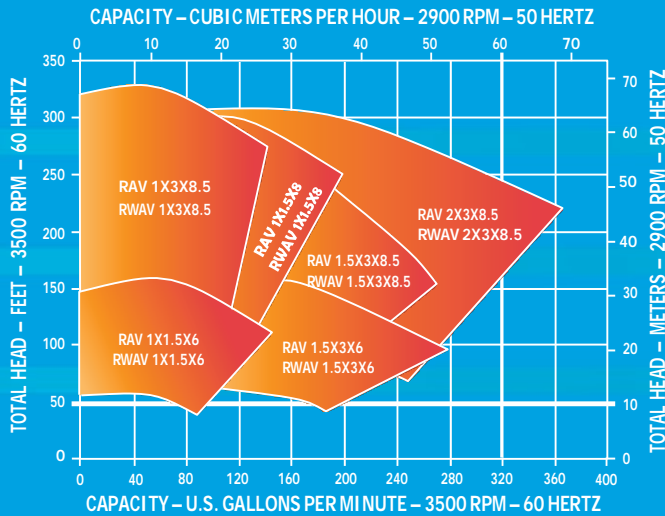
GENERAL TABLE														
PUMP SERIES	PUMP SIZE	DISCHARGE					SUCTION					X	Y	HD
		DISCHARGE SIZE	DISCHARGE O.D.	DISCHARGE THICKNESS	DISCHARGE B.C.	DISCHARGE BOLTS	SUCTION SIZE	SUCTION O.D.	SUCTION THICKNESS	SUCTION B.C.	SUCTION BOLTS			
RWAV4096	1x 1-1/2x6	1.00 (25)	4.875 (124)	.69 MIN (18)	3.50 (89)	(4) - 5/8"	1.50 (38)	6.12 (155)	.81 MIN (21)	4.50 (114)	(4) - 3/4"	14.96 (380)	8.34 (212)	6.56 (167)
RWAV4096	1x 1-1/2x8	1.00 (25)	4.875 (124)	.69 MIN (18)	3.50 (89)	(4) - 5/8"	1.50 (38)	6.12 (155)	.81 MIN (21)	4.50 (114)	(4) - 3/4"	16.93 (430)	9.81 (249)	6.75 (171)
RWAV4096	1-1/2x3x6	1.50 (38)	6.12 (156)	.81 MIN (21)	4.50 (114)	(4) - 3/4"	3.00 (76)	8.25 (210)	1.12 MIN (28)	6.62 (168)	(8) - 3/4"	14.96 (380)	8.34 (212)	7.87 (200)
RWAV4166	1x3x8-1/2	1.00 (25)	4.875 (124)	.69 MIN (18)	3.50 (89)	(4) - 5/8"	3.00 (76)	8.25 (210)	1.12 MIN (28)	6.62 (168)	(8) - 3/4"	18.9 (480)	11.34 (288)	7.87 (200)
RWAV4166	1-1/2x3x8-1/2	1.50 (38)	6.12 (156)	.81 MIN (21)	4.50 (114)	(4) - 3/4"	3.00 (76)	8.25 (210)	1.12 MIN (28)	6.62 (168)	(8) - 3/4"	18.9 (480)	10.9 (277)	7.87 (200)
RWAV4166	2x3x8-1/2	2.00 (51)	6.50 (165)	.88 MIN (22)	5.00 (127)	(8) - 5/8"	3.00 (76)	8.25 (210)	1.12 MIN (28)	6.62 (168)	(8) - 3/4"	20.08 (510)	12.08 (307)	7.87 (200)

All dimensions are in inches and (millimeters).

HEAD/CAPACITY RANGE CHARTS

APPLICATIONS

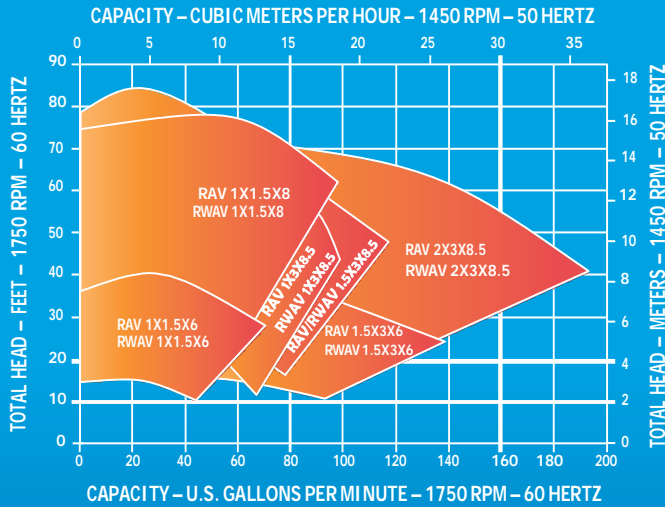
TWO POLE MOTOR



Both RAV and RWAV pumps are ideal choices for applications including:

- Boiler Feed
- Steam Condensate Return
- HVAC
- Heat Transfer
- Hot Oil
- Hot Water

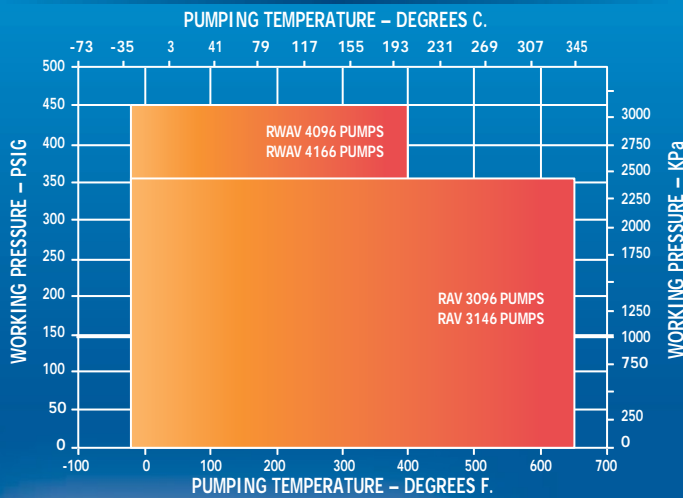
FOUR POLE MOTOR



ABOUT CECO ENVIRONMENTAL PUMP SOLUTIONS

Our Fluid Handling Solutions segment combines the resources of our four internationally recognized comprehensive lines of high-quality filters and pumps: Dean Pump, Fybroc, Mefiag and Sethco. Our Dean, Fybroc, and Sethco pumps are designed to handle the niches of corrosive, abrasive, or high temperature liquids. These pumps provide excellent performance for tough applications including pumping of acids, brines, caustics, bleaches, seawater, high temperature liquids and a wide variety of waste liquids for a broad range of applications including the chemical, petrochemical, metal finishing, wastewater treatment, desalination and aquarium/aquaculture markets. For more information, visit www.cecoenviro.com.

WORKING PRESSURE VS. PUMPING TEMPERATURE



ABOUT CECO ENVIRONMENTAL

CECO Environmental is a Global Leader in air quality and fluid handling in regions around the world providing innovative technology and application expertise to customers across a variety of industries.

CECO Dean Pump

6040 Guion Road • Indianapolis, IN 46254
 P: 317.293.2930 • TOLL-FREE: 800.801.9265 • F: 317.297.7028
infoFHS@onececo.com • <https://www.cecoenviro.com/dean-pump>

