



FLOMATIC® VALVES

High Quality Valves Built To Last...



SWING CHECK VALVES

745 FLO-FLEX®

ANSI/AWWA C508

MODELS 745, 745BF, 745PI, 745BFPI, 745LS

Manufacturer under a certified ISO 9001-2015 and
ISO 14001-2015 quality and environmental systems

Flo-Flex® Model 745 Swing Check Valve

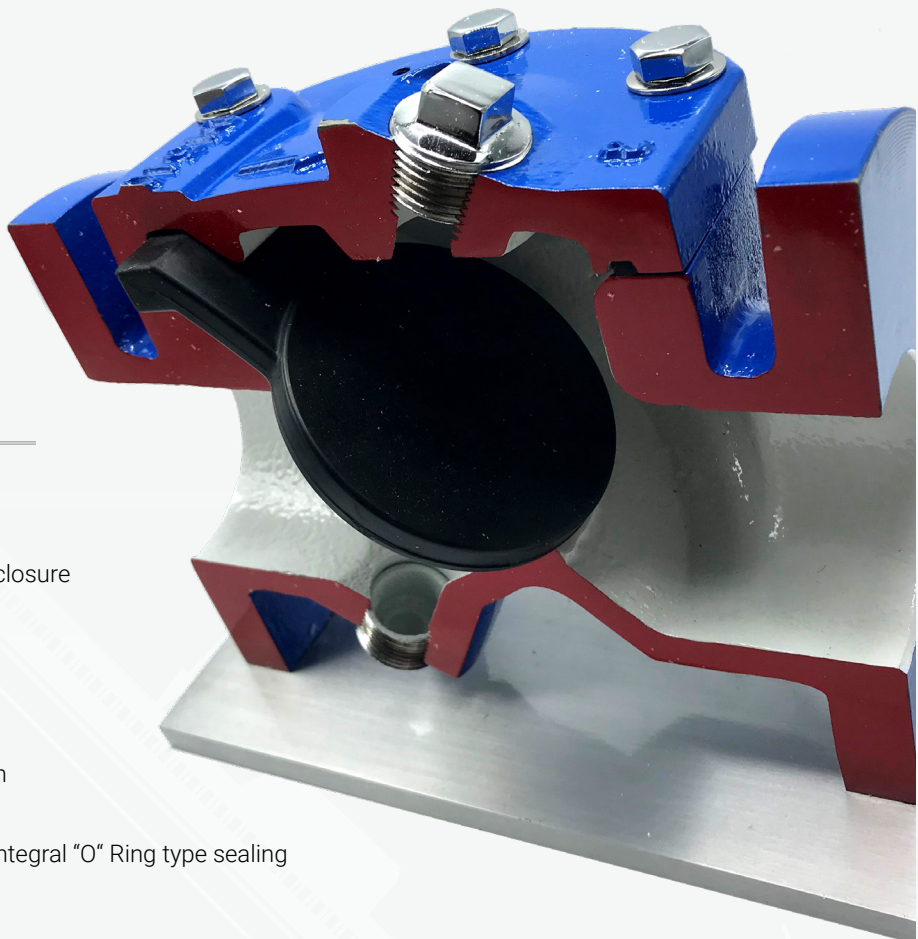
The Model 745 is a proven member of the growing Flo-Flex® family of our rubber disc swing check valves. Flo-Flex® provides the water and wastewater industry one of the broadest line of flexible rubber disc swing checks available on the market today. The flange to flange lay length is according to ANSI/AWWA C508-01.

FOR INDUSTRIAL AND MUNICIPAL APPLICATIONS

- When a tight seal is critical
- Minimize system pressure drop
- Ideal in system where flow is constant
- When horizontal or vertical line installation is required
- Where In-line maintenance is a must

FEATURES & BENEFITS

- Fusion Bonded Epoxy Coated Inside / Outside
- Flange to flange dimension according to AWWA 508-01
- 45° angle valve seat - Short disc travel allows for faster closure
- Valve body flow area equal to nominal pipe area
- Low headloss
- Long rubber disc life - 25 year warranty
- Easy in-line serviceability
- Can be installed in vertical flow up or horizontal direction
- Reinforced steel/ductile iron valve disc
- Precision molded valve disc of one piece construction, integral "O" Ring type sealing
- Can be used as pipe line clean-out



**NOW INTRODUCING FLOMATIC'S NEW AIS SWING CHECK VALVE SERIES
745 FLO-FLEX® AIS COMPLIANT -**



AMERICAN IRON AND STEEL (AIS) COMPLIANT

Flomatic's Flo-Flex® AIS Compliant Model 745 include all the same features as the regular Model 745 with additional benefits: Raised body bosses - drilled, tapped, and plugged for easy installation of gauges or accessories.

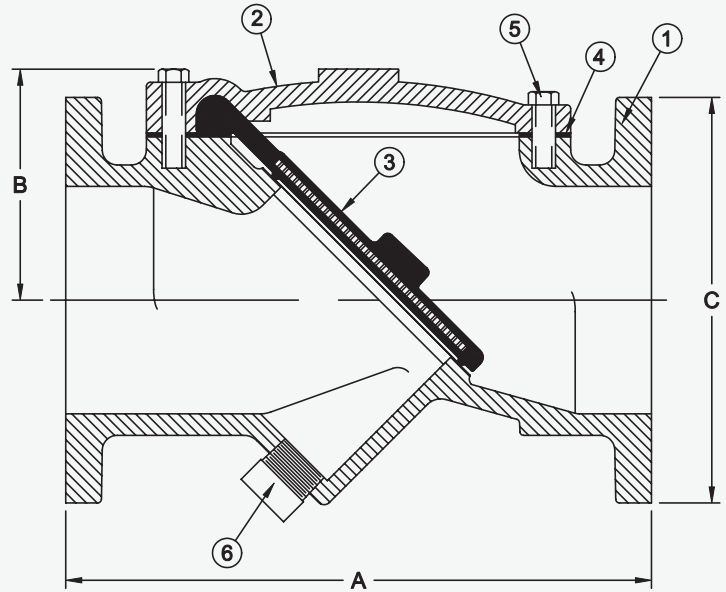


MATERIALS OF CONSTRUCTION

MODEL 745 - 2" THRU 24"

ITEM	QTY.	DESCRIPTION	MATERIAL	ASTM#
1	1	Valve Body (Epoxy Coated)	Ductile Iron	A536
2	1	Cover	Ductile Iron	A536
3	1	Disc*	Buna Coated Steel	-----
4	1	Gasket	Buna	-----
5	A/R	Cover Bolt	Steel	SAE Grade 5
6	1	Plug	Malleable Iron	-----

* Optional EPDM or Viton Coated Steel



MODEL 745

45° Seat Flo-Flex®, Swing Check Valve Epoxy Coated Ductile Iron Body. ANSI B16.1, Class 150, ANSI/AWWA C508, with Buna-N Coated Disc.



TEMP MAX: 140°F (60°C)



PRESSURE MAX: 250 PSI



SIZES: 2" THRU 24"

DIMENSIONS

SIZE		PART #	A		B		C		WEIGHT	
INCH	MM		INCH	MM	INCH	MM	INCH	MM	LBS	KG
2"	50	2380	8"	203	3 3/8"	86	6"	152	27	12
2 1/2"	65	2381	8 1/2"	216	3 3/8"	86	7"	178	35	16
3"*	80	2382*	9 1/2"	241	3 7/8"	98	7 1/2"	191	40	18
4"*	100	2383*	11 1/2"	292	4 5/8"	117	9"	229	68	31
6"	150	2385	15"	381	5 7/8"	149	11"	279	128	58
8"	200	2386	19 1/2"	495	7 5/8"	194	13 1/2"	343	235	107
10"	250	2387	24 1/2"	622	9 7/8"	251	16"	406	380	173
12"	300	2388	27 1/2"	699	11 3/8"	289	19"	483	620	281
14"	350	2390	31"	787	13 3/8"	240	21"	533	740	336
16"	400	2391	32"	813	15 3/8"	391	23 1/2"	597	1035	470
18"	450	2392	36"	914	17 1/8"	435	25"	635	1540	699
20"	500	2393	40"	1016	19 1/8"	486	27 1/2"	699	1835	832
24"	600	2394	48"	1219	22 3/4"	578	32"	813	2475	1123

* AIS MODEL AVAILABLE - CONSULT FACTORY FOR PART NUMBER

Full compliance with the American Iron & Steel (AIS) provisions for affected Federal/State Revolving Fund projects



MODEL 745 BF

OPTIONAL BACKFLOW DEVICE

The valve body is drilled and tapped at the bottom of the valve for installation of a backflow device. Manually operated, this actuator is used when backflow, pump priming, line draining or system tests are required. This option can be factory installed or added in the field.



TEMP MAX: 140°F (60°C)



PRESSURE MAX: 250 PSI



SIZES: 2" THRU 24"



MODEL 745 PI

OPTIONAL DISC POSITION INDICATOR

Installed by the factory or in the field, the disc position indicator provides visual indication of the disc location during operation or shut down. The 745's top cover is drilled and tapped for installation of the indicator.



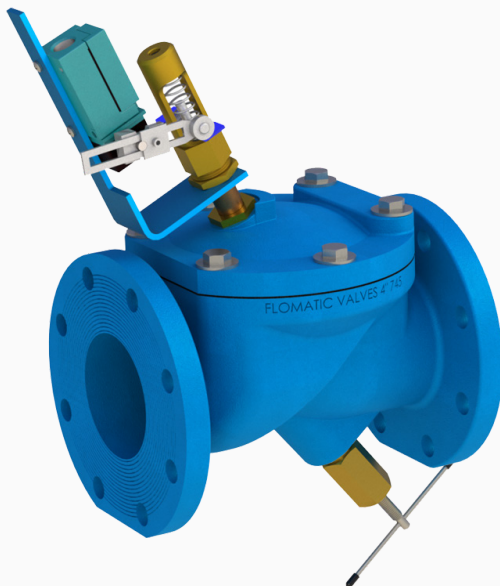
TEMP MAX: 140°F (60°C)



PRESSURE MAX: 250 PSI



SIZES: 2" THRU 24"



MODEL 745 BFPI

OPTIONAL BACKFLOW DEVICE & DISC POSITION INDICATOR

Model 745 BFPI swing check valve provides both options; backflow device and position indicator. Each device can be installed at the time of purchase or added to the valve in the field.



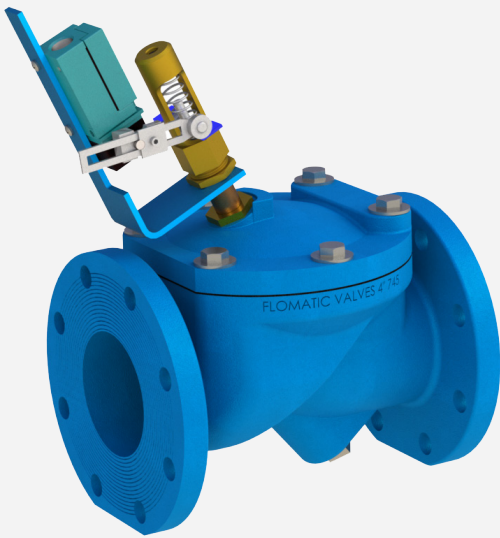
TEMP MAX: 140°F (60°C)



PRESSURE MAX: 250 PSI



SIZES: 2" THRU 24"



MODEL 745 LS

WITH LIMIT SWITCH (SPDT)

The 745 LS swing check valve provides an adjustable limit switch option for pump operation.



TEMP MAX: 140°F (60°C)



PRESSURE MAX: 250 PSI



SIZES: 2" THRU 24"



MODEL 745 AIS

AIS COMPLIANT FLO-FLEX® - NEW MODEL

Flomatic's Flo-Flex® AIS Compliant Model 745 include all the same features as the regular Model 745 with additional benefits: Raised body bosses - drilled, tapped, and plugged for easy installation of gauges or accessories.



TEMP MAX: 140°F (60°C)



PRESSURE MAX: 250 PSI



SIZES: 3" THRU 12"



MODEL 745 ASC

SURGE-STOPPER® WITH ADJUSTABLE SPRING CLOSURE - PATENTED

Model 745 ASC - Surge Stopper is a must. Designed for high head, long pipe lines when fast acting disc closure is required. Patented spring closure design is field adjustable. Several spring configurations available.



TEMP MAX: 140°F (60°C)



PRESSURE MAX: 250 PSI



SIZES: 2" THRU 24"

FLOMATIC® VALVES

Since 1933, Manufacturing
The Most Complete Line of Swing Check Valves for Water and Wastewater
in The United States



FIND OUR COMPLETE VALVE OFFERING AT
WWW.FLOMATIC.COM

FLOMATIC CORPORATION

15 Pruyn's Island Drive,
Glens Falls, New York 12801-4421
Phone: (800) 833-2040
Fax: (800) 314-3155

WWW.FLOMATIC.COM

LIMITED ONE YEAR WARRANTY: The Flomatic Corporation warrants that its Swing Check Valves in all sizes are free from defects in materials and workmanship. Flomatic will replace any valve covered by this warranty found to be defective within one year from time of sale. This warranty will be void if the product has been modified in any way by the purchaser, or is subject to unreasonable use.

